

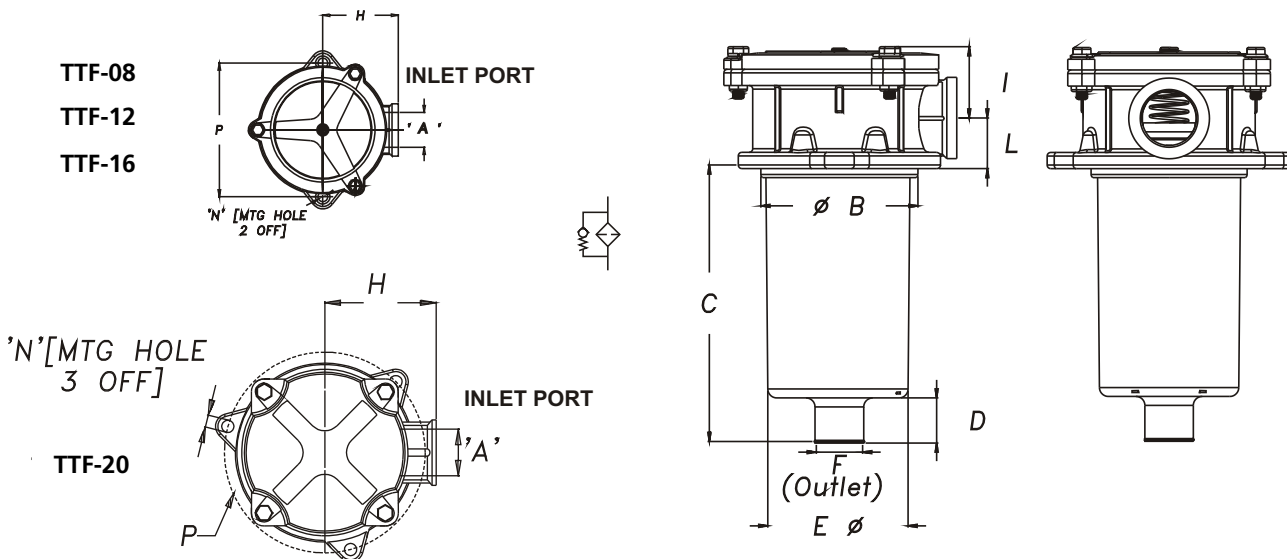


Reservoir Accessories

FILTER - TANK IMMERSED-TIFP

Specification:

- Pressure - max. 7 bar/test 12 bar/burst 16 bar
- Aluminium diecast body housing/polyamide G.F. bowl
- 5 - sizes flows to 175 LPM
- By pass standard 1 bar
- Elements replaceable through cover
- Suitable for mineral/petroleum based oils
- Max. Temperature 80°C



MODEL	PORT 'A' BSPP	B	C	D	E	PORT 'F' Dia	H	I	L	NΦ	P	WT KGS
TTF-08	1 / 2"	68	89	15	58	19	53	27	24	7.0	90	0.50
TTF-12	3 / 4"	87	104	25	78	22	65	36	28	8.5	115	0.90
TTF-16	1"	87	153	25	78	22	65	36	28	8.5	115	1.05
TTF-20	1 - 1 / 4"	129	278	40	110	39	97	47	37	10.5	175	2.70