

Mountable Steel Air Hose Reel

CONAH



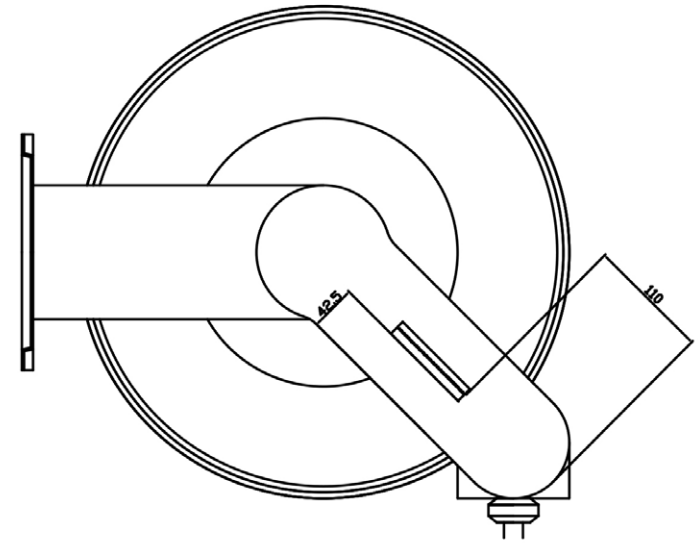
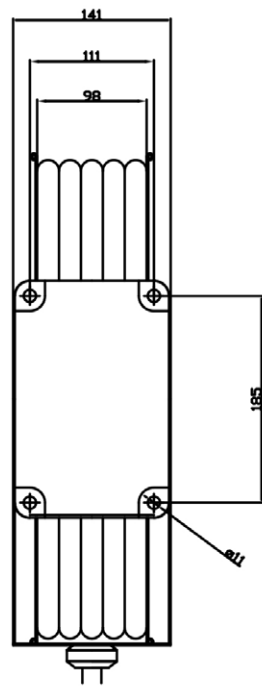
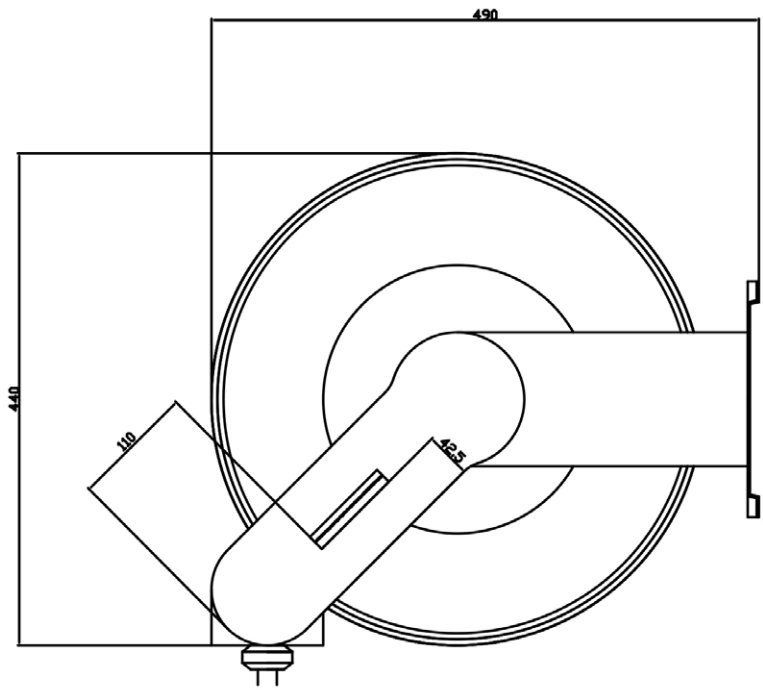
Features

- Heavy ribbed steel plate
- Spring located in the centre
- Four-direction non-snap hose rollers
- Adjustable arm guide
- Elegant appearance, dual pedestal base
- Special swivel joint
- Ball bearing swivel joint structure
- Corrosion-resistant powder coating

Benefits

- Strong support
- Ensures reel stability
- Reduces hose wear
- Enables wall, floor, ceiling and pit mounting
- Versatile usage
- Easy maintenance and repair
- Reduces friction, extending service life
- Used in most environments

Air Hose Reel	
SAHR-15-38SRT06F	
Hose material	Synthetic rubber
Hose working length	15m
Hose internal bore	3/8"
Inlet	3/8" BSP female
Outlet	3/8" BSP female
Maximum working pressure	20 bar (290 psi)



UNLESS OTHERWISE STATED		NAME	DATE	TITLE
DIMENSIONS IN MM	DRAWN	DB	14032013	CONAH HOSE REEL
TOLERANCES	CHECKED			
FRACTIONAL +/- 0.10	ENG APP			
2 DECIMAL PLACE +/- 0.1	MFG APP			SIZE DWG NO
MATERIAL		GA		A SAHR-15-38
COMMENTS				
SCALE	1:1	WEIGHT		SHEET 1 OF 1