

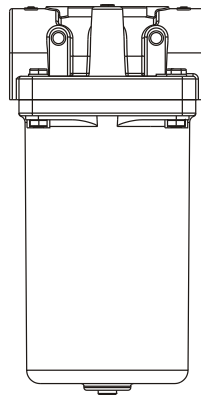
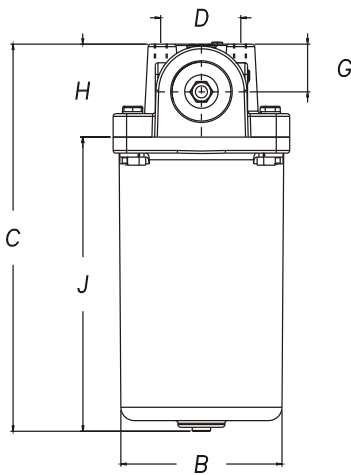
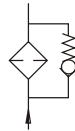
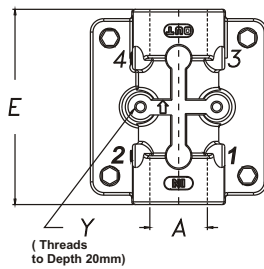


# Reservoir Accessories

## Filter - Inline - HFR

### Specification:

- Aluminium die cast construction
- 3 Basic models - flows to 150 LPM
- By pass standard 1 bar
- Working pressure to 20 bar/test 30 bar/burst 40 bar
- Suitable for mineral/petroleum based oils
- Maximum temperature 80°C



| MODEL    | PORT<br>'A' BSPP         | B   | C   | D  | E   | G  | H  | J   | Y<br>2 OFF | WT<br>KGS |
|----------|--------------------------|-----|-----|----|-----|----|----|-----|------------|-----------|
| HF * .05 | 1 / 2"                   | 66  | 147 | 38 | 88  | 24 | 44 | 103 | M 8x 1.25  | 1.0       |
| HF * .10 | 3/4"<br>1"               | 88  | 176 | 44 | 114 | 27 | 52 | 125 | M 8x1.25   | 1.6       |
| HF * .20 | 1 - 1 / 4"<br>1 - 1 / 2" | 120 | 290 | 57 | 145 | 36 | 70 | 220 | M 10x1.5   | 3.8       |

Dimensions in mm for reference only



# Reservoir Accessories

## Filter - Inline - HFR

### MODEL CODE : ASSEMBLY

| HF R                    | - 05 | - 04*                   | - 010                    | - **                                  | - **   | - **  |
|-------------------------|------|-------------------------|--------------------------|---------------------------------------|--|---|
| TYPE                    | SIZE | PORT THREAD             | FILTRATION*<br>μ MICRONS | FEATURE 1<br>BY Pass<br>(OMIT IF STD) | FEATURE 2<br>Position Indicator Ports<br>(OMIT IF STD) | FEATURE 3   |
| R - RETURN              | 05   | 04 B - 1/2" BSPP        | P10 - 10 μ NOM           | R3 - 15PSI (STD)                      | R-STD 2 X 1/8" NPT INLET (1 & 2)                       | U - 3/8" -16 UNC ( Optional )<br>( Mounting Holes ) |
|                         |      | 04 N - 1/2" NPT         |                          |                                       |  |   |
|                         |      | 08 S - 3/4" UNF - 16    |                          |                                       |  |   |
| S - SUCTION             | 10   | 06 B - 3/4" BSPP        | P25 - 25 μ NOM           | R4 - 25 PSI                           | S-STD 2 X 1/8" NPT OUTLET (3 & 4)                      |   |
|                         |      | 06 N - 3/4" NPT         |                          |                                       |  |   |
|                         |      | 12 S - 1-1/16" UNF - 12 |                          |                                       |  |   |
| B - NO BYPASS           | 20   | 08 B - 1" BSPP          | A10 - 10 μ ABS           | S1 - 3PSI (STD)                       | B-STD 4 X 1/8" NPT INLET & OUTLET (1, 2, 3 & 4)        |   |
|                         |      | 08 N - 1" NPT           |                          |                                       |  |   |
|                         |      | 16 S - 1-5/16" UNF - 12 |                          |                                       |  |   |
|                         |      | 10 B - 1-1/4" BSPP      | M149 - 149 μ MESH        |                                       |  |   |
|                         |      | 10 N - 1-1/4" NPT       |                          |                                       |  |   |
|                         |      | 20 S - 1- 5/8" UNF - 12 | M074 - 74 μ MESH         |                                       |  |   |
|                         |      | 12 B - 1-1/2" BSPP      |                          |                                       |  |   |
| 12 N - 1-1/2" NPT       |      |                         |                          |                                       |  |   |
| 24 S - 1- 7/8" UNF - 12 |      |                         |                          |                                       |  |   |

\* Optional Filtration Mesh Elements Available 43 , 63 , 100 ,125, 300 & 575 microns

Consult Factory For HFR 20 - 1" Port Option

Consult Factory For Tapped Holes For Cover Bolts

Element : P10 / P25 Was 010 / 025

INDICATOR : OPTIONAL ( TO BE ORDERED SEPERATELY )

GR - VISUAL RETURN ER - ELEC. RETURN

GS - VISUAL SUCTION ES - ELEC. SUCTION

### MODEL CODE : ELEMENT

| HFE | - 05 | - 010                   |
|-----|------|-------------------------|
|     | SIZE | FILTRATION<br>μ MICRONS |
| HFE | 05   | P10 - 10 μ NOM          |
|     |      | P25 - 25 μ NOM          |
|     |      | A10 - 10 μ ABS          |
|     | 10   | A25 - 25 μ ABS          |
|     |      | M149- 149 μ MESH        |
|     |      | M 74- 74 μ MESH         |
|     | 20   |                         |

\* Optional Filtration Mesh Elements Available M43 , M63 , M100 ,M125, M300 & M575 microns

### MODEL CODE : SEALING KIT

| HFR | - 05 | - SK     | - **               |
|-----|------|----------|--------------------|
|     | SIZE | SEAL KIT | FEATURE # OPTIONAL |
| HFR | 05   | SK       |                    |
|     | 10   | SK       |                    |
|     | 20   | SK       |                    |

# OPTIONAL / SPECIAL FEATURE - OMIT IF NOT REQUIRED

### Element Details

| SIZE     | P/A | M   | B φ | H   | Area SqCm |         |         |
|----------|-----|-----|-----|-----|-----------|---------|---------|
|          | D φ | D φ |     |     | P-10/25   | A-10/25 | M - *** |
| HFE - 05 | 52  | 52  | 25  | 90  | 920       | 655     | 360     |
| HFE - 10 | 72  | 66  | 34  | 109 | 2205      | 1575    | 560     |
| HFE - 20 | 100 | 85  | 51  | 200 | 7235      | 5150    | 1800    |

M \*\*\* All Mesh Elements

CONSULT FACTORY FOR ANY OTHER REQUIREMENT

Dimensions in mm for reference only

