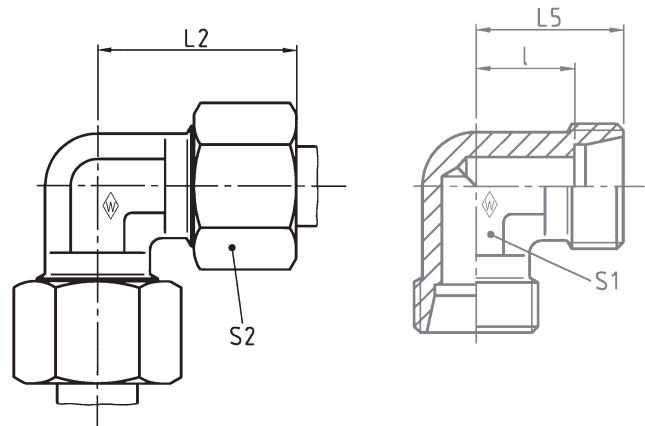


**P-WV .....**



Series	bar	Tube OD	Type	Reference	kg per 100 pcs.						
Reihe	PN	Rohr-AD	Typ	Best.-Nr.	kg per 100 St.						
Série	(psi)	Tube Ø ext.	Désignation	Réf.	kg par 100 p.						
						L <sub>2</sub>	L <sub>5</sub>	l	S <sub>1</sub>	S <sub>2</sub>	
LL	100 (1450)	4	<b>S-WV 4 LL</b>	<b>WAL038576</b>		21	15	11	9	10	
		6	<b>S-WV 6 LL</b>	<b>WAL038578</b>		21	15	9,5	9	12	
		8	<b>S-WV 8 LL</b>	<b>WAL038579</b>		23	17	11,5	12	14	
L	500 (7252)	6	<b>P-WV 6 L</b>	<b>WAL373385</b>		27	19	12	12	14	
		8	<b>P-WV 8 L</b>	<b>WAL373386</b>		29	21	14	12	17	
		10	<b>P-WV 10 L</b>	<b>WAL373387</b>		30	22	15	14	19	
	400 (5801)	12	<b>P-WV 12 L</b>	<b>WAL373388</b>		32	24	17	17	22	
		15	<b>P-WV 15 L</b>	<b>WAL373389</b>	15,8	36	28	21	19	27	
		18	<b>P-WV 18 L</b>	<b>WAL373390</b>	23,9	40	31	23,5	24	32	
		22	<b>P-WV 22 L</b>	<b>WAL373391</b>	31,7	44	35	27,5	27	36	
		250 (3626)	28	<b>P-WV 28 L</b>	<b>WAL373392</b>	42,0	47	38	30,5	36	41
		35	<b>P-WV 35 L</b>	<b>WAL373393</b>	75,9	56	45	34,5	41	50	
S	800 (11603)	42	<b>P-WV 42 L</b>	<b>WAL373394</b>	107,8	63	51	40	50	60	
		6	<b>P-WV 6 S</b>	<b>WAL373395</b>		31	23	16	12	17	
		8	<b>P-WV 8 S</b>	<b>WAL373396</b>		32	24	17	14	19	
	630 (9137)	10	<b>P-WV 10 S</b>	<b>WAL373397</b>		34	25	17,5	17	22	
		12	<b>P-WV 12 S</b>	<b>WAL373398</b>		38	29	21,5	17	24	
		14	<b>P-WV 14 S</b>	<b>WAL373399</b>	20,7	40	30	22	19	27	
		16	<b>P-WV 16 S</b>	<b>WAL373400</b>	25,0	43	33	24,5	24	30	
		420 (6091)	20	<b>P-WV 20 S</b>	<b>WAL373401</b>	40,7	48	37	26,5	27	36
		25	<b>P-WV 25 S</b>	<b>WAL373402</b>	77,6	54	42	30	36	46	
400 (5801)	30	<b>P-WV 30 S</b>	<b>WAL373403</b>	97,4	62	49	35,5	41	50		
	38	<b>P-WV 38 S</b>	<b>WAL373404</b>	131,8	72	57	41	50	60		

L<sub>2</sub> = approximate length with nut tightened  
L<sub>2</sub> = Ungefährmaß bei angezogener Überwurfmutter  
L<sub>2</sub> = longueur approximative, l'écrou étant bloqué