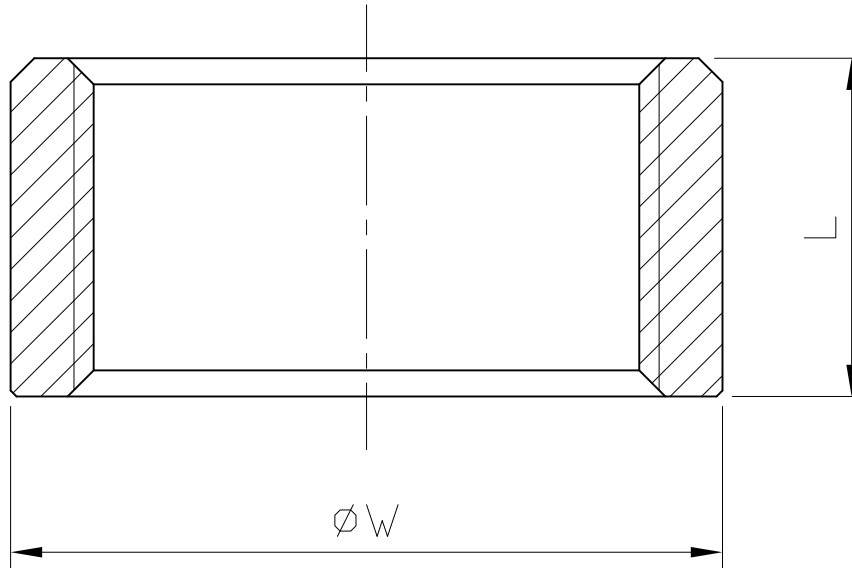


HALF COUPLING



Ra	0.2	▽▽▽
	1.6	▽▽
	6.3	▽
	25	▽
Q	~	

GENERAL TOLERANCE	± 0.1
	± 0.2
	± 0.3
	± 0.5
	± 0.8

HAITIMA CORPORATION
 P.O. BOX 34-36 TAIPEI
 Tel:+886-2-26585800
 E-mail:haitima@seednet.tw
 TAIWAN R.O.C. www.haitima.com.tw
 F.o.x:+886-2-26582266

SIZE	1/8"		1/4"		3/8"		1/2"		3/4"		1"		1-1/4"		1-1/2"		2"		2-1/2" (NPT)		2-1/2" (PS)		3"		4"	
	mm	in	mm	in	mm	in	mm	in	mm	in	mm	in	mm	in	mm	in	mm	in	mm	in	mm	in	mm	in	mm	in
L	12	0.47	12	0.47	13	0.51	16.5	0.65	18.5	0.73	19.5	0.77	22.5	0.89	23	0.91	26.5	1.04	31.5	1.24	31.5	1.24	34.5	1.36	37	1.46
W	13.5	0.53	18	0.71	21.5	0.85	26	1.02	31.5	1.24	39	1.54	48	1.89	54	2.13	66.5	2.62	80	3.15	83	3.27	95	3.74	122	4.8

Tolerance: ± 0.5mm(1/8"~2")
 ± 0.8mm(2-1/2"~4")

△			
△			
△			
Revise	Description	Date	Approve
DRAWING NO. F23		-09	

HAITIMA CORPORATION Ball Valves & Pipe Fittings	CHECK BY	DRAWING BY	DATE	SPECIFICATION	Half Coupling
		<i>Dune</i>	Jun.29.2009	MATERIAL	304/316
				PROCESS/Nr.	
				UNIT / SCALE	mm