

# Airless Spray Gun

## Model No.: AP818C



4 Finger type lightweight spray gun with 517 reversible spray tip and guard.



**NOTICE**

**CLEAN IMMEDIATELY**  
 Clean the Spray Gun IMMEDIATELY after use.  
 Delayed or inadequate cleaning will permanently clog the Spray Gun.

**WARNING** This manual contains important warnings and information. Read and Keep for reference.

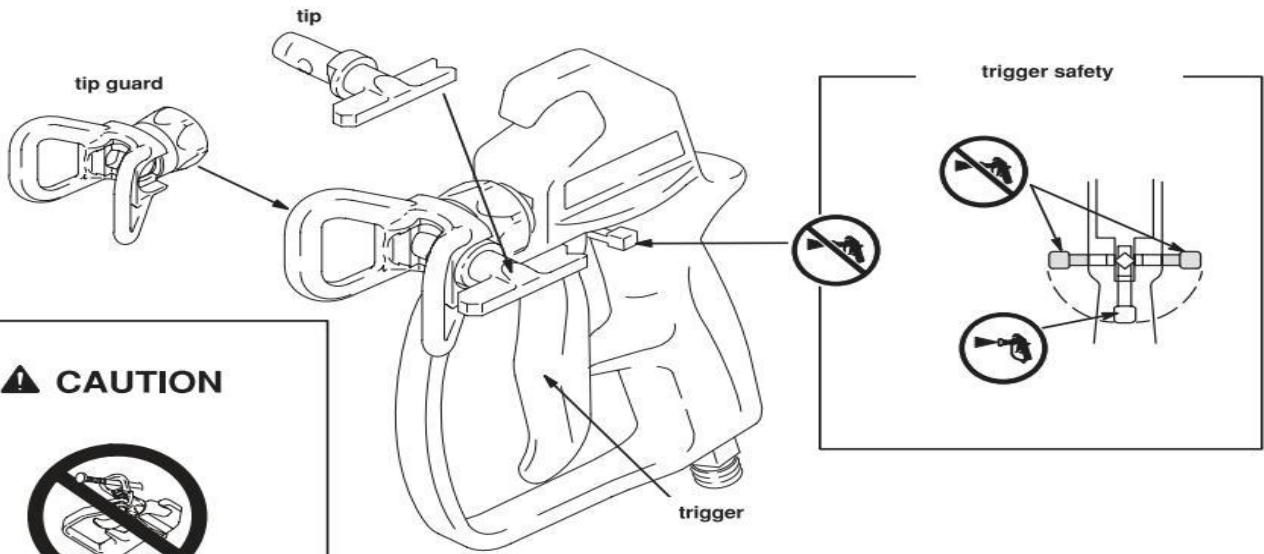
Technical Data:

<b>Maximum working pressure</b>	<b>3600Psi(24.8Mpa,248Bar)</b>	<b>Inlet fitting</b>	<b>1/4"NPSM external thread</b>
Operating temperature range	40°to 115°F(4° to 46°)	Internal strainer	60mesh
Weight	13.4oz(380g)	Wetted parts:	Plated steel nylon, aluminum, tungsten carbide, stainless steel, brass.

**WARNING**

	<p><b>FIRE AND EXPLOSION HAZARD</b> Solvent and paint fumes can ignite or explode.</p> <p><b>To help prevent a fire or explosion</b></p> <ul style="list-style-type: none"> <li>• Use outdoors or in a well ventilated area</li> <li>• Avoid all ignition sources such as static electricity from plastic drop cloths, open flames such as pilot lights, hot objects such as cigarettes, and arcs from connecting or disconnecting power cords and turning light switches off or on.</li> <li>• Tape wall switches to prevent them from being turned off or on.</li> <li>• Use only or Graco airless paint hoses.</li> <li>• Ground sprayer, objects being sprayed, and paint/solvent pails.</li> <li>• Hold metal part of gun firmly to side of a grounded metal pail when triggering into pail</li> <li>• Do not use 1,1,1-Trichloroethane, methylene chloride other halogenated hydrocarbon solvents or fluids containing such solvents in this gun or any other pressurized aluminum equipment. Such use could result in a chemical reaction and an explosion.</li> </ul>
	<p><b>FLUID INJECTION HAZARD</b> High-pressure spray or leaks can inject fluid into the body. If high-pressure fluid pierces your skin, the injury might look like "just a cut," but it is a serious wound. Get immediate medical attention.</p> <p><b>To help prevent injection</b></p> <ul style="list-style-type: none"> <li>• Always put gun trigger safety in SAFETY ON position when not spraying.</li> <li>• Always relieve pressure before you check or repair leaks and when you stop spraying.</li> <li>• Never use components rated less than system <i>Maximum Working Pressure</i>.</li> <li>• Never allow children to use this gun.</li> <li>• Never point gun at yourself or anyone else.</li> </ul>
	<p><b>FLUID SPLASHBACK HAZARD</b> To avoid splashback of fluid while spraying, make sure the spray gun is assembled with the correct gasket for the fluid being sprayed. See <b>Installing the Tip</b> on page 4.</p> <p><b>RECOIL HAZARD</b> Brace yourself. The gun may recoil when triggered.</p>

## CONTROLS / CONTROLES / COMMANDES



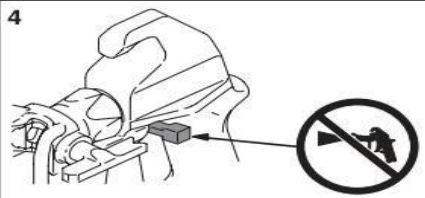
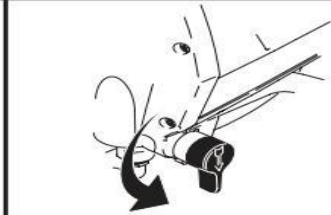
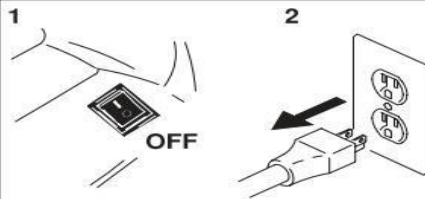
**CAUTION**



## PRESSURE RELIEF

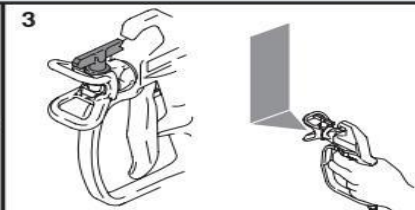
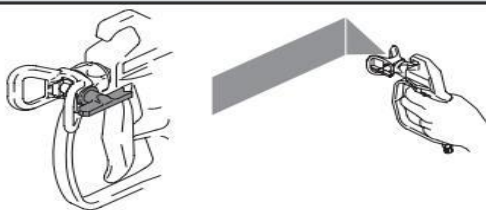
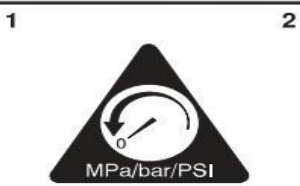


Follow 1 - 5 when you stop spraying.  
pasos 1 - 5.



Leave sprayer in  
PRIME position.

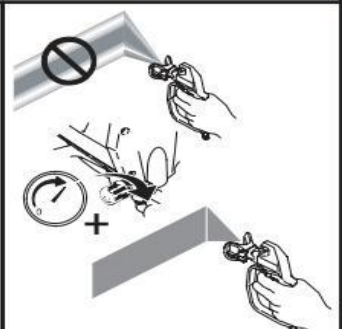
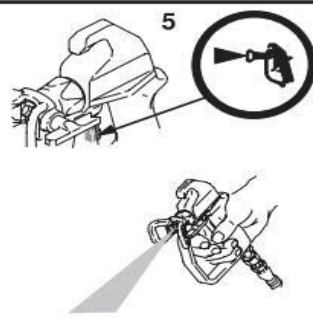
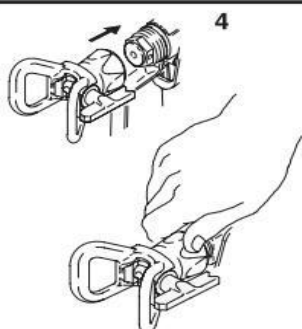
## ALIGN SPRAY



## ADJUST SPRAY

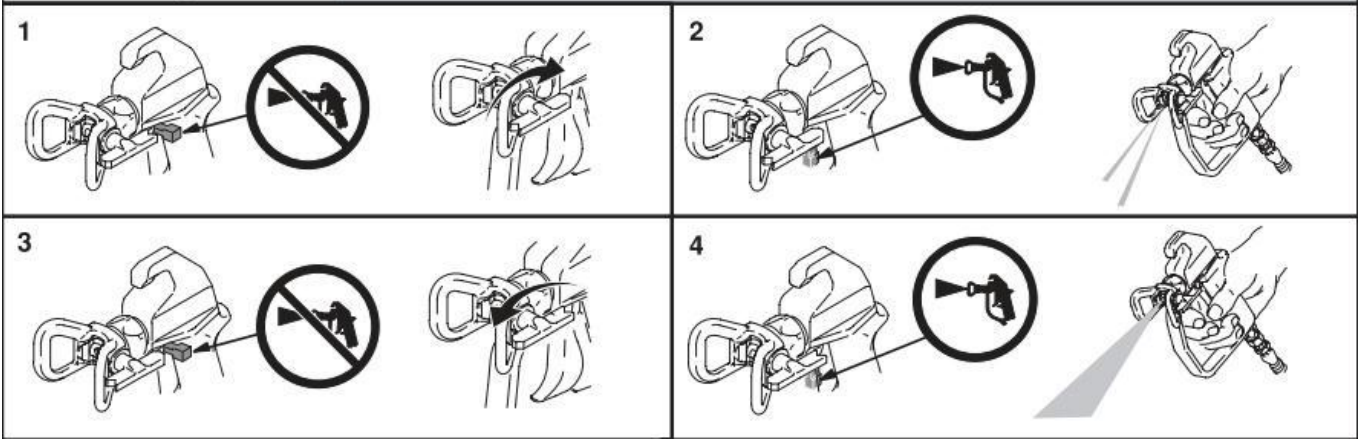


2  
See Installing the Tip.

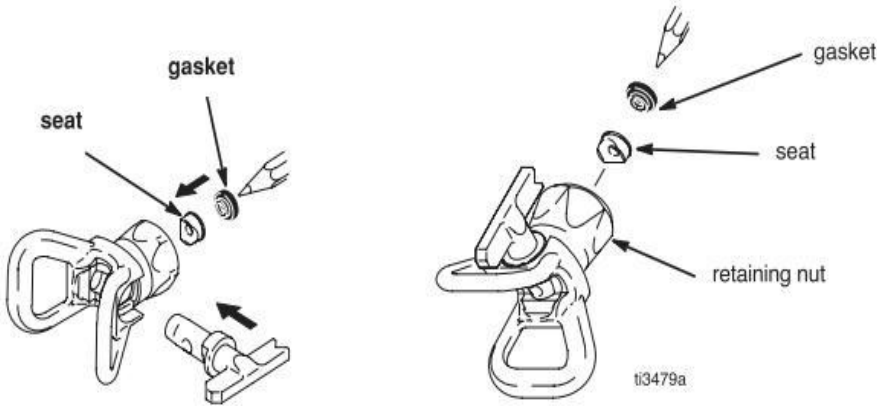


**WARNING** AVERTENCIA  
AVERTISSEMENT

### CLEAR CLOG



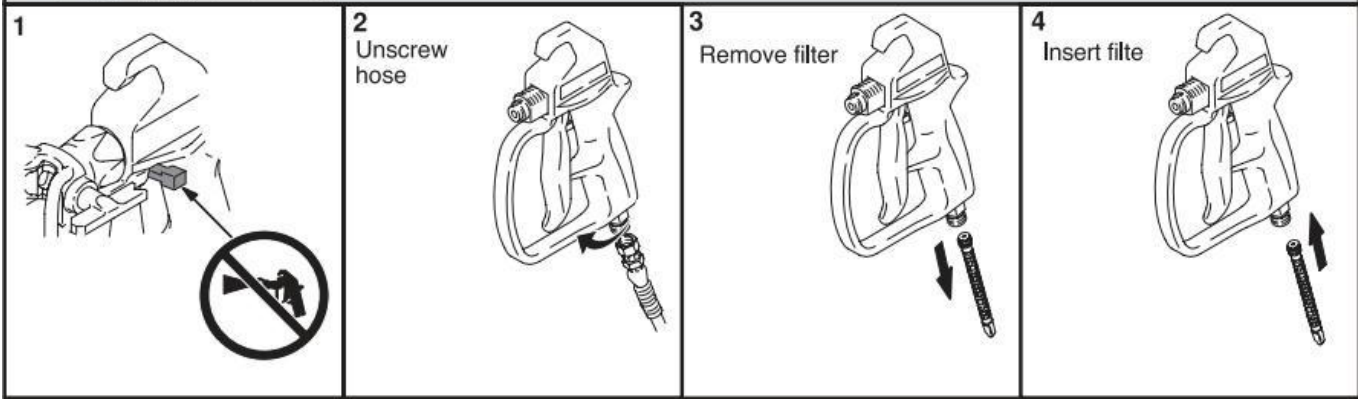
### Installing the Tip



1. Orient seat so curved face matches tip cylinder profile.
2. Use pencil point to guide seat and gasket into retaining nut. Press seat and gasket into place.

**WARNING**

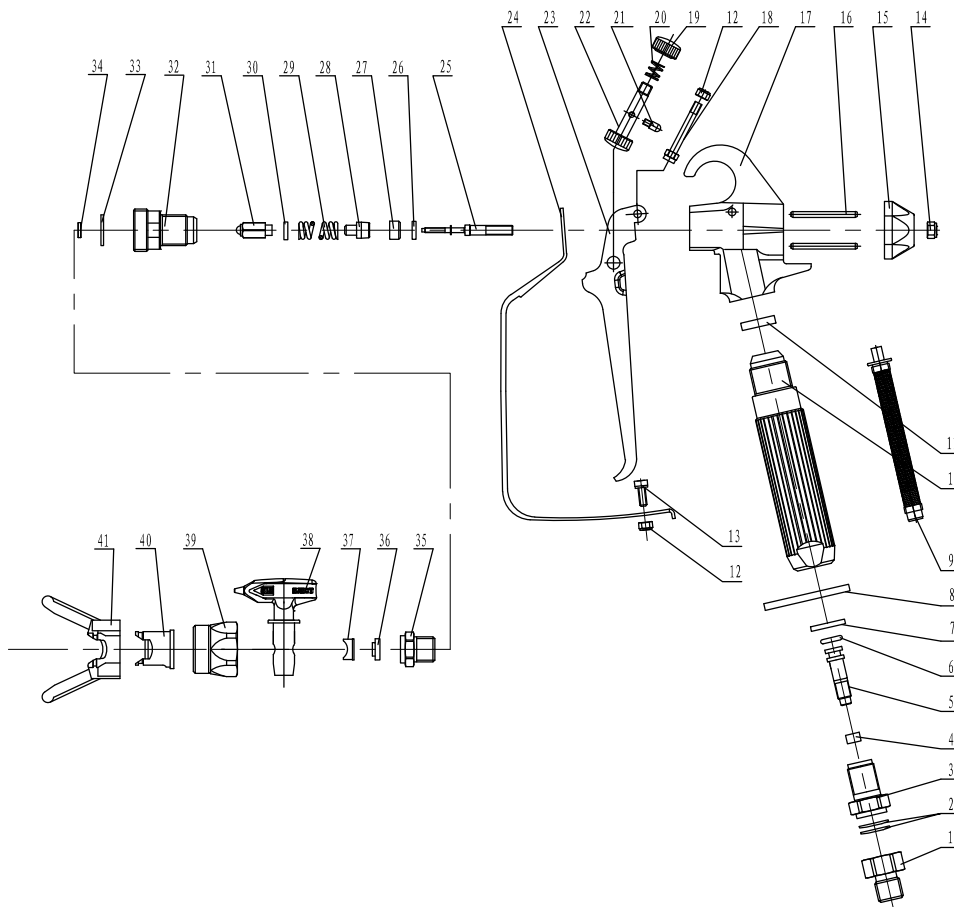
### Changing Easy Access Filter



# 818 Airless Spray Gun Explosive View and Parts list

Issue date: 818

Version no.: C/1



No.	Figure number	Description	Qty.	No.	Figure number	Description	Qty.
01	03.01.01.018.056	Air inlet connection	1	22	03.01.01.018.039	Trigger pole	1
02	03.01.01.018.015	Washer	2	23	03.01.01.018.047-0	Trigger	1
03	03.01.01.041.002-01	Air inlet joint	1	24	03.01.01.041.007	Protect frame	1
04	03.01.01.041.006	Interval washer	1	25	03.01.01.018.005	Thimble	1
05	03.01.01.041.001-01	Air inlet connection core	1	26	03.01.01.018.008	Copper washer	1
06	03.05.01.248	O-ring 6*2	1	27	03.01.01.018.007	Thimble sealing washer	1
07	03.01.01.018.016	Connection plate washer	1	28	03.01.01.018.006	Spring core	1
08	03.01.01.018.037	Connection plate	1	29	03.01.01.018.004	Thimble spring	1
09	05.01.30.0475	Filter assembly	1	30	03.01.01.018.0054	Thimble head washer	1
10	03.01.01.018.068-01	Handle	1	31	05.01.48.17.001	Thimble head assembly	1
11	03.01.01.018.052	Washer	1	32	03.01.01.018.041	Plug	1
12	03.05.08.048	Locked nut M4	1	33	03.01.01.018.053	Washer	1
13	03.05.07.135	Bolt M4*10	1	34	03.01.01.018.086-01	Plug insert	1
14	03.05.08.039	Nut M5	1	35	03.01.01.018.009	Screw seat	1
15	03.01.01.018.040	Switch seat	1	36	03.01.01.018.044	Rubber plug	1
16	03.01.01.018.046	Switch pin	2	37	03.01.01.018.043	Seat	1
17	03.01.01.018.085-01	Gun body	1	38	03.01.01.018.093-02	Reversible Tip assembly	1
18	03.01.01.018.048	Trigger pin	1	39	03.01.01.018.042	Nut	1
19	03.01.01.018.050	Trigger pole joint	1	40	03.01.01.041.011	Tip seat	1
20	03.01.01.018.049	Spring	1	41	03.01.01.018.058	Tip Guard	1
21	03.01.01.018.051	Locating pin	1				

**Note:** If you need spare parts of this model, pls feel free to contact us or the distributor where you bought this tool. Tks!