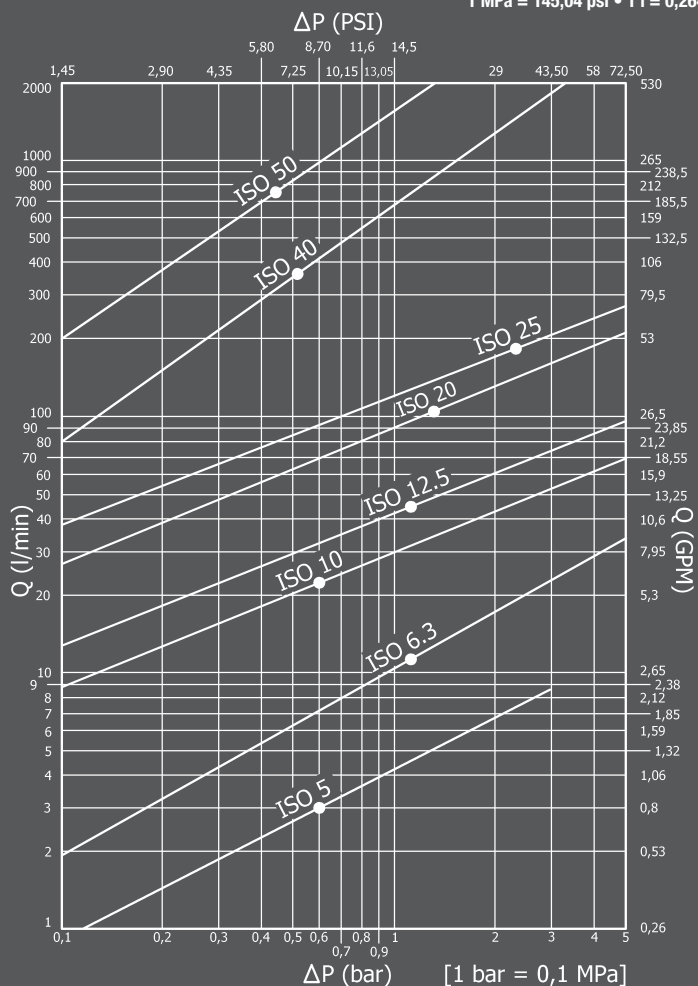


Nominal size				Max working pressure	Rated flow	Max flow rate	Min burst pressure			Fluid spillage
DNP	BG	ISO	mm				Male	Female	Coupled	
04	0	5	4,2	50	3	9	240	230	270	0,5
06	1	6.3	6,5	25	12	24	110	180	100	1
10	2	10	8,5	25	23	46	140	140	130	2,4
13	3	12.5	10,5	25	45	90	110	140	110	3,9
20	4	20	15,8	25	106	220	100	130	120	11
25	5	25	17,3	25	189	260	100	110	100	19
39	7	40	36	20	379	757	80	80	80	95
50	8	50	50	10	757	1000	40	40	40	170

1 MPa = 145,04 psi • 1 l = 0,264 gal



ISO B

ACCIAIO
STEEL
STAHL
ACIER

Caratteristiche tecniche

- Norma: ISO 7241-1 B
- Occlusione: valvola
- Aggancio: sfere radiali
- Materiale: acciaio
- Finitura: Zn-Fe (Cr III)
- Filettature: BSP - NPT
- Guarnizioni standard: NBR
- Temperatura d'esercizio: -25 °C +100 °C
- Guarnizioni opzionali: FKM, EPDM o altro
- Pressioni di esercizio: 100-500 bar
- Connessione in pressione: non consentita

Technical data

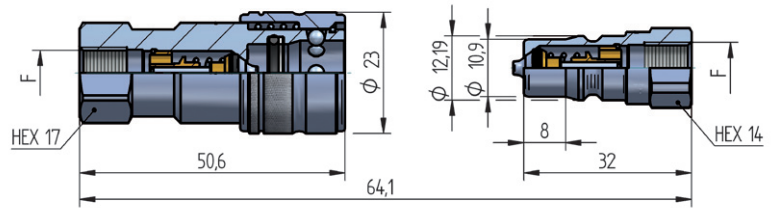
- Standard: ISO 7241-1 B
- Occlusion: poppet
- Locking: radial balls
- Material: steel
- Finishing: Zn-Fe (Cr III)
- Threads: BSP - NPT
- Standard seals: NBR
- Working temperature: -25 °C +100 °C
- Optional seals: FKM, EPDM or more
- Working pressure: 100-500 bar
- Connection under pressure: not allowed

Technische Merkmale

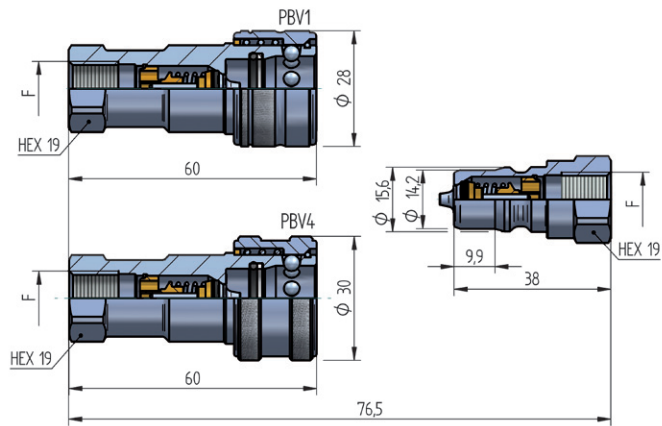
- Norm: ISO 7241-1 B
- Verschluss: ventil
- Kupplung: Radialkugeln
- Werkstoff: Stahl
- Ausführung: Zn-Fe (Cr III)
- Gewinde: BSP - NPT
- Standard-Dichtungen: NBR
- Betriebstemperatur: -25 °C +100 °C
- Dichtungen nach Wahl: FKM, EPDM, usw.
- Betriebsdruck: 100-500 bar
- Kuppeln unter Druck: nicht möglich

Caracteristiques techniques

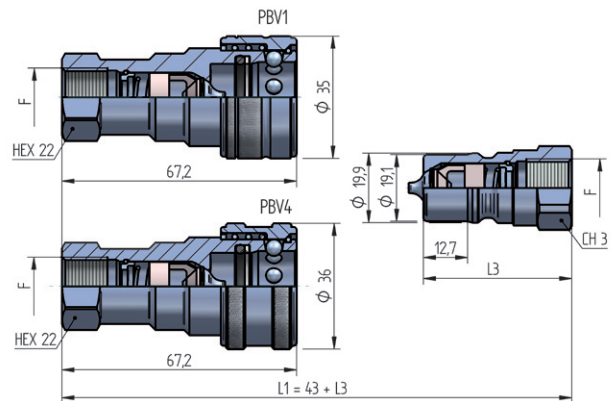
- Norme: ISO 7241-1 B
- Obturation: clapet
- Accrochage: billes radiales
- Matériel: acier
- Traitement: Zn-Fe (Cr III)
- Taraudage: BSP - NPT
- Joints standard: NBR
- Température de service: -25 °C +100 °C
- Joints facultatifs: FKM, EPDM, ect.
- Pression de service: 100-500 bar
- Connexion sous pression: pas possible

PBV1 DN04 - BG 0 - ISO 5


F	STANDARD	FEMMINA - FEMALE - MUFFE - FEMELLE			MASCHIO - MALE - STECKER - MALE		
		COD. F	Weight (g)	Packaging (pcs.)	COD. M	Weight (g)	Packaging (pcs.)
BSP 1/8"	DIN 3852-2-X	PBV1.0404.002	89	160	PBV1.0404.003	20	500
NPT 1/8"	ANSI B1.20.3	PBV1.0404.012	89	160	PBV1.0404.013	20	500

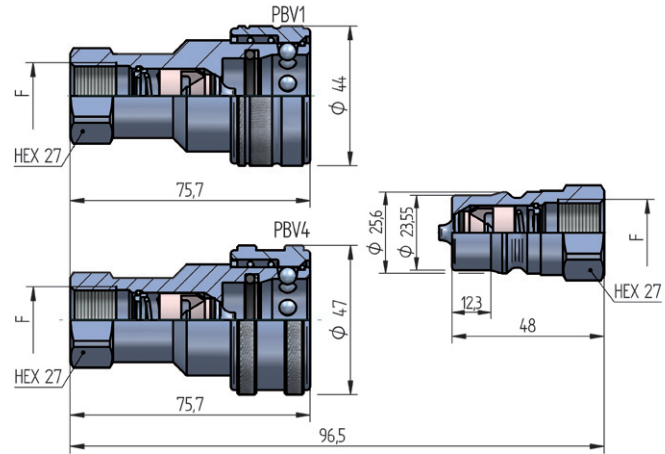
PBV1 DN06 - BG 1 - ISO 6.3


F	STANDARD	FEMMINA - FEMALE - MUFFE - FEMELLE			MASCHIO - MALE - STECKER - MALE		
		COD. F	Weight (g)	Packaging (pcs.)	COD. M	Weight (g)	Packaging (pcs.)
BSP 1/4"	DIN 3852-2-X	PBV1.0606.002	123	100	PBV1.0606.003	39	300
NPT 1/4"	ANSI B1.20.3	PBV1.0606.012	124	100	PBV1.0606.013	40	300
BSP 1/4"	DIN 3852-2-X	PBV4.0606.002	133	80			
NPT 1/4"	ANSI B1.20.3	PBV4.0606.012	134	80			

PBV1 DN10 - BG 2 - ISO 10


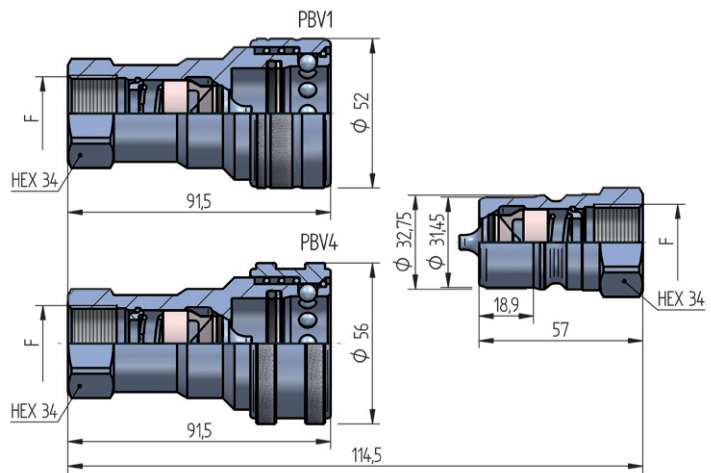
CH3	L3	F	STANDARD	FEMMINA - FEMALE - MUFFE - FEMELLE			MASCHIO - MALE - STECKER - MALE		
				COD. F	Weight (g)	Packaging (pcs.)	COD. M	Weight (g)	Packaging (pcs.)
22	43	BSP 3/8"	DIN 3852-2-X	PBV1.1010.002	194	54	PBV1.1010.003	61	200
22	43	NPT 3/8"	ANSI B1.20.3	PBV1.1010.012	196	54	PBV1.1010.013	62	200
27	46	3/4"-16 UNF 2B	SAE J 1926-1				PBV1.1019.033	82	150
22	43	BSP 3/8"	DIN 3852-2-X	PBV4.1010.002	198	40			
22	43	NPT 3/8"	ANSI B1.20.3	PBV4.1010.012	200	40			

PBV1 DN13 - BG 3 - ISO 12.5

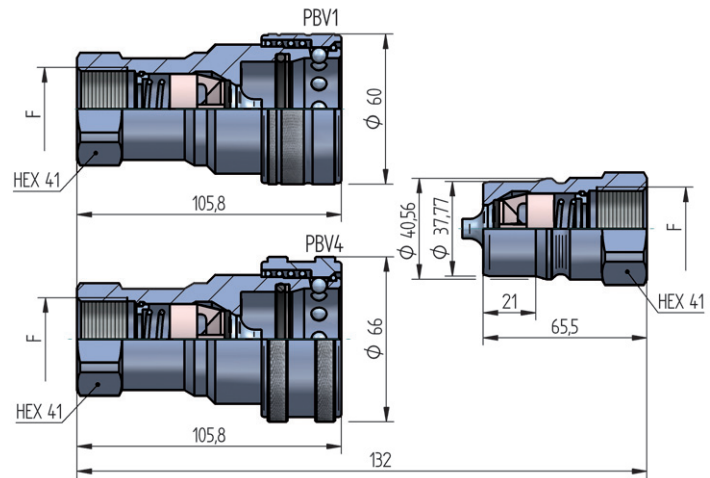


F	STANDARD	FEMMINA - FEMALE - MUFFE - FEMELLE			MASCHIO - MALE - STECKER - MALE		
		COD. F	Weight (g)	Packaging (pcs.)	COD. M	Weight (g)	Packaging (pcs.)
BSP 1/2"	DIN 3852-2-X	PBV1.1313.002	346	45	PBV1.1313.003	112	200
NPT 1/2"	ANSI B1.20.3	PBV1.1313.012	349	45	PBV1.1313.013	115	200
BSP 1/2"	DIN 3852-2-X	PBV4.1313.002	373	30			
NPT 1/2"	ANSI B1.20.3	PBV4.1313.012	376	30			

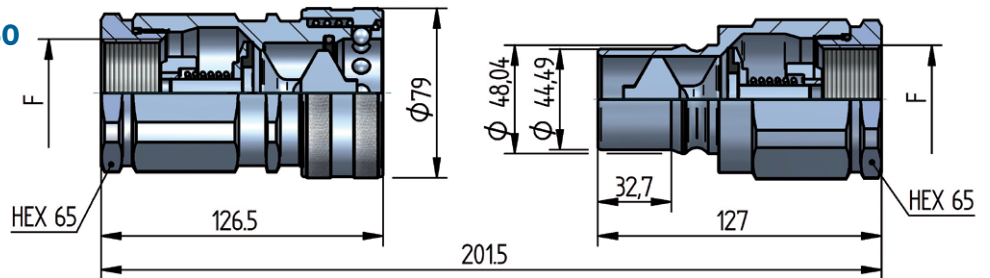
PBV1 DN20 - BG 4 - ISO 20



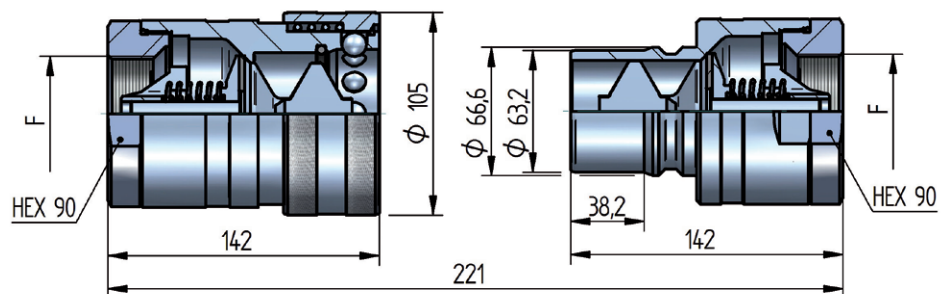
F	STANDARD	FEMMINA - FEMALE - MUFFE - FEMELLE			MASCHIO - MALE - STECKER - MALE		
		COD. F	Weight (g)	Packaging (pcs.)	COD. M	Weight (g)	Packaging (pcs.)
BSP 3/4"	DIN 3852-2-X	PBV1.2019.002	548	25	PBV1.2019.003	202	45
NPT 3/4"	ANSI B1.20.3	PBV1.2019.012	551	25	PBV1.2019.013	207	45
BSP 3/4"	DIN 3852-2-X	PBV4.2019.002	593	20			
NPT 3/4"	ANSI B1.20.3	PBV4.2019.012	596	20			

PBV1 DN25 - BG 5 - ISO 25


F	STANDARD	FEMMINA - FEMALE - MUFFE - FEMELLE			MASCHIO - MALE - STECKER - MALE		
		COD. F	Weight (g)	Packaging (pcs.)	COD. M	Weight (g)	Packaging (pcs.)
BSP 1"	DIN 3852-2-X	PBV1.2525.002	860	18	PBV1.2525.003	355	30
NPT 1"	ANSI B1.20.3	PBV1.2525.012	870	18	PBV1.2525.013	364	30
BSP 1"	DIN 3852-2-X	PBV4.2525.002	990	15			
NPT 1"	ANSI B1.20.3	PBV4.2525.012	1000	15			

PBV1 DN39 - BG 7 - ISO 40


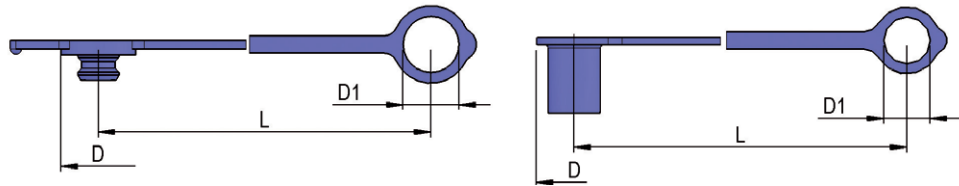
F	STANDARD	FEMMINA - FEMALE - MUFFE - FEMELLE			MASCHIO - MALE - STECKER - MALE		
		COD. F	Weight (g)	Packaging (pcs.)	COD. M	Weight (g)	Packaging (pcs.)
BSP 1 1/4"	DIN 3852-2-X	PBV1.3931.002	2008	9	PBV1.3931.003	1355	8
NPT 1 1/4"	ANSI B1.20.3	PBV1.3931.012	2020	9	PBV1.3931.013	1368	8
BSP 1 1/2"	DIN 3852-2-X	PBV1.3939.002	1929	9	PBV1.3939.003	1276	8
NPT 1 1/2"	ANSI B1.20.3	PBV1.3939.012	1944	9	PBV1.3939.013	1291	8

PBV1 DN50 - BG 8 - ISO 50


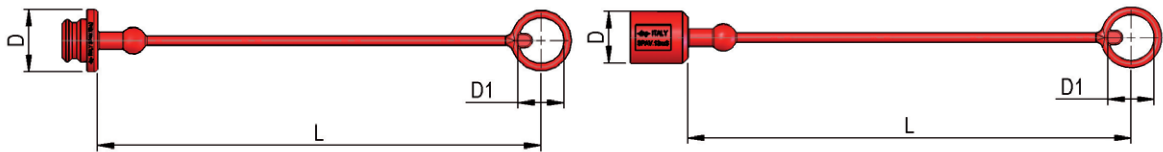
F	STANDARD	FEMMINA - FEMALE - MUFFE - FEMELLE			MASCHIO - MALE - STECKER - MALE		
		COD. F	Weight (g)	Packaging (pcs.)	COD. M	Weight (g)	Packaging (pcs.)
BSP 2"	DIN 3852-2-X	PBV1.5051.002	4900	4	PBV1.5051.003	3100	5
NPT 2"	ANSI B1.20.3	PBV1.5051.012	5000	4	PBV1.5051.013	3200	5

PLASTIC CAPS

NOMINAL SIZE		FEMALE DUST PLUG				MALE DUST CAP				COLOUR	MATERIAL			
DNP	BG	ISO	COD. F	Dimensions			Weight	COD. M	Dimensions			Weight		
				D	L	D1	(g)		D	L	D1	(g)		
06	1	6.3	SPBV.06032	28	125	21	8	SPBV.06033	28	125	17	8	●	PVC
10	2	10	SPBV.10032	33	135	25	10	SPBV.10033	33	130	20	13	●	PVC
13	3	12.5	SPBV.13032	44	175	32	16	SPBV.13033	40	165	24	20	●	PVC
20	4	20	SPBV.20032	52	190	37	23	SPBV.20033	44	190	31	27	●	PVC
25	5	25	SPBV.25032	61	230	43	30	SPBV.25033	53	230	37	40	●	PVC

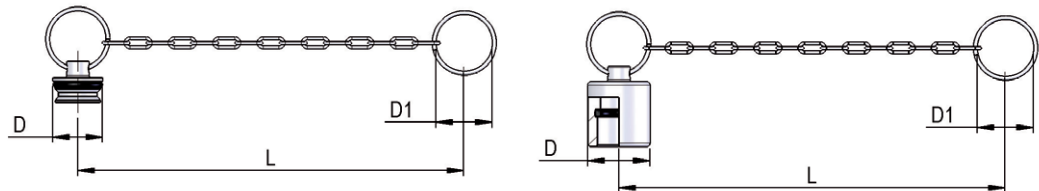


NOMINAL SIZE		FEMALE DUST PLUG				MALE DUST CAP				COLOUR	MATERIAL			
DNP	BG	ISO	COD. F	Dimensions			Weight	COD. M	Dimensions			Weight		
				D	L	D1	(g)		D	L	D1	(g)		
06	1	6.3	SPBV.06002	26	240	23	9	SPBV.06003	18	240	23	9	●	PVC
10	2	10	SPBV.10002	33	235	25	9	SPBV.10003	23	240	24	10	●	PVC
13	3	12.5	SPBV.13002	38	240	29	15	SPBV.13003	29	245	28	13	●	PVC
20	4	20	SPBV.20002	49	240	38	17	SPBV.20003	36	245	38	16	●	PVC
25	5	25	SPBV.25002	60	245	46	24	SPBV.25003	44	235	44	19	●	PVC

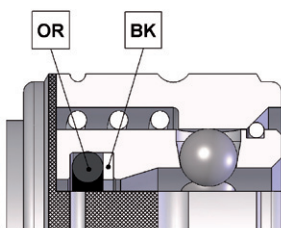


METAL CAPS

NOMINAL SIZE		FEMALE DUST PLUG				MALE DUST CAP				MATERIAL			
DNP	BG	ISO	COD. F	Dimensions			Weight	COD. M	Dimensions			Weight	
				D	L	D1	(g)		D	L	D1	(g)	
06	1	6.3	SPBV.06202	22	210	30	15	SPBV.06203	22	245	28	32	Aluminum
06	1	6.3	-	-	-	-	-	SPBV.06303	21	260	19	49	AISI 316
10	2	10	SPBV.10202	22	155	30	18	SPBV.10203	27	155	30	34	Aluminum
13	3	12.5	SPBV.13202	28	305	41	34	SPBV.13203	35	265	41	66	Aluminum
20	4	20	SPBV.20202	35	265	43	49	SPBV.20203	42	250	30	102	Aluminum
25	5	25	SPBV.25202	44	240	41	70	SPBV.25203	48	340	49	126	Aluminum
39	7	40	SPBV.39202	74	225	46	175	SPBV.39203	55	225	46	205	Aluminum
50	8	50	SPBV.50202	105	350	75	265	SPBV.50203	80	350	75	365	Aluminum



SPARE PARTS



NOMINAL SIZE		FEMALE GASKET		
DNP	BG	ISO	OR (NBR*)	BK (PTFE)
04	0	5	PBV.004.120	PBV.004.130
06	1	6.3	PBV.006.120	PBV.006.130
10	2	10	PDV.010.120	PBV.010.130
13	3	12.5	PBV.013.120	PBV.013.130
20	4	20	PBV.019.120	PBV.019.130
25	5	25	PBV.025.120	PBV.025.130
39	7	40	PBV.039.120	-
50	8	50	PBV.050.120	-

* AL CODICE DELLA GUARNIZIONE IN NBR AGGIUNGERE 'E' PER EPDM O 'V' PER VITON
 TO THE NBR GASKET CODE ADD 'E' FOR EPDM OR 'V' FOR VITON
 ZU DER ARTIKELNR. DER NBR DICHTUNG GEBEN SIE 'E' FUER EPDM ODER 'V' FUER VITON AN
 AU CODE DU JOINT EN NBR JOINDRE 'E' POUR EPDM OU 'V' POUR VITON