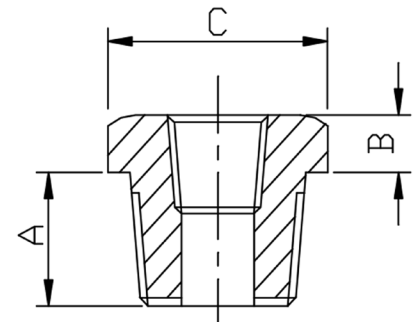


Reducing Bush

Technical Data

- BSPT threaded to ISO 7-1
- Dimensions to ANSI B16.11/BS3799
- 6000 LB rating
- Sizes 1/8" to 2"
- 316L stainless steel
- Larger sizes are available



SIZE	PART No	A	B	C	Kg/100
1/4 X 1/8	1012-0280	13	3	16	1.9
3/8 X 1/8	1012-0281	13	4	18	2.8
3/8 X 1/4	1012-0282	13	4	18	2.2
1/2 X 1/4	1012-0284	16	5	22	4.1
1/2 X 3/8	1012-0285	16	5	22	3.1
3/4 X 3/8	1012-0287	18	6	28	6.5
3/4 X 1/2	1012-0288	18	6	28	5.6
1 X 3/8	1012-0290	21	6	35	14.0
1 X 1/2	1012-0291	21	6	35	13.6
1 X 3/4	1012-0292	21	6	35	9.5
1-1/4 X 1/2	1012-0293	22	7	47	20.0
1-1/4 X 3/4	1012-0296	22	7	47	19.4
1-1/4 X 1	1012-0295	22	7	47	18.4
1-1/2 X 3/4	1012-0296	22	8	52	30.0
1-1/2 X 1	1012-0297	22	8	52	28.6
1-1/2 X 1-1/4	1012-0298	22	8	52	26.0
2 X 1	1012-0299	24	9	64	45.0
2 X 1-1/4	1012-0300	24	9	64	42.0
2 X 1-1/2	1012-0301	24	9	64	39.0