

# Malleable Iron Fittings



ODLEWNIA ŻELIWA  
ZAWIERCIE

**Threads:** Threads are in accordance to ISO7-1. All male threads are BSPT and female threads are BSPP.

**Materials:** Whiteheart malleable EN-GJMW-400-5 cast iron, grade W40-05 according to ISO5922/DIN-1692, and tested in accordance to EN 10242

**Media:** Suitable for the flow of water, steam, gas or other non aggressive media.

**Surface Finishing:**

**Two types are available:**

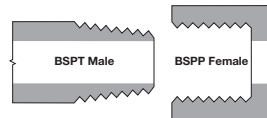
**Black:** With an anti-corrosive varnish to protect against rust and after installation prior to plant conditioning.

**Galvanised:** According to EN 10242, zinc coating weight relative to surface exceeds 500 g/m<sup>2</sup> (average layer thickness 70 micron).



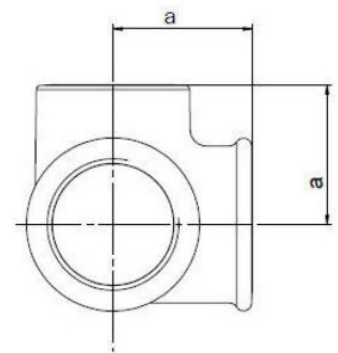
**Maximum Working Pressure:**

25 bar @ -20°C to +120°C  
20 bar @ +300°C



## Female Double Outlet Adaptor (221)

Galvanised, BSPP	
1095	
EE-MI221-38	3/8"
EE-MI221-12	1/2"
EE-MI221-34	3/4"
EE-MI221-1	1"
EE-MI221-114	1.1/4"
EE-MI221-112	1.1/2"
EE-MI221-2	2"



Dimension[inch]	Weight of carton [kg]		Quantity in carton [pc.]	Dimension a [mm]
	black	galv		
3/8	8,3	8,6	100	25
1/2	9,3	9,6	80	28
3/4	9,4	10,4	50	33
1	20,7	21,6	70	38
1 1/4	18,8	19,3	35	45
1 1/2	15,6	15,9	25	50
2	14,4	14,8	15	58