

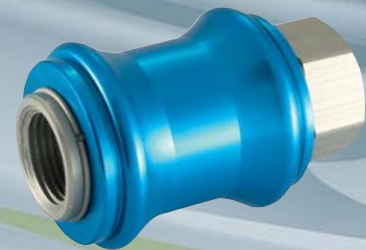
MANUAL & MECHANICAL VALVES



Installation & Application Data

- 1) Before installing, be sure the valve hasn't been damaged in transit.
- 2) Use clean air filtered to 40 μ m. Be aware of the flow direction & port size.
- 3) Please note whether the installation conditions meet the technical requirements (such as actuation frequency, working pressure & temperature) before installing the valve.
- 4) Notice the flow direction of air during installation, P is the air input, A (B) is the outlet port and R (S) is the exhaust port.
- 5) Avoid freezing temperature and vibration.
- 6) Before using fittings and tube make sure they are clean.

HAND SLIDE VALVES KSV SERIES



Specification

Model	KSV-06	KSV-08	KSV-10	KSV-15	KSV-20	KSV-25
Fluid	Air (to be filtered by 40µm filter element)					
Operating	Manual Control Direct Acting					
Port	1/8"	1/4"	3/8"	1/2"	3/4"	1"
Orifice	23.0mm ² (Cv=1.28)	40.0mm ² (Cv=2.20)	62.0mm ² (Cv=3.50)	140.0mm ² (Cv=7.80)	250.0mm ² (Cv=13.8)	392.0mm ² (Cv=21.78)
Valve Type	3/2					
Lubrication	Not required					
Pressure Range	0-1.0MPa (0-145psi)					
Proof Pressure	1.5MPa (215psi)					
Temperature	-20 to +70°C					
Material of Body	Aluminium Alloy					

Product Features

There are several thread combinations for different applications.

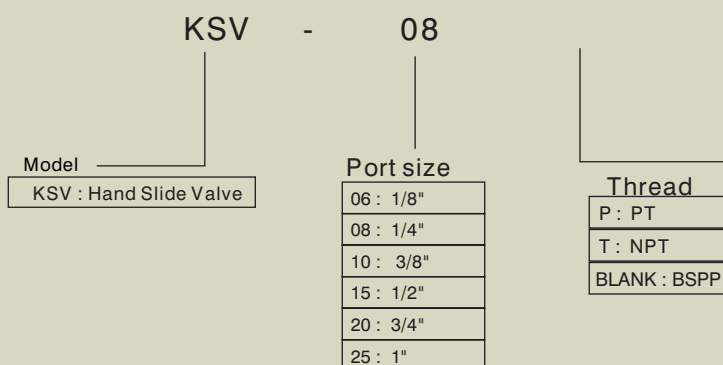
The slide is smooth to operate.

There is large effective circulating area.

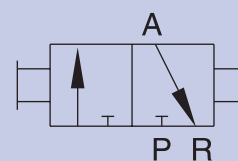
The valve spool surface is treated with acid washing passivation.

The surface of valve body is oxidized to keep the colour for a long time.

Ordering Code

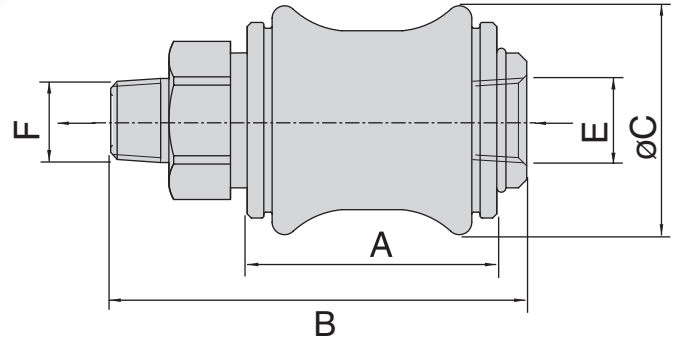
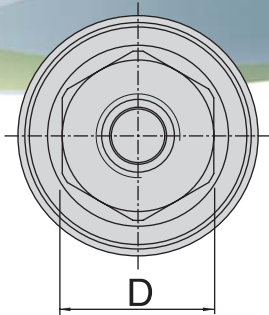


Symbol



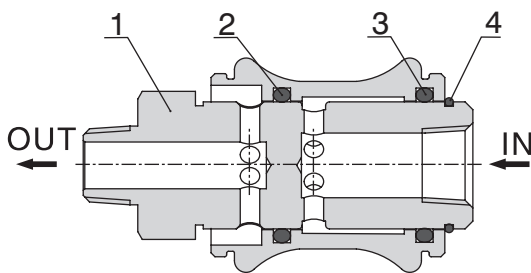
HAND SLIDE VALVES KSV SERIES

Dimensions



Model\Item	A	B	C	D	E	F
KSV-06	30	50	27.5	17	1/8"	1/8"
KSV-08	32.5	58	30	19	1/4"	1/4"
KSV-10	39	68.5	35.5	22	3/8"	3/8"
KSV-15	50	85.5	44	30	1/2"	1/2"
KSV-20	58	96.5	53.5	36	3/4"	3/4"
KSV-25	70	114.5	65.5	44	1"	1"

Inner Structure



No.	Item
1	Valve
2	Body
3	O-ring
4	Clip