

# AIR PREPARATION



## Installation & Application Data

- 1 Before installing check components have not been damaged during transportation.
- 2 Check flow direction and thread type are correct.
- 3 Please note whether the installation conditions meet the technical requirements (such as working pressure & applied temperature range).
- 4 Use compressed air only.
- 5 Clean or change filter element regularly.
- 6 When the unit is dismantled use port plugs to stop dirt ingress into the unit.

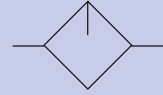
# AIR PREPARATION LUBRICATORS



## Specification

Model	KLS200-06	KSL200-08	KLS300-08	KLS300-10	KLS300-15	KLS400-10	KLS400-15	KLS600-20	KLS600-25
Fluid	Air								
Port	1/8"	1/4"	1/4"	3/8"	1/2"	3/8"	1/2"	3/4"	1"
Pressure Range	0.05- 0.9MPa (7- 130psi)								
Proof Pressure	1.5 MPa (215psi)								
Temperature Range	-5 to +60°C								
Capacity Bowl	25CC		75CC			160CC		380CC	
Recommended Lubricant	ISO VG 32 or equivalent								
Weight	130g		360g			670g		1300g	

Symbol



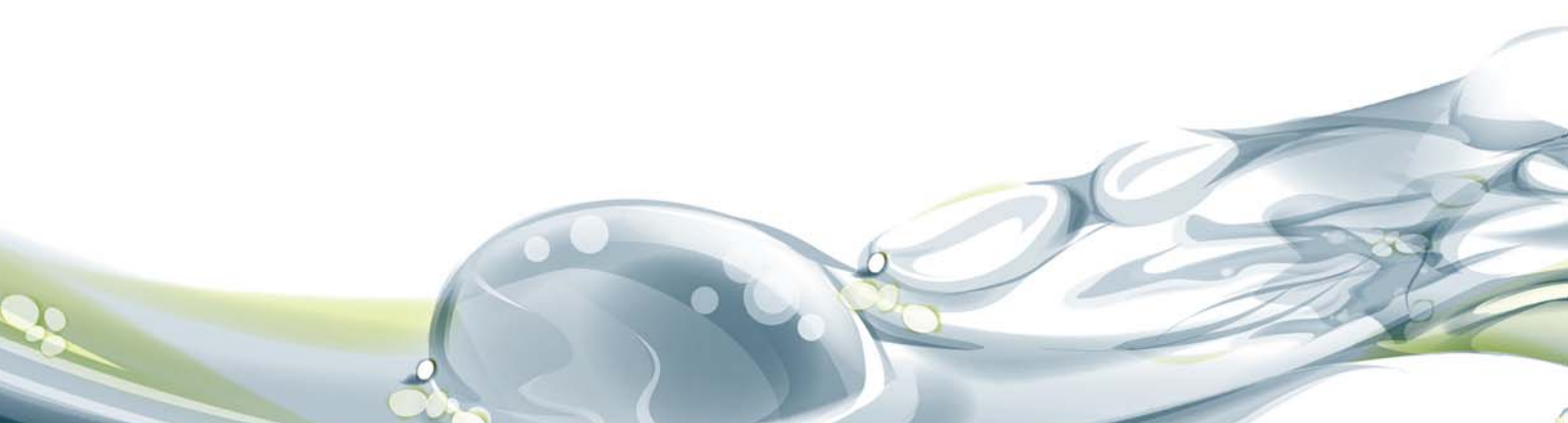
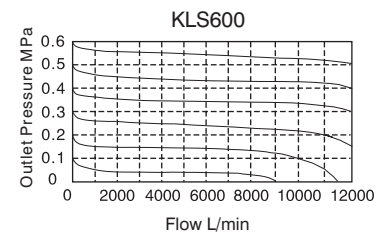
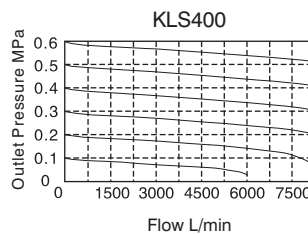
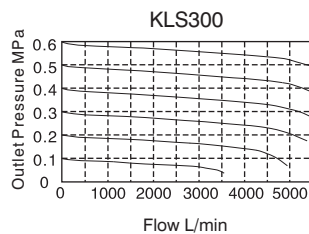
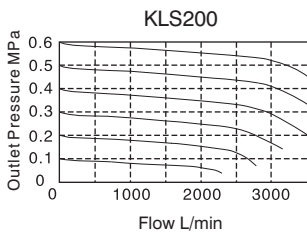
## Ordering Code

KLS200 — 08 —		Thread
Model	Port size	
KLS200 : 200 Lubricator	06 : 1/8"	Blank : BSPP
KLS300 : 300 Lubricator	08 : 1/4"	T : NPT
	10 : 3/8"	G : PT
KLS400 : 400 Lubricator	15 : 1/2"	
	10 : 3/8"	
KLS600 : 600 Lubricator	15 : 1/2"	
	20 : 3/4"	
	25 : 1"	

## Product Features

- 1 Gap seal structure makes oil supply adjustment more reliable.
- 2 The adjustment ring for the oil supply will revolve once through 360° thus oil supply can be gauged by the position of the graduated ring.
- 3 Oil is fed into the system by venturi nozzle.
- 4 Optional wall mounting bracket available.

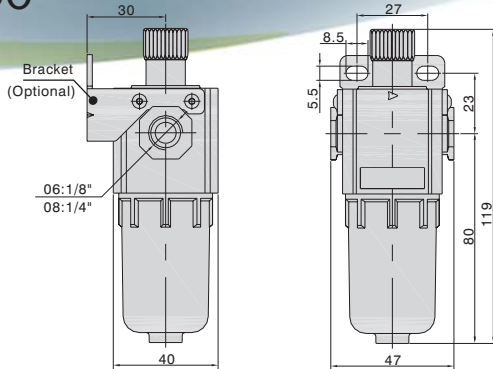
## Flow Charts (Inlet Pressure 0.7MPa)



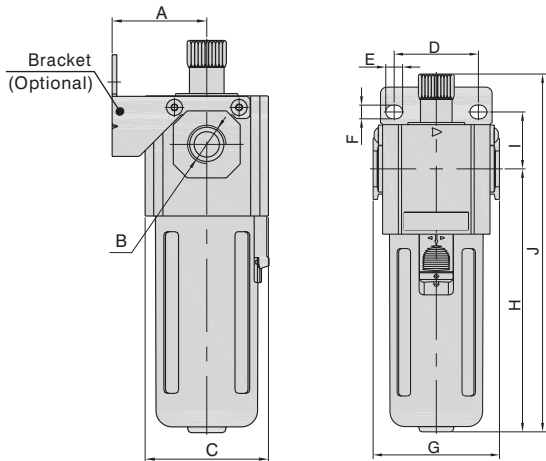
# AIR PREPARATION LUBRICATORS

## Dimensions

### KLS200

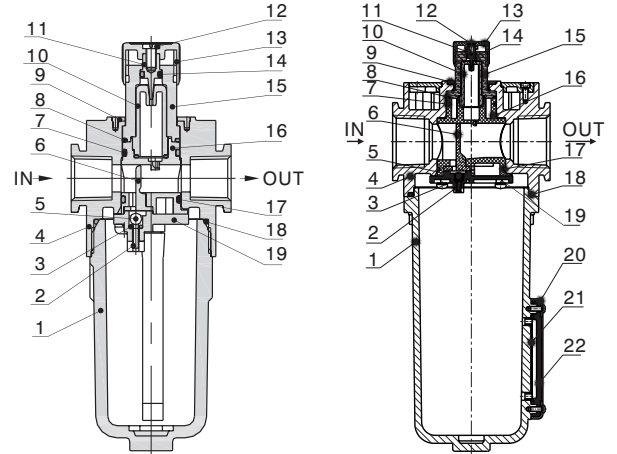


### KLS300 & 400



Model/Item	A	B	C	D	E	F	G	H	I	J
KLS300-08	41	1/4"	53.5	40	8	6.5	60	125	27	169
KLS300-10	41	3/8"	53.5	40	8	6.5	60	125	27	169
KLS300-15	41	1/2"	53.5	40	8	6.5	60	125	27	169
KLS400-10	50	3/8"	71	55	11	8.5	80	142	33.5	190
KLS400-15	50	1/2"	71	55	11	8.5	80	142	33.5	190

## Inner Structure



No.	Item	Material
1	Oil Bowl	Aluminum Alloy (600) PC (200/300/400)
2	Adjusting Spring	Stainless Steel
3	O-ring	NBR
4	Body of Lubricator	Aluminum Alloy
5	Steel ball	Stainless Steel
6	Distance Block	PU
7	O-ring	NBR
8	O-ring	NBR
9	Indicating Ring	POM
10	Drip Pipe	PC
11	Ejector Pin	Brass
12	Screw	Brass
13	Adjusting Ring	POM
14	O-ring	NBR
15	Bowl	PC
16	Sprayer Body	PA66
17	O-ring	NBR
18	O-ring	NBR
19	Sprayer Bottom Cap	POM
20	Liquid Meter Cover	SPCC
21	Liquid Meter Seal	FPM-P
22	Liquid Meter inside Cover	PC

### KLS600

