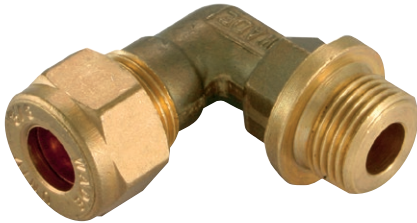


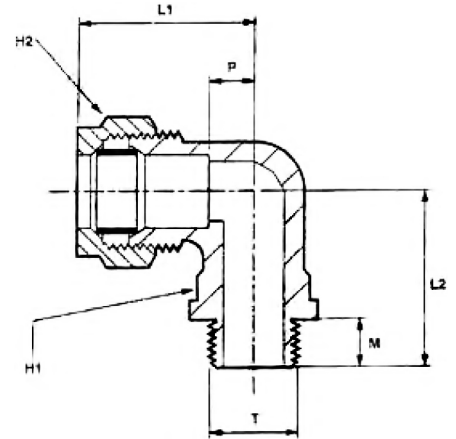
# Male Stud Elbow, BSP Parallel, Imperial

# Wade



## Features & Benefits

- 90° Elbow configuration with a BSP parallel male stud thread
- Enables tube connection to a mating BSP parallel BS2779 female threaded port



Part No	Tube OD	T BSPT male Thread	M Stud Length	L1 Length	L2 Length	H1 Hex A/F	H2 Hex A/F	P Abutment
WADE-5023/1	1/4"	1/8"	0.312"	1.062"	1"	0.445"	0.601"	0.5"
WADE-2023	1/4"	1/4"	0.343"	1.062"	1.062"	0.445"	0.601"	0.5"
WADE-5023/8	1/4"	3/8"	0.375"	1.218"	1.25"	0.601"	0.601"	0.656"
WADE-2025	5/16"	1/4"	0.343"	1.062"	1.062"	0.445"	0.601"	0.5"
WADE-2028	3/8"	3/8"	0.375"	1.25"	1.25"	0.601"	0.82"	0.593"
WADE-2031	1/2"	1/2"	0.437"	1.375"	1.375"	0.71"	0.92"	0.593"