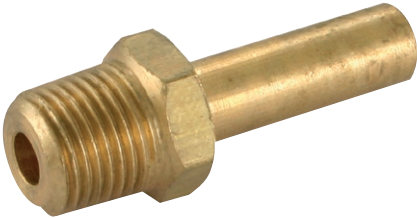


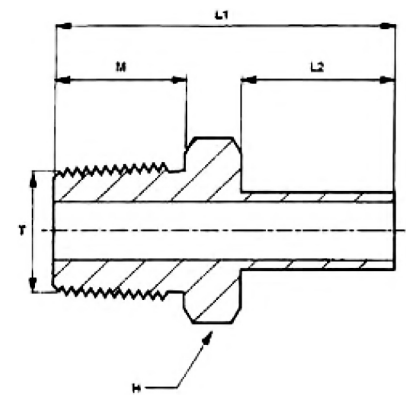
Standpipe Adaptor, BSPT Male, Imperial

Wade



Features & Benefits

- A range of brass BSP taper male standpipe adaptors
- Providing a jointing solution where a component with a standard compression end needs to be connected to another component part with a mating BSP taper or BSP parallel BS21 female thread
- The standpipe feature allows rotational adjustment enabling the standpipe stem to be jointed with a corresponding compression end, in any alignment within a 360° turning circle
- The stem feature of the standpipe enables the conversion of a corresponding compression end into a BSP taper male stud thread connection



Part No	Standpipe Diameter	T BSPT Male	M Stud Length	L1 Length	L2 Length	H Hex A/F
WADE SA03/083	1/4"	1/8"	0.343"	1.25"	0.75"	0.445"
WADE-SA03/163	1/4"	1/4"	0.5"	1.437"	0.75"	0.601"