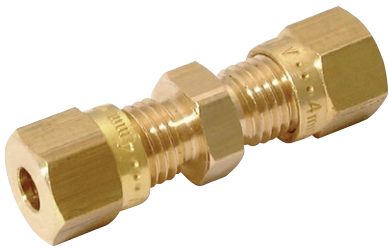


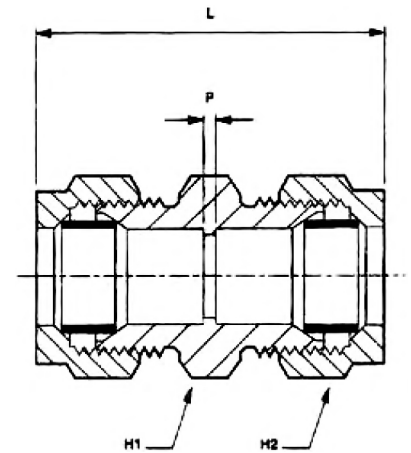
Equal Ended Coupling, Metric

Wade



Features & Benefits

- In-line configuration
- Enables connection of two tubes of the same outside diameter



Part No	Tube OD	L Length	H1 Hex A/F	H2 Hex A/F	P Abutment
WADE-MC104	4	33mm	10mm	10mm	9mm
WADE-MC105	5	37mm	11mm	12mm	9mm
WADE-MC106	6	36mm	11mm	12mm	9mm
WADE-MC108	8	40mm	13mm	14mm	10mm
WADE-MC110	10	42mm	17mm	19mm	12mm
WADE-MC112	12	43.5mm	19mm	22mm	12.5mm
WADE-MC115	15	57.5mm	22mm	24mm	16.5mm
WADE-MC116	16	57.5mm	24mm	27mm	17.5mm
WADE-MC120	20	60mm	30mm	32mm	19mm