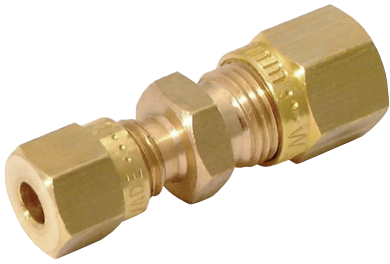


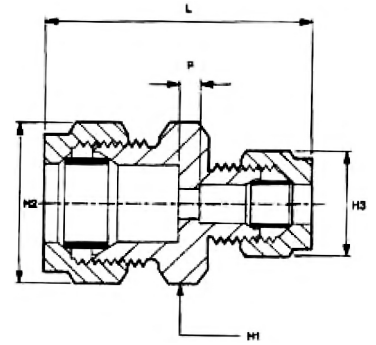
# Unequal Coupling, Metric

# Wade



## Features & Benefits

- In-line configuration
- Enables connection of two tubes of different outside diameters



Part No	Tube OD	Tube OD	L Length	H1 Hex A/F	H2 Hex A/F	H3 Hex A/F	P Abutment
WADE-MC106/104	6mm	4mm	34.5mm	11mm	12mm	10mm	9mm
WADE-MC108/106	8mm	6mm	38mm	13mm	14mm	12mm	10mm
WADE-MC110/106	10mm	6mm	39.5mm	17mm	19mm	12mm	11mm