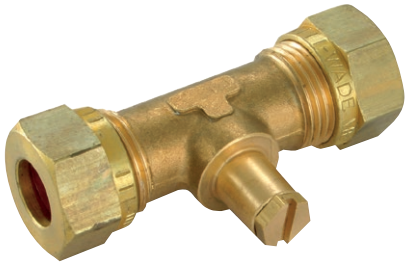


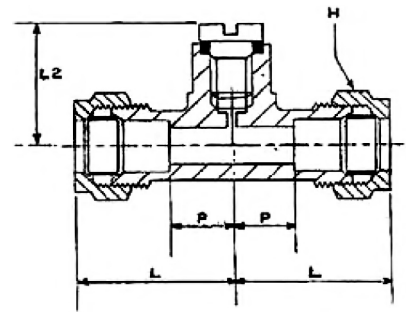
Test Point Union, Metric

Wade



Features & Benefits

- Range includes in-line tube to tube unions, tube to tube elbows and 1/8" BSP taper male nipples
- Designed to provide a pressure test point for LPG and natural gas systems
- Conform to BS 4161
- Compression ends are designed and manufactured to BS 2051
- Wade test point fittings are widely used on caravan and boat pipe installations where EU regulations stipulate the fitting of test points on gas system pipework



| Part No | Tube OD | L Length | L2 Length | H Hex A/F | P Abutment |
|---------------|---------|----------|-----------|-----------|------------|
| WADE-MTP1208B | 8 | 20.5mm | 20.5mm | 17mm | 6.3mm |
| WADE-MTP1210B | 10 | 26mm | 26mm | 19mm | 9.5mm |
| WADE-MTP1212B | 12 | 27.5mm | 27.5mm | 22mm | 8mm |
| WADE-MTP1215B | 15 | 70.5mm | 27.5mm | 24mm | 20mm |