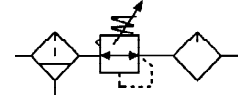


DC Air Source Treatment Unit

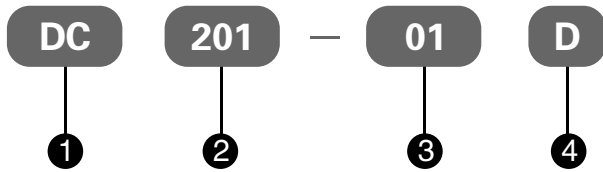
Filter Regulator+Lubricator

Specification:

Type	DC101-M5,01	DC201-01,02,03	DC401-03,04,06	DC601-06,08
Port size G	M5 · 1/8"	1/8" · 1/4" · 3/8"	3/8" · 1/2" · 3/4"	3/4" · 1"
Gauge thread G	M5	1/8"	1/4"	
Fluid	Compressed Air			
Operating pressure range MPa	0.15~0.85	0.15~1.2		
Max.Flow rate L/min	500	1700	3500	11500
Ambient temperature °C	-10~60			
Filter precision	5µm or 40µm			
Structure	Overflow type			
Guard cup	-	●	●	●

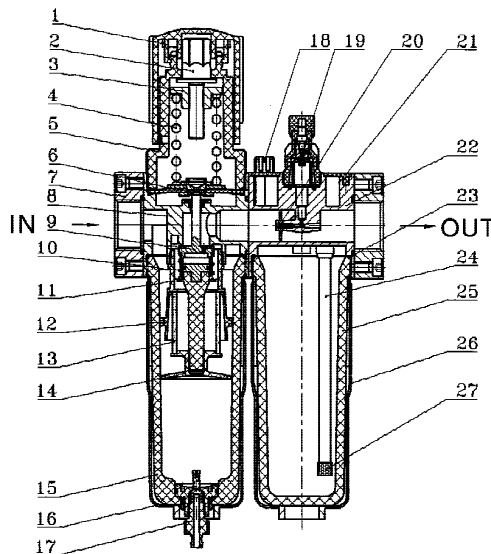


How to order:



①	DC Filter Regulator+Lubricator
②	Type: 101,201,401,601
③	Port size: M5,01:G1/8",02:G1/4",03:G3/8",04:G1/2",06:G3/4",08:G1"
④	□: Manual drain, D: Auto-drain;

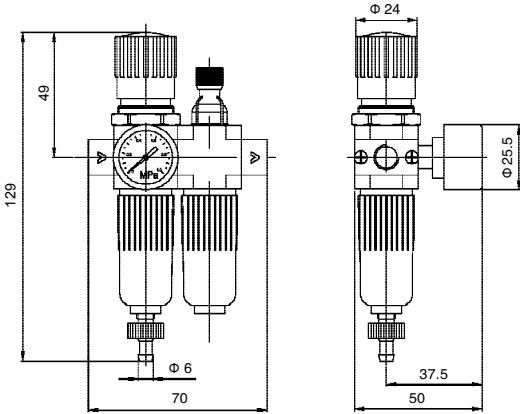
Inner structure drawing:



No	code	No	code
1	Adjustable button	15	Water cup
2	Adjustable launch	16	Guard cup
3	Nut	17	Drainer
4	Main adjustable spring	18	Plug
5	Valve cover	19	Oil window component
6	Diaphragm	20	Damping fin
7	Connecting block	21	Decorative cover
8	FRbody	22	Lubricator valve body
9	Cartridge	23	O-ring
10	Cartridge spring	24	Oil tube
11	Core pedestal	25	Oil cup
12	Impeller	26	Oil cup block
13	Filter core	27	Filter core
14	Barrier board		

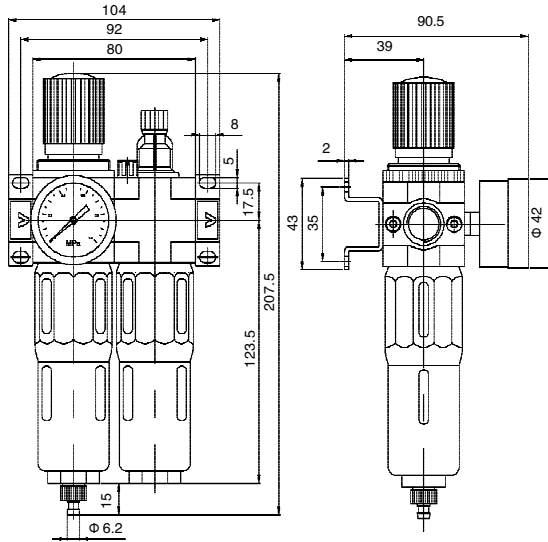
Dimension(mm):

■ DC101-M5、01

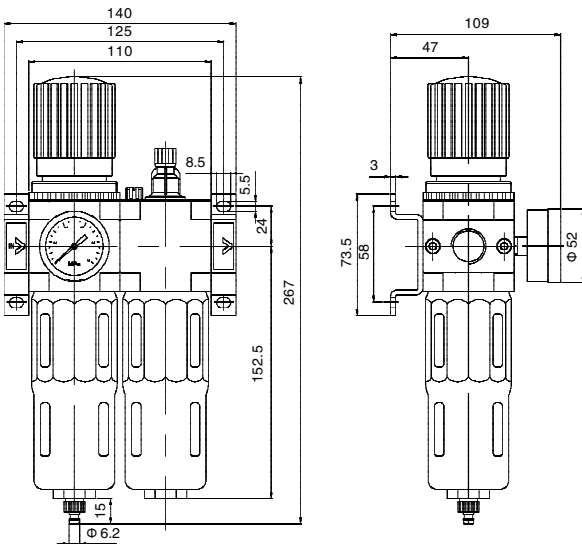


M5 is without connector

■ DC201-01、02、03



■ DC401-03、04、06



■ DC601-06、08

