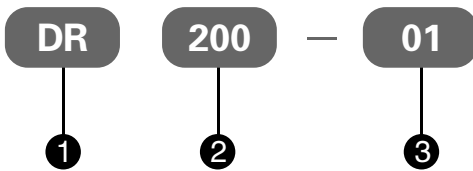


DR Air Source Treatment Unit

Regulator

Specification:

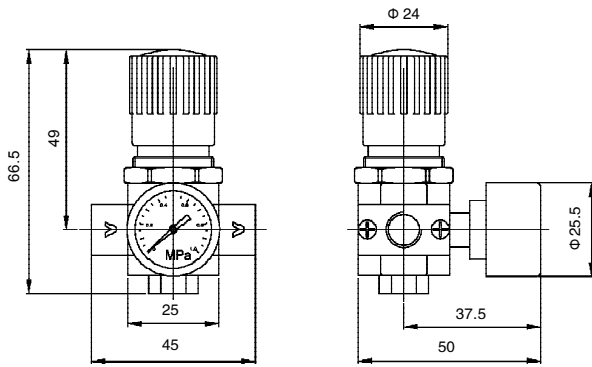
| Type | DR100-M5, 01 | DR200-01,02,03 | DR400-03,04,06 | DR600-06,08 |
|------------------------------|----------------|--------------------|--------------------|-------------|
| Port size G | M5 · 1/8" | 1/8" · 1/4" · 3/8" | 3/8" · 1/2" · 3/4" | 3/4" · 1" |
| Gauge thread G | M5 | 1/8" | 1/4" | |
| Fluid | Compressed Air | | | |
| Operating pressure range MPa | 0.15~0.85 | 0.15~1.2 | | |
| Max.Flow rate L/min | 500 | 1700 | 3500 | 11500 |
| Ambient temperature °C | -10~60 | | | |

**How to order:**

| | |
|----------|---|
| 1 | DR Regulator |
| 2 | Type: 100,200,400,600 |
| 3 | Port size: M5,01:G1/8",02:G1/4",03:G3/8",04:G1/2",06:G3/4",08:G1" |

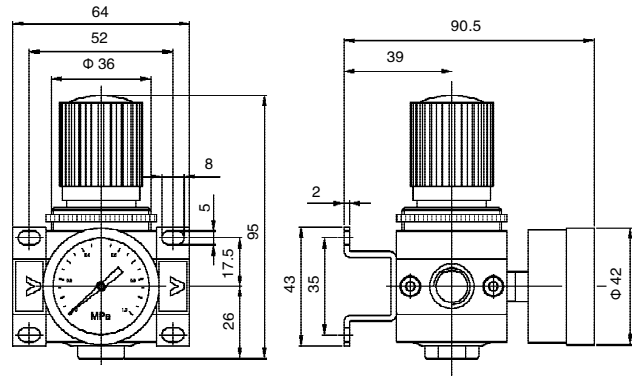
Dimension(mm):

■ DR100-M5、01

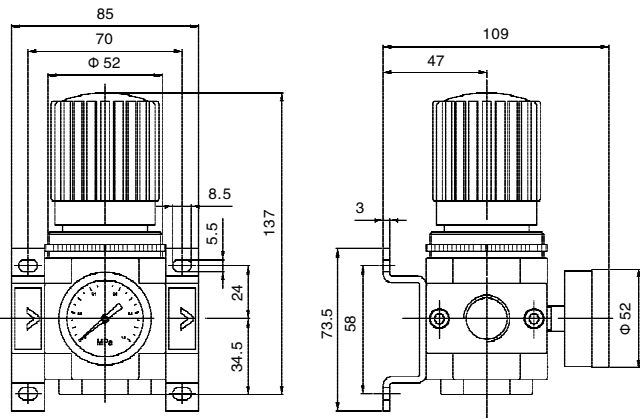


M5 is without connector

■ DR200-01、02、03



■ DR400-03、04、06



■ DR600-06、08

