

Hydraulic Directional Control Valves

Nordvalves
hydraulic components



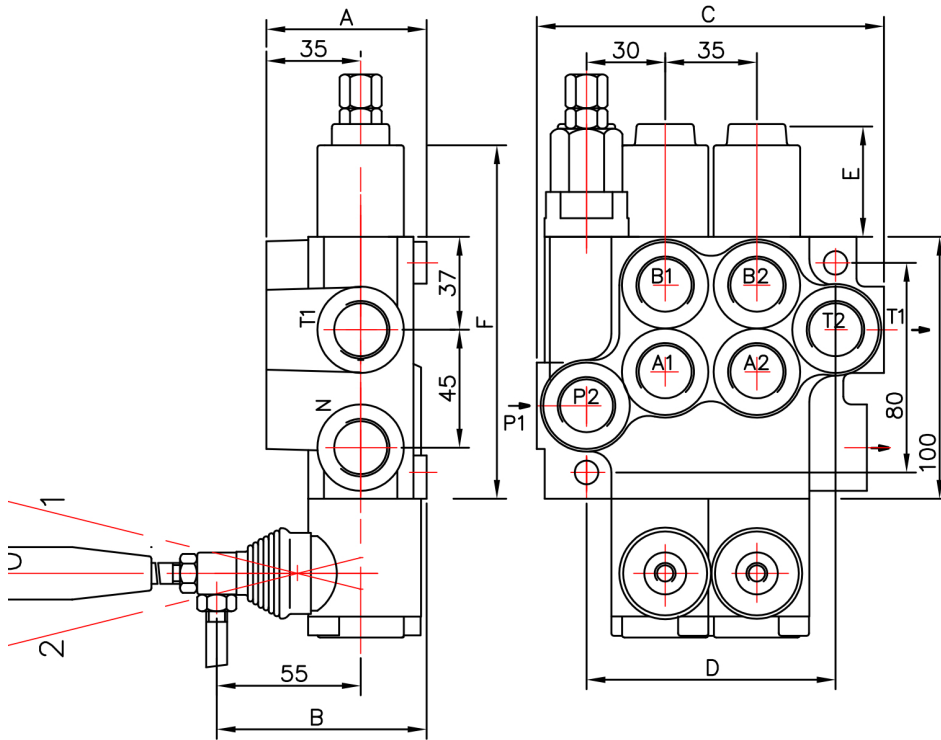
Description

For starting, controlling and stopping the working fluid between the generator of pressured flow, the consumers at the Tank.

Specifications

1.Valve monoblock	
2.Mounting	2 bolts M8
3.Pressure connections	internal thread
4.Ambient temperature	-40C...+60C
5.Pressure medium	mineral oil based hydraulic oil
6.Viscosity	12...800 mm ² /s permissible range 20...100 mm ² /s recommended range
7.Fluid temperature	- 15C...+80C
8.Filtration	Oil contamination 10 to NAS1638
9. Max. operating pressure max. bar	P = 250 bar T = 50 bar A, B = 300 bar
10.Leakage	15 cm ³ /min at 120 bar
11.Nominal flow	40 l/min (see "operating" diagram)
12.Spool stroke	± 6 mm
13.Actuating force	< 200 N in spool axis direction

Left hand configuration - standart



Right hand configuration

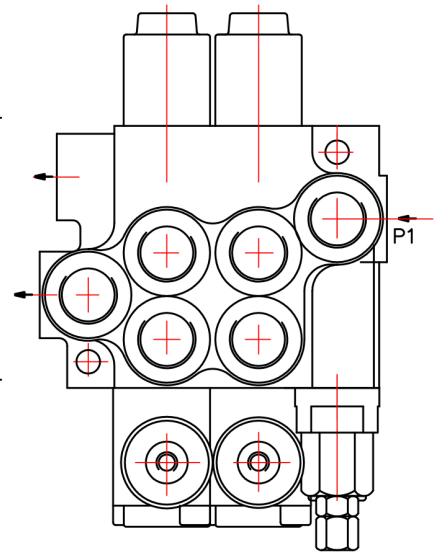


Table 1

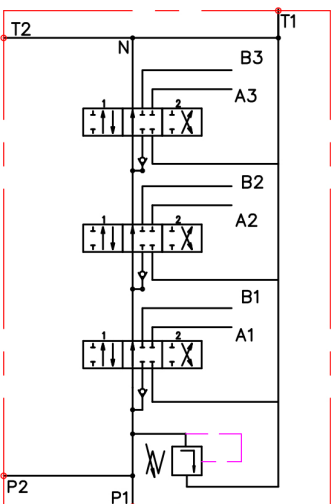
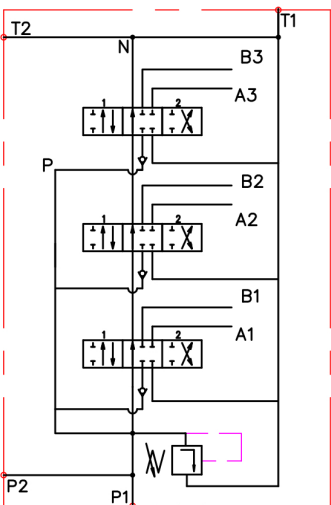
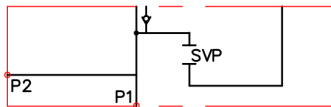
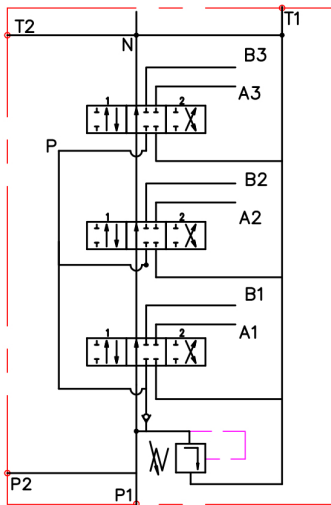
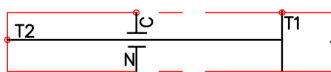
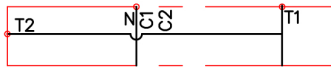
	A	B	C	D	P1	P2	T1	T2
P40	60	80	85	60	+	-	+	-
02P40	60	80	129	97	+	+	+	+
03P40	60	80	164	132	+	+	+	+
04P40	60	80	199	167	+	+	+	+
05P40	60	80	234	202	+	+	+	+
06P40	60	80	269	237	+	+	+	+
07P40	60	80	304	272	+	+	+	+
2P40	60	80	129	97	+	+	+	+
3P40	60	80	164	132	+	+	+	+
4P40	60	80	199	167	+	+	+	+

Table 2

spool control	E	F
1; 4; 5; 6; 7; 8; 9; 10; 11;	40	193
2; 3;	72	225
16	+	+

0 2 P40 R 1 A 1 A 1 G KZ1 T H E C2 11
 block with common check valve _____
 number of spools _____
 directional control valve type ... _____
 inlet high pressure - right _____
 way of distribution/parallel or .../ _____
 first spool distribution type _____
 spool control/detend and estr./ _____
 second spool distribution type _____
 spool control/detend and estr./ _____
 ports /treads/ _____
 general operation feature _____
 with "teton" _____
 operation feature /pneumatic, .../ _____
 with electric switch _____
 high pressure carry over _____
 connection ports in use _____

OSP40 1A1A1A1



SP40 1A1A1A1

SP40 2A1A1A1

Power beyond
High pressure carry over

Closed center

Standard

Without relief valve

Table 3

code	Number of spools
	1
02, 2	2
03, 3	3

Table 4

code	way of distribution
1	parallel
2	tandem(series parallel)

ets.

Table 5

code	spool type
A	
B	
C	
D	
E	
F	
G	
H	
M	
N	
O	
P	
Q	
R	
S	
T	
* K	
** L	

* only for left hand configuration

** only for right hand configuration

Table 6

code	spool control
1	
2	
3	
4	
5	
6	
7	
8	
9	
10	
11	
* 15	
* 16	
** 12	
** 13	

* only for left hand configuration

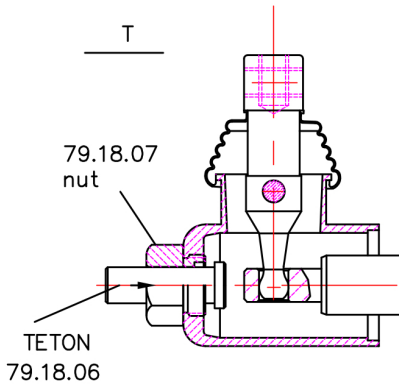
** only for right hand configuration

Table 7

code	incorporated microswitch	
E		mikroswitch type Omron-V 165 I C5

Table 8

code	operation feature	
P		on-off pneumatic control; 5-10 bar ; ports NPTF 1/8-27
H		on-off hydraulic control ; pn = 5 - 20 bar ; ports G1/4



P40

Table 9

code	ports (treads)			
	P	A ; B	T	N
M	M22x1.5	M18x1.5	M22x1.5	M22x1.5
G	G1/2	G3/8	G1/2	G1/2
S	7/8-14UNF	3/4-16UNF	7/8-14UNF	7/8-14UNF

kind of hand control ; bug

Table 10

code	feature	code	feature	code	feature
KZ		KY		KI	
KZ1		KY1		KI1	
KZ0		KY0		KI0	
KZ01		KY01		KI01	
-	without hand control ;				

P40 directional control valve

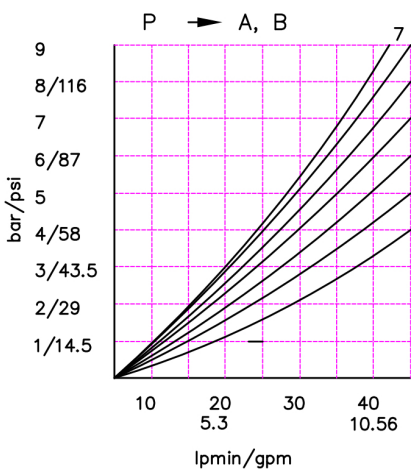
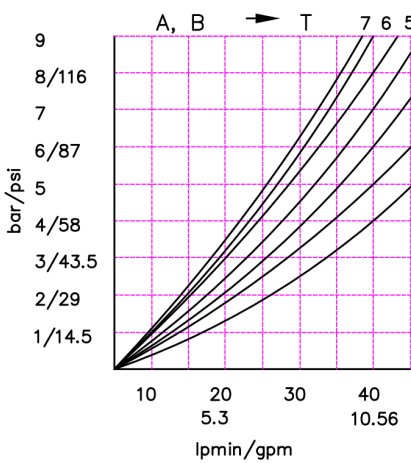
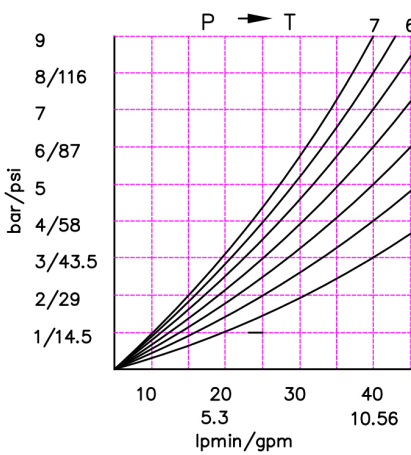


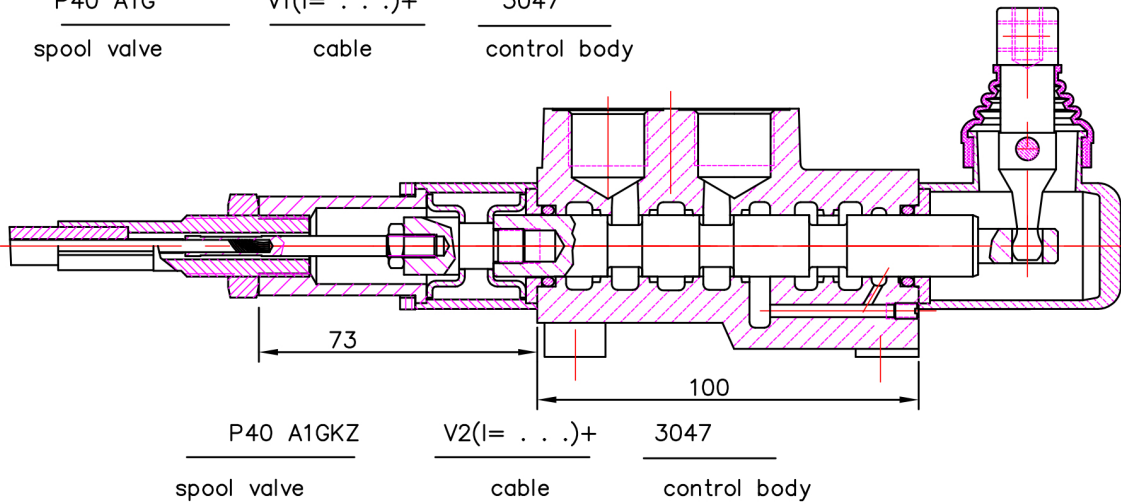
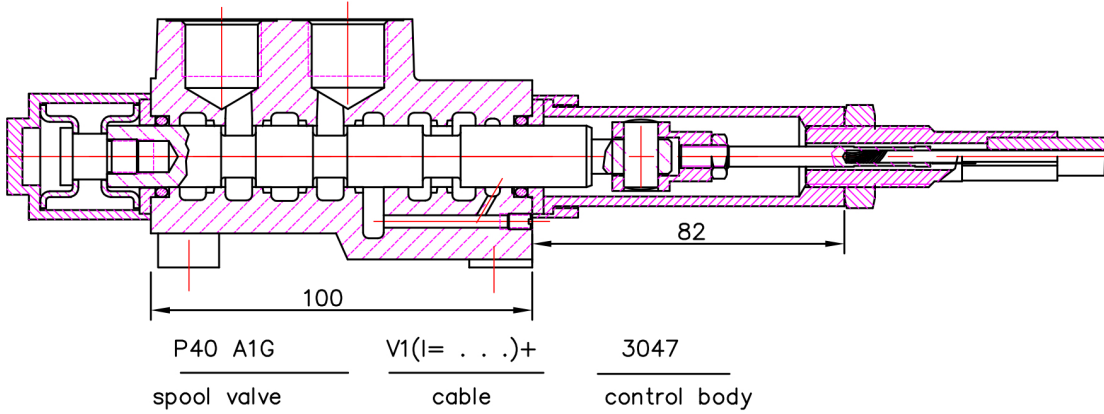
Table 11

code	bug	
C	closed center	
C1	part for power beyond sleeve(carry over)	ø14 mm M22x1.5
C2	part for power beyond sleeve(carry over)	G 1/2 M22x1.5
-	without part for pressure carry over	
X	power beyond ever to tank	

Table 12

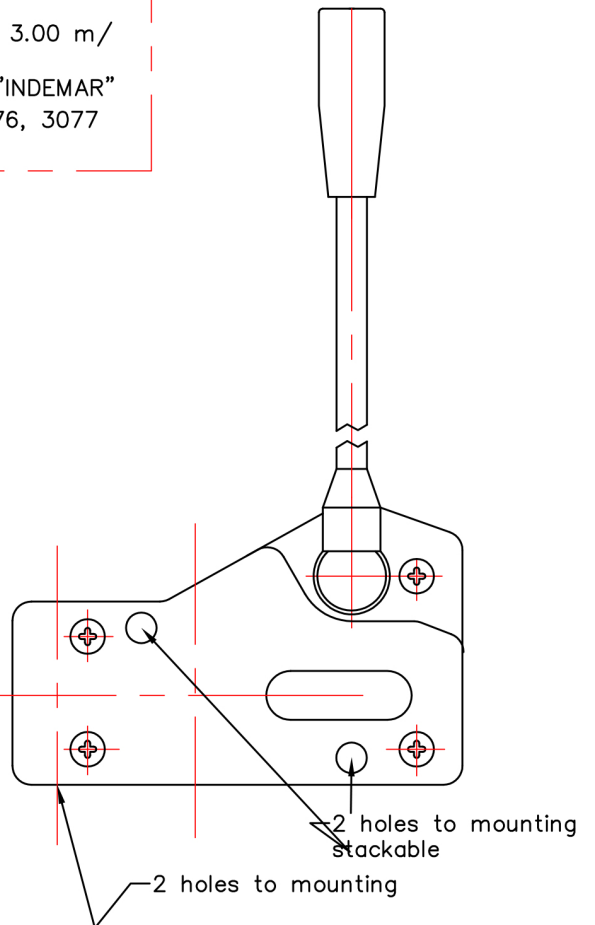
code	used connection ports ;
11	P1 ; T1
12	P1 ; T2
21	P2 ; T1
22	P2 ; T2

REMOTE CONTROLS



Cable "INDEMAR" Cod. IT 3056 /l=1.00; 1.50; 2.00; 2.50; 3.00 m/
+control body "INDEMAR" code 3047, 3076, 3077

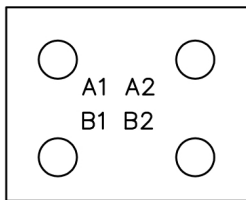
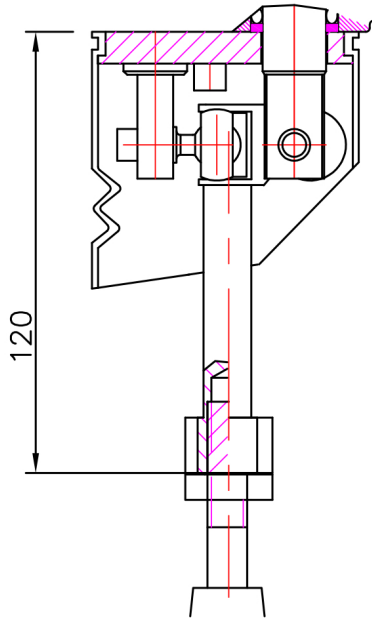
Technical specifications			
	3047	3076	3077
Stroke	13+13 mm	13+13 mm	13+13 mm
Max. load	45 kg	45 kg	45 kg
Level ratio	10:1	10:1	10:1
Lock in neutral	No	No	Yes
Antireverse lock	No	Yes	No
Body colour	Black	Black	Black
Cables type	Heavy Duty	Heavy Duty	Heavy Duty
Operating temperature	-40/+80C	-40/+80C	-40/+80C



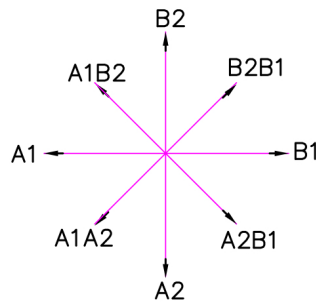
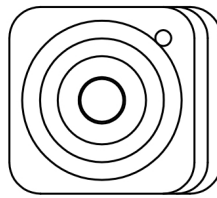
High solidity controls for easy mounting on every type of distributor. They can be mounted stand alone or packed together. They use push-pull heavy duty cables that provide a positive smooth operating lever and are manufactured in three different models to meet different needs of Clients.

JOYSTICK "+"

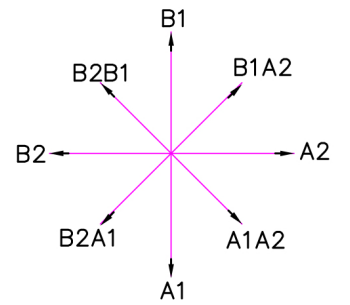
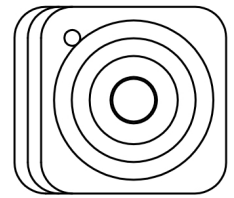
This control gives the possibility to operate, at the same time two spools with a "+" movement.



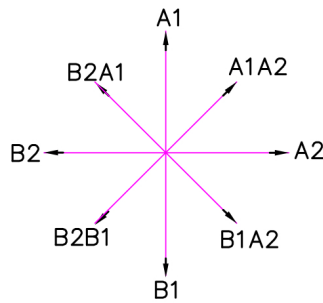
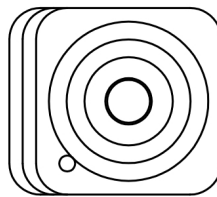
standard version 1



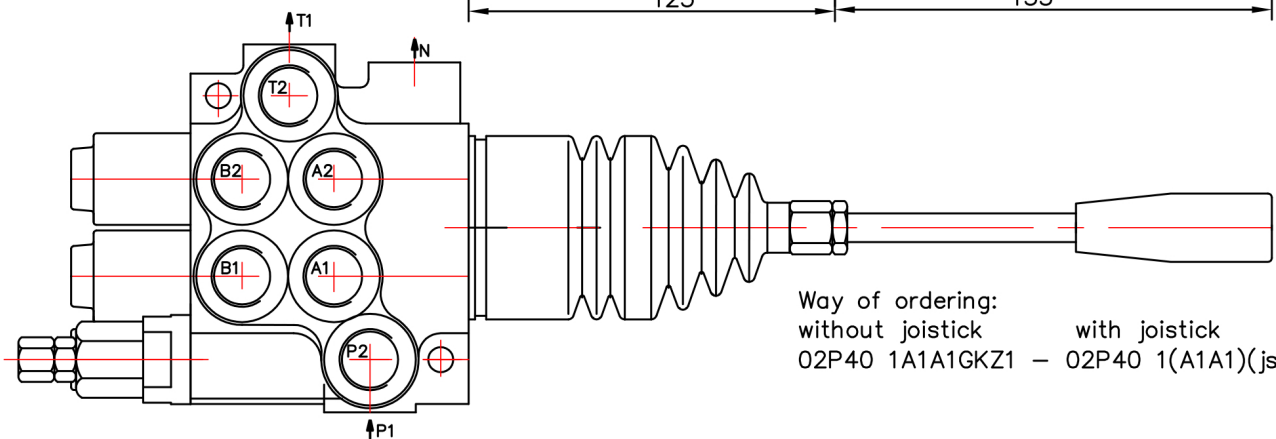
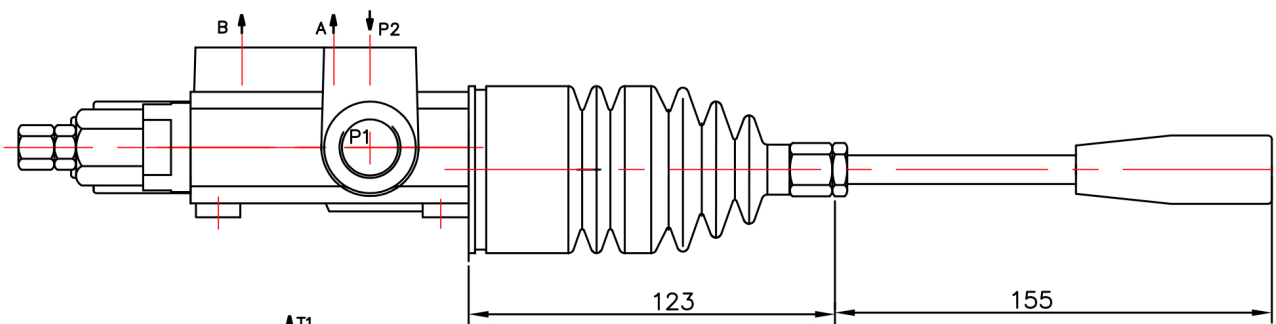
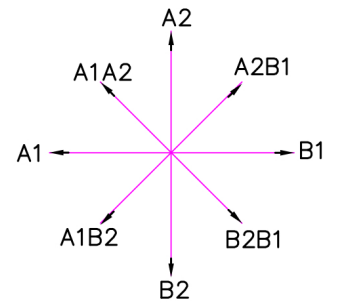
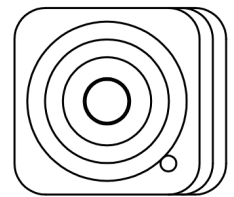
standard version 2



standard version 3



standard version 4



Way of ordering:
 without joystick with joystick
 02P40 1A1A1GKZ1 - 02P40 1(A1A1)(js+3)G