

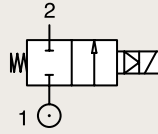
2 Way Valves

2/2 Valves for water Pilot Operated

BRASS

PIPE MOUNTING

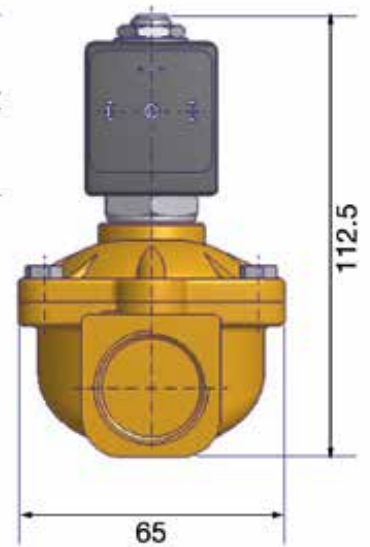
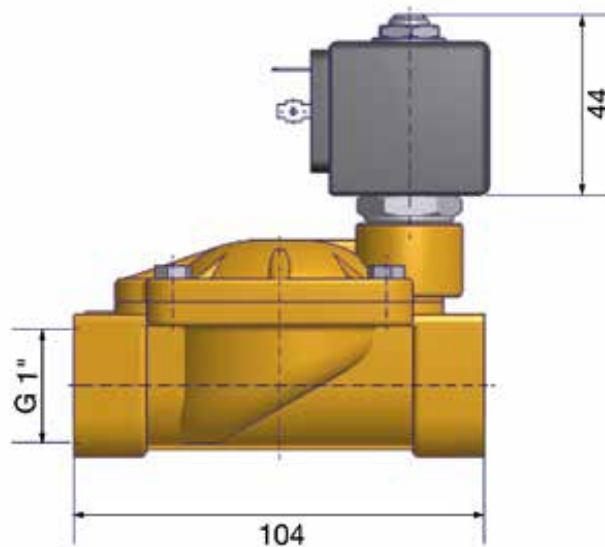
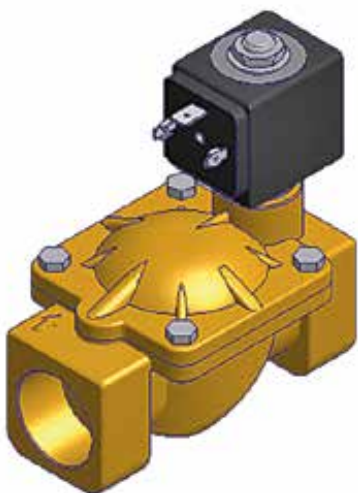
NORMALLY CLOSED



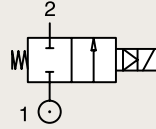
Port size	Orifice Ø	Flow factors			Seat Seal	Atex Zone	Operating Pressure Differential		Fluid Temp.		Power	Voltage	Solenoid Valve Order Number
		BSP	mm	Kv l/min			KV m³/h	Qn l/min	Min bar	Max bar			
1"	25	160	9.60	-	EPDM	-	0.1	10	-10	140	8	220-230V/50Hz	550029DIS
							0.1	10	-10	140	9	24 Vdc	550028DIS
							0.1	20	-10	90	8	220-230V/50Hz	550031DIS
							0.1	20	-10	90	9	24 Vdc	550030DIS
							0.1	20	-10	140	8	220-230V/50Hz	550204DIS
							0.1	20	-10	140	9	24 Vdc	550203DIS
					FKM	2-22	0.1	20	-10	50	8	220-230V/50Hz	550214DIS
							0.1	20	-10	50	9	24 Vdc	550213DIS
						1-21	0.1	20	-10	80	8	230V/50Hz	550206DIS
							0.1	20	-10	80	8	24 Vdc	550205DIS

ATEX

Fast Delivery

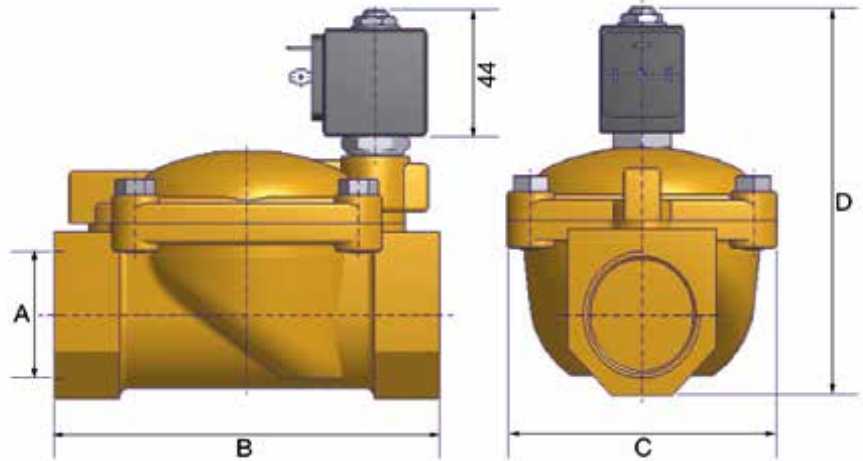
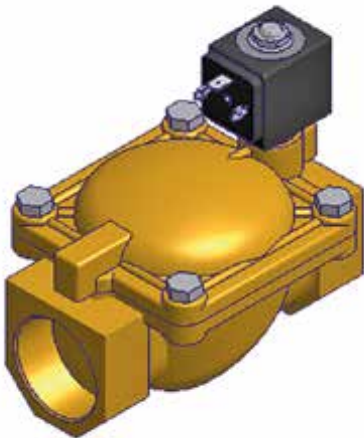


BRASS
PIPE MOUNTING
NORMALLY CLOSED



Port size	Orifice Ø	Flow factors			Seat Seal	Atex Zone	Operating Pressure Differential		Fluid Temp.		Power	Voltage	Solenoid Valve Order Number
		BSP	mm	Kv l/min			KV m³/h	Qn l/min	Min bar	Max bar			
1 1/4"	35	420	25.20	-	EPDM	-	0.1	10	-10	140	8	220-230V/50Hz	550208DIS
							0.1	10	-10	140	9	24 Vdc	550207DIS
							0.1	10	-10	90	8	220-230V/50Hz	550033DIS
							0.1	10	-10	90	9	24 Vdc	550032DIS
1 1/2"	40	500	30.00	-	EPDM	-	0.1	10	-10	140	8	220-230V/50Hz	550210DIS
							0.1	10	-10	140	9	24 Vdc	550209DIS
							0.1	10	-10	90	8	220-230V/50Hz	550035DIS
							0.1	10	-10	90	9	24 Vdc	550034DIS
2"	50	620	37.20	-	EPDM	-	0.1	10	-10	140	8	220-230V/50Hz	550218DIS
							0.1	10	-10	140	9	24 Vdc	550217DIS
							0.1	10	-10	90	8	220-230V/50Hz	550216DIS
							0.1	10	-10	90	9	24 Vdc	550215DIS

Fast Delivery

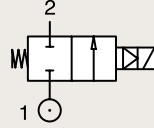


A	B	C	D
G	mm	mm	mm
1 1/4"	145	102	134
1 1/2"	145	102	134
2"	173	118	148

BRASS

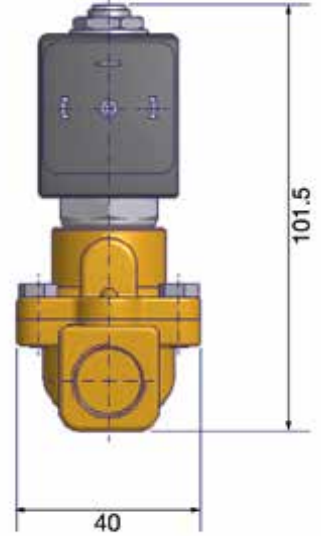
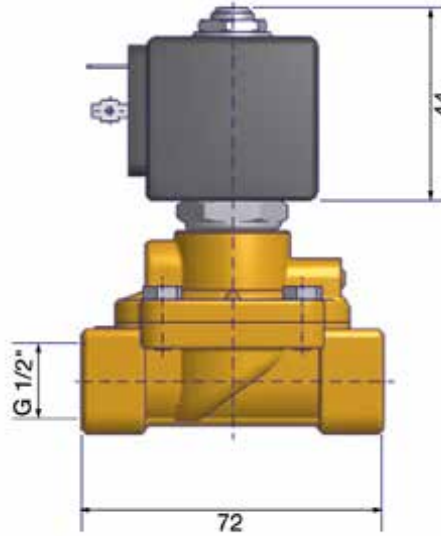
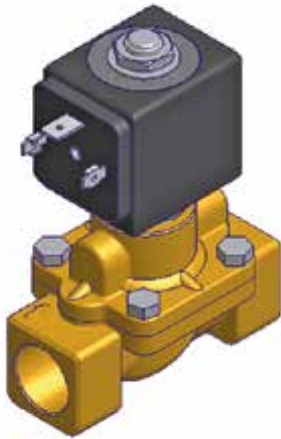
PIPE MOUNTING

NORMALLY CLOSED



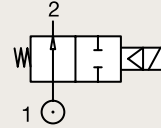
Port size	Orifice Ø	Flow factors			Seat Seal	Atex Zone	Operating Pressure Differential		Fluid Temp.		Power	Voltage	Solenoid Valve Order Number
		BSP	mm	Kv l/min			KV m³/h	Qn l/min	Min bar	Max bar			
1/2"	13	50	3.00	-	NBR	-	0.1	20	-10	90	8	220-230V/50Hz	550023DIS
							0.1	20	-10	90	9	24 Vdc	550022DIS

Fast Delivery



BRASS PIPE MOUNTING

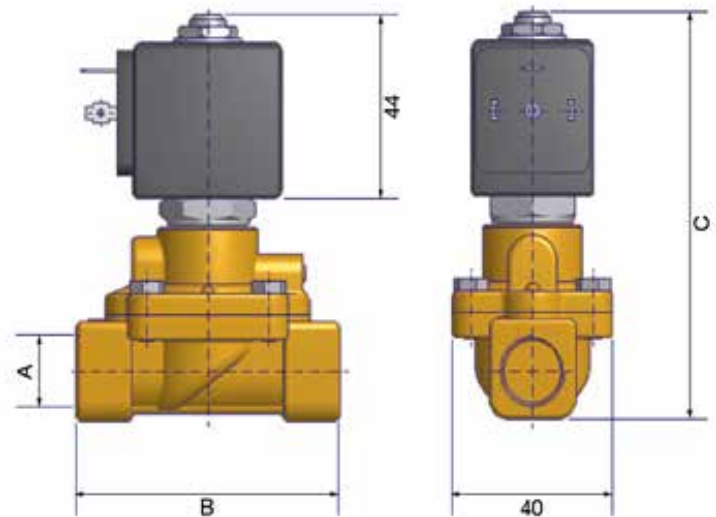
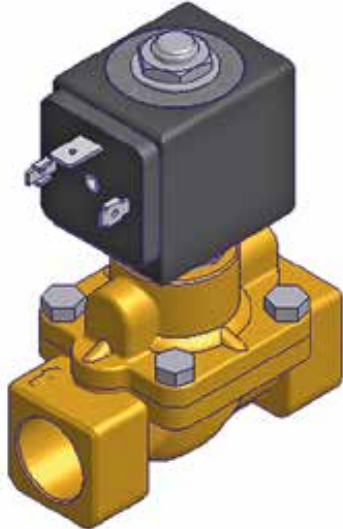
NORMALLY OPEN



Port size	Orifice Ø	Flow factors			Seat Seal	Atex Zone	Operating Pressure Differential		Fluid Temp.		Power	Voltage	Solenoid Valve Order Number						
		Kv l/min	KV m³/h	Qn l/min			Min bar	Max bar	Min °C	Max °C				W					
3/8"	13	50	3.00	-	NBR	-	0.1	20	-10	90	8	220-230V/50Hz	550057DIS						
							0.1	20	-10	90	9	24 Vdc	550056DIS						
						2-22	0.1	20	-10	50	8	220-230V/50Hz	550192DIS						
							0.1	20	-10	50	9	24 Vdc	550191DIS						
						1-21	0.1	20	-10	80	8	230V/50Hz	550152DIS						
							0.1	20	-10	80	8	24 Vdc	550151DIS						
						1/2"	13	50	3.00	-	NBR	-	0.1	20	-10	90	8	220-230V/50Hz	550047DIS
													0.1	20	-10	90	9	24 Vdc	550046DIS
2-22	0.1	20	-10	50	8							220-230V/50Hz	550182DIS						
	0.1	20	-10	50	9							24 Vdc	550181DIS						
1-21	0.1	20	-10	80	8							230V/50Hz	550142DIS						
	0.1	20	-10	80	8							24 Vdc	550141DIS						

ATEX ATEX

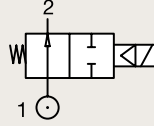
Fast Delivery



A	B	C
G	mm	mm
3/8"	69	99.5
1/2"	72	101.5

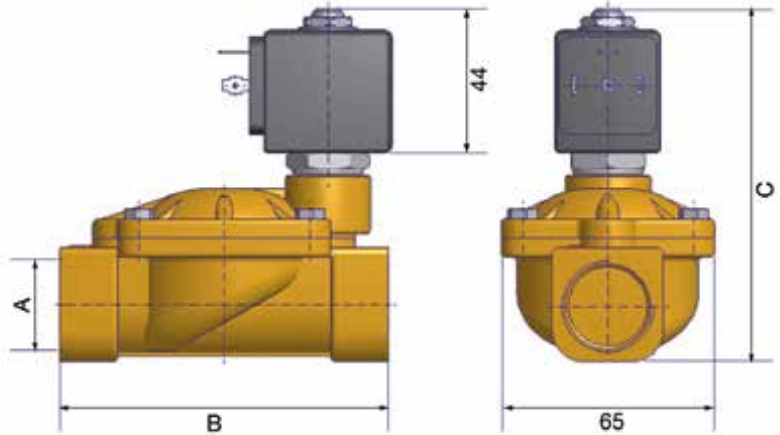
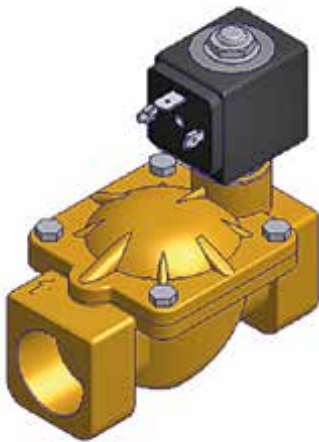
BRASS PIPE MOUNTING

NORMALLY OPEN



Port size	Orifice Ø	Flow factors			Seat Seal	Atex Zone	Operating Pressure Differential		Fluid Temp.		Power	Voltage	Solenoid Valve Order Number
		BSP	mm	Kv l/min			KV m³/h	Qn l/min	Min bar	Max bar			
3/4"	20	140	8.40	-	NBR	-	0.1	20	-10	90	8	220-230V/50Hz	550049DIS
							0.1	20	-10	90	9	24 Vdc	550048DIS
						2-22	0.1	20	-10	50	8	220-230V/50Hz	550184DIS
							0.1	20	-10	50	9	24 Vdc	550183DIS
						1-21	0.1	20	-10	80	8	230V/50Hz	550144DIS
							0.1	20	-10	80	8	24 Vdc	550143DIS
1"	25	160	9.60	-	NBR	-	0.1	20	-10	90	8	220-230V/50Hz	550051DIS
							0.1	20	-10	90	9	24 Vdc	550050DIS
						2-22	0.1	20	-10	50	8	220-230V/50Hz	550186DIS
							0.1	20	-10	50	9	24 Vdc	550185DIS
						1-21	0.1	20	-10	80	8	230V/50Hz	550146DIS
							0.1	20	-10	80	8	24 Vdc	550145DIS

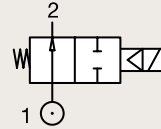
Fast Delivery



A	B	C
G	mm	mm
3/4"	100	107
1"	104	112.5

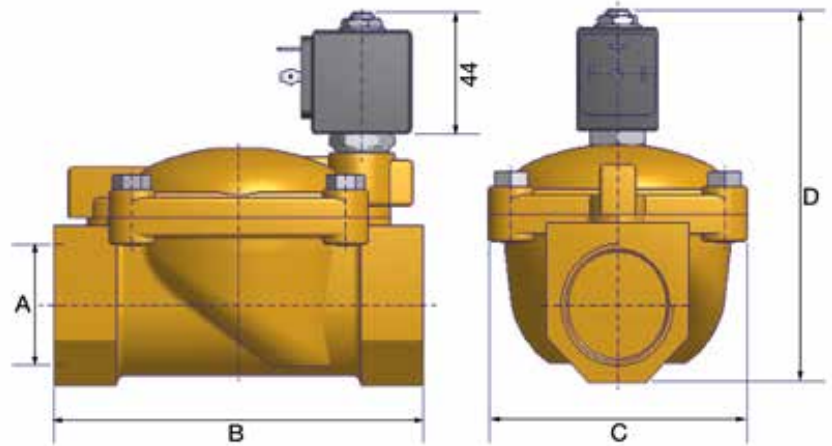
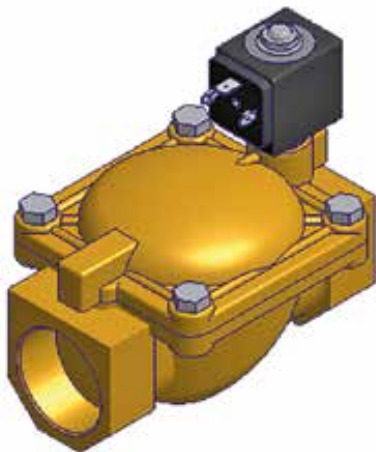
BRASS PIPE MOUNTING

NORMALLY OPEN



Port size	Orifice Ø	Flow factors			Seat Seal	Atex Zone	Operating Pressure Differential		Fluid Temp.		Power	Voltage	Solenoid Valve Order Number						
		Kv l/min	KV m³/h	Qn l/min			Min bar	Max bar	Min °C	Max °C				W					
1 1/2"	40	500	30.00	-	NBR	-	0.1	10	-10	90	8	220-230V/50Hz	550053DIS						
							0.1	10	-10	90	9	24 Vdc	550052DIS						
						2-22	0.1	10	-10	50	8	220-230V/50Hz	550188DIS						
							0.1	10	-10	50	9	24 Vdc	550187DIS						
						1-21	0.1	10	-10	80	8	230V/50Hz	550148DIS						
							0.1	10	-10	80	8	24 Vdc	550147DIS						
						2"	50	620	37.20	-	NBR	-	0.1	10	-10	90	8	220-230V/50Hz	550055DIS
													0.1	10	-10	90	9	24 Vdc	550054DIS
2-22	0.1	10	-10	50	8							220-230V/50Hz	550190DIS						
	0.1	10	-10	50	9							24 Vdc	550189DIS						
1-21	0.1	10	-10	80	8							230V/50Hz	550150DIS						
	0.1	10	-10	80	8							24 Vdc	550149DIS						

Fast Delivery



A	B	C	D
G	mm	mm	mm
1 1/2"	145	102	134
2"	173	118	148