

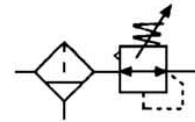
Professional Range Mark 2 Filter Regulator



Specification:

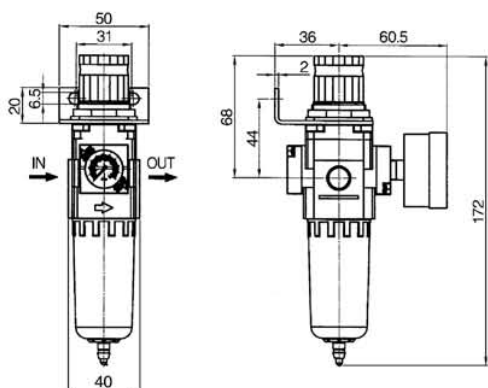
| Type | FM2-20-01-W | FM2-30-02-C | FM2-40-03-C FM2-40-04-C | FM2-50-06-C / FM2-50-10-C |
|------------------------------|------------------|-------------|----------------------------|------------------------------|
| Port size G | 1/8" · 1/4" | 1/4" · 3/8" | 3/8" · 1/2" | 3/4" · 1" |
| Gauge thread G | 1/8" | | 1/4" | |
| Fluid | Air | | | |
| Operating pressure range MPa | 0.15~0.85 | | | |
| Max.Flow rate L/min | 5000 | 1700 | 3000 | 5000 |
| Ambient temperature °C | -10~60 | | | |
| Filter precision | Standard: 20 μ m | | | |
| Cup material | Polycarbonate | | | |
| Guard cup | ● | ● | ● | ● |

Notes 1: The guard cup of AW200A series can be optional. 2: The cups of AW200A, AW300A series can be optional.

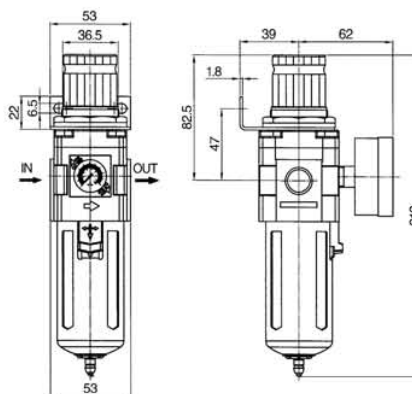


Dimension(mm):

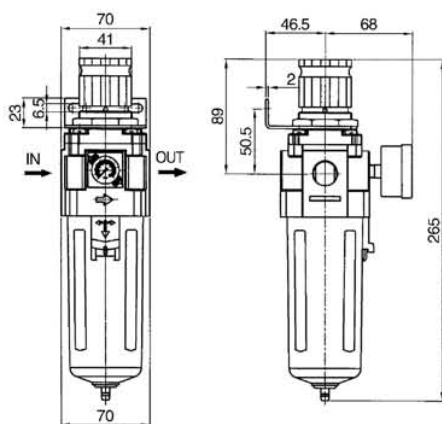
FM2-20-01-W



FM2-30-01-W



FM2-40-03-W & FM2-40-04-W



FM2-50-06-W & FM2-50-10-W

