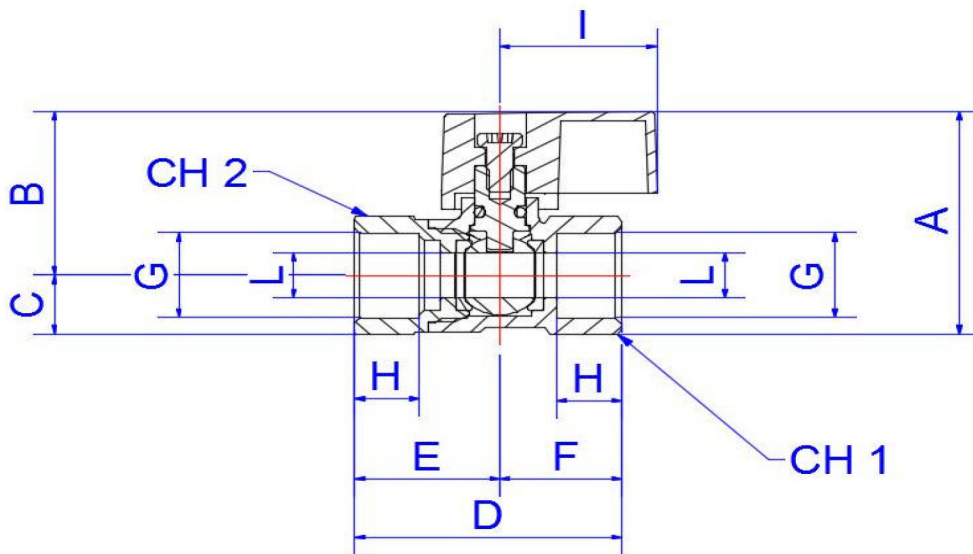


# Mini Ball Valves



PART CODE	Size BSPP	A	B	C	D	E	F	G	H	I	L	CH1	CH2	PN Max Bar
TEMBVFF-1/4	1/4"	39,6	29	10,5	41,3	22,5	18,8	1/4"	10	24,3	8	19	19	20
TEMBVFF-3/8	3/8"	39,6	29	10,5	41,3	22,5	18,8	3/8"	10	24,3	8	19	19	20
TEMBVFF-1/2	1/2"	43,8	30,3	13,5	45	24,5	20,5	1/2"	10	24,3	10	25	25	20

## MATERIALS

BODY: Brass CW617N-UNIEN12165

END CONNECTION: Brass CW614N-UNIEN12164

BALL: Brass CW614N-UNIEN12164 chrome-plated

STEM: Brass CW614N-UNIEN12164

SEAL: pure PTFE

O-Ring: Nbr

HANDLE: Abs

SCREW: Zincplated steel

Working temperature:  
-10° +90°C

Threads: UNI ISO 228/1

**FINAL TEST**  
conforming with  
UNI EN 12266-1 points A3 or A4