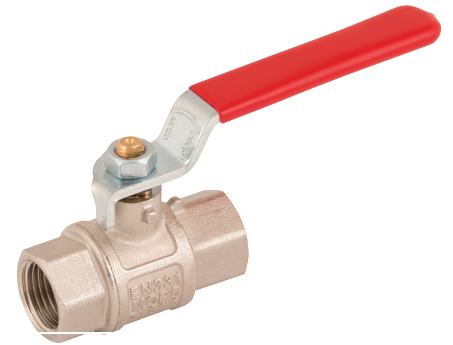


# Oxygen Ball Valves

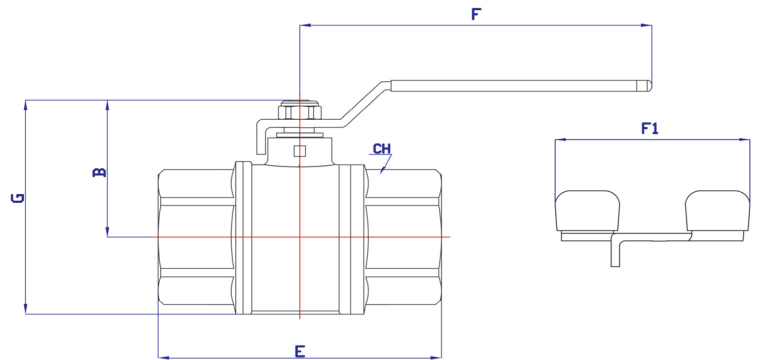


## MATERIALS

- BODY, SLEEVE: Brass CW617N-UNIEN12165
- STEM: Brass CW614N-UNIEN12164
- BALL: Brass CW617N-UNIEN12165 chrome-plated
- SEALS, O-Ring: pure PTFE
- SEEGER: bronze
- HANDLE: Zincplated steel, plastic cover
- NUT: Zincplated steel

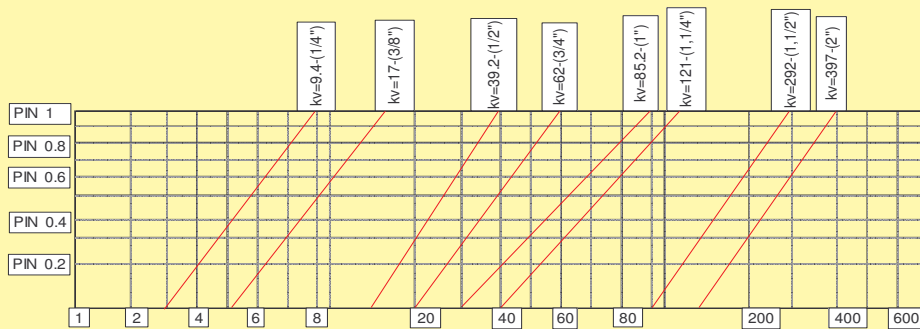
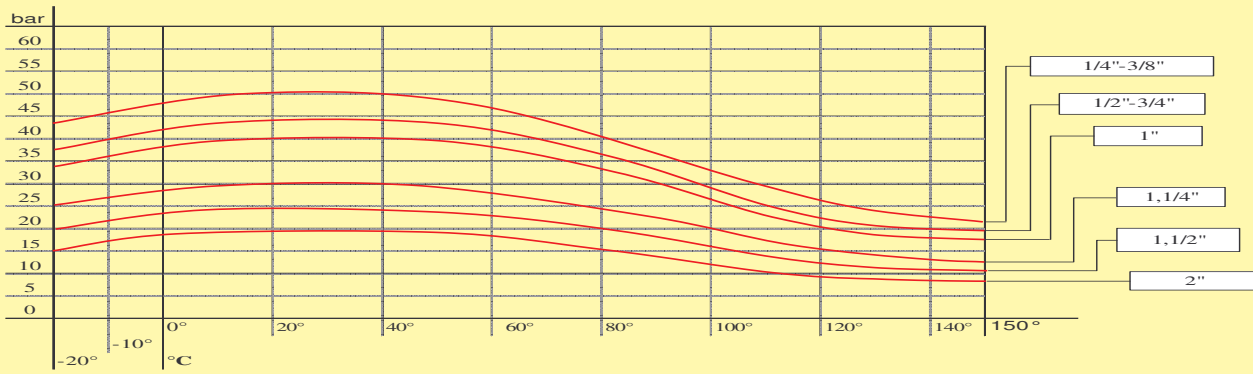


Misura Size	B	E	F	G	F1	CH	DN	PN bar 20°/40 °C
1/4"	36,5	50	100	51	68	21	10	63
3/8"	36,5	50,3	100	51	68	21	12	63
1/2"	51	61	100	60	68	25	15	50
3/4"	56	70	120	66	68	30	20	50
1"	58	81	120	74	68	37	25	45
1,1/4"	73	94	158	89	-	48	32	30
1,1/2"	78	105	158	101	-	54	40	25
2"	93	126	158	122	-	66	50	20



## TECHNICAL DATA

pressure / temperature



Threads: **UNI EN 10226-1 (ex ISO7/1)**  
 For 1/4"-3/8": **UNI ISO 228/1**

Working temperature: **-10° +120°C**  
 Valve conforming with directive **97/23/EC**  
**FINAL TEST**  
 conforming with **UNI EN 12266-1 points A3 or A4**  
 For 1,1/2"-2"-2,1/2"-3"-4" sizes: conforming with directive **97/23/EC**

INSTRUCTIONS: Valve opened: the handle is parallel to the body

Valve closed: the handle is perpendicular to the body

This valve must be employed according to this data sheet instruction. It can be employed for dangerous fluids.

Ref. DIRECTIVE 97/23/EC PED Group 1 fluids