

# Racor Automotive Filtration



The primary business of Racor is the design and manufacture of engine filtration solutions for the world's leading truck manufacturers. Racor has worked in partnership with many leading automotive OEMs to design and manufacture the product installed as first fit on the engine or truck.

# Applications Guide

## Referenced to Racor Part Number

Racor Part Number	OEM	Application	OEM Part Number	Page #
4160DRCR02	Ford	Fuel: Cargo 10.2L, 9.0L, 7.3L	6C46-9155-EA	12
4160DRCR03	Ford	Fuel: Cargo 10.2L, 9.0L, 7.3L	DC46-9155-AB	12
LDP160R20RCR02	Iveco	Fuel: Euro 6 - Stralis	580 1510 524	19
LDP160R20RCR10	Iveco	Fuel: Euro 6 - Stralis	580 1510 519	19
4160RHHV10MTC-SLV	Mercedes	Fuel: Euro 4/5 - Actros I, Actros I MP2 + MP3, Atego I, Atego II, Axor I, Axor II	A 000 470 04 69	28
490RP10-D-01	Iveco	Fuel: Euro 5 - Stralis, Strator	5041 01 411	18
MD5790PRV10RCR02	Iveco	Fuel: Euro 5 - Eurocargo	504 192 159	20
MD5790PRV10RCR01	Iveco	Fuel: Euro 5 - Eurocargo	504 192 165	20
KR50013	Scania	Fuel: Euro 4/5 – Series 4, G, P, R, T	Racor Exclusive	43
DRK 00008	Ford	Fuel: Cargo 10.2L, 9.0L, 7.3L	Racor Exclusive	12
DRK 00008	Iveco	Fuel: Euro 5 - Stralis, Strator	Racor Exclusive	18
DRK 00036	Mercedes	Fuel: Euro 4/5 - Actros I, Actros I MP2 + MP3, Atego I, Atego II, Axor I, Axor II	A 000 477 45 08	28
DRK 00037	Mercedes	Fuel: Euro 4/5 - Actros I, Actros I MP2 + MP3, Atego I, Atego II, Axor I, Axor II	A 000 477 25 16	28
DRK 00054	Ford	Fuel: Cargo 10.2L, 9.0L, 7.3L	DC46-9176-BA	12
DRK 00195	Renault	Fuel: Euro 4/5 - Midlum	20900648	38
DRK 00195	Volvo	Fuel: Euro 4/5 - FE II, FL II	7420900648	53
DRK 00230	Ford	Fuel: Cargo 10.2L, 9.0L, 7.3L	Racor Exclusive	12
DRK 00230	Iveco	Fuel: Euro 6 - Stralis	Racor Exclusive	19
DRK 00388	Renault	Fuel: Euro 4/5 – Kerax, Magnum, Premium	20869391	36
DRK 00388	Volvo	Fuel: Euro 4/5 – FH12, FH16, FL, FM	20869391	51
DRK 00391	Volvo	Fuel: Euro 4/5 – FH12, FH16, FL, FM	21023285	51
DRK 00391	Volvo	Fuel: Euro 4/5 – FH12, FH16, FL, FM	21870628	51
DRK 00396	Renault	Fuel: Euro 4/5 – Kerax, Magnum, Premium	7420869391	36
DRK 00396	Volvo	Fuel: Euro 4/5 – FH12, FH16, FL, FM	2086387	51
DRK00404	Renault	Fuel: Euro 4/5 – Kerax, Magnum, Premium	7421023287	36
DRK00404	Volvo	Fuel: Euro 4/5 – FH12, FH16, FL, FM	21900852	51
DRK00409	Ford	Fuel: Cargo 10.2L, 9.0L, 7.3L	5C46-9J294-BB	12
DRK 00055	Iveco	Fuel: Euro 5 - Stralis, Strator	Racor Exclusive	18
DRK 00055	Iveco	Fuel: Euro 6 - Stralis	Racor Exclusive	19
DRK 00121	Iveco	Fuel: Euro 5 - Stralis, Strator	Racor Exclusive	18
DRK 00195	Volvo	Fuel: Euro 4/5 – FE II, FL II	7420900648	53
DRK 00292-RCR	Iveco	CCV: Euro 6 – Eurocargo	DRK00292	17
DRK00405	Renault	Fuel: Euro 6 - Magnum	21879909	37
DRK00405	Volvo	Fuel: Euro 6 – FH16	21879911	52
DRK00407	Renault	Fuel: Euro 6 - Magnum	21762862	21
DRK00407	Volvo	Fuel: Euro 6 – FH16	21762862	52
DRK00408	Renault	Fuel: Euro 4/5 - Midlum	20591254	37
DRK00410	Iveco	Fuel: Euro 5 - Eurocargo	42561607	20

# Applications Guide

## Referenced to Racor Part Number

Racor Part Number	OEM	Application	OEM Part Number	Page #
DRK00417	Ford	CCV: Cargo 10.2L, 9.0L	6C46-6A548-AA	11
DRK00418	Ford	CCV: Cargo 10.2L, 9.0L	6C46-6584-AA	11
DRK00419	Ford	CCV: Cargo 10.2L, 9.0L	KT7C46-6A603-AB	11
DRK00422	Iveco	CCV: Euro 6 – Eurocargo	DRK00291	17
DRK00424	Iveco	CCV: Euro 6 – Eurocargo	Racor Exclusive	17
DRK00426	Ford	Air: Cargo 10.2L	DC46-9628-BA	9
DRK00427	Ford	Air: Cargo 10.2L	DC46-9643-AB	9
DRK00428	Ford	Air: Cargo 10.2L	DC46-9M654-AA	9
DRK00429	Ford	Air: Cargo 10.2L	DC46-7D741-AA	9
DRK00430	Ford	Air: Cargo 10.2L	DC46-9A612-AA	9
DRK00431	Volvo	Fuel: Euro 6 – FH16	21762800	52
DRK00432	Renault	Fuel: Euro 6 - Magnum	21766617	37
DRK00432	Volvo	Fuel: Euro 6 – FH16	21762764	52
ECO-III-XL15S	Ford	Air: Cargo 10.2L	DC46-9600-AC	9
KR 27004	Scania	Fuel: Euro 4/5 – Series 4, G, P, R, T	1407702	43
KR 27004-H	Scania	Fuel: Euro 4/5 – Series 4, G, P, R, T	Racor Exclusive	43
LFS TF1006RE	Scania	Fuel: Euro 4/5 – Series 4, G, P, R, T	176 8402	45
MD5760DTV30RCR01	Renault	Fuel: Euro 4/5 - Midlum	21088114	38
MD5760DTV30RCR01	Volvo	Fuel: Euro 4/5 – FE II, FL II	20591265	53
MD5760DTV30RCR02	Renault	Fuel: Euro 4/5 - Midlum	21088121	38
MD5760DTV30RCR02	Volvo	Fuel: Euro 4/5 – FE II, FL II	20591266	53
PFF5600	MAN	Fuel: F2000, F2000 Evolution, FE, TGA	81.12501.0033	23
PFF5601	MAN	Fuel: F2000, F2000 Evolution, FE, TGA	81.12503.0086	23
PFF5605	Scania	Fuel: Euro 4/5 – Series 4, G, P, R, T	1518512	43
PFF67555	Mercedes	Fuel: Euro 6 - Actros	A 000 090 42 51	29
PFF67605	Mercedes	Fuel: Euro 6 - Actros	A 000 090 17 52	29
PFL5615	Scania	Oil: Euro 4/5 - Series 4, G,P,R,T	2077885	44
PFL5620	Renault	Oil: Euro 4/5 - Kerax, Magnum, Premium	7421561278	39
PFL5620	Volvo	Oil: Euro 4/5 - FH12, FH16, FL, FM	21707133	54
PFL5621	Renault	Oil: Euro 4/5 - Kerax, Magnum, Premium	7420779040	39
PFL5622	Volvo	Oil: Euro 4/5 - FH12, FH16, FL, FM	21707134	54
PFL5623	Volvo	Oil: Euro 4/5 - FH12, FH16, FL, FM	21707132	54
R160-D-RCR-01	Ford	Fuel: Cargo 10.2L, 9.0L, 7.3L	3C46-9176-CA	12
R160-D-RCR-01	Mercedes	Fuel: Euro 4/5 - Actros I, Actros I MP2 + MP3, Atego I, Atego II, Axor I, Axor II	A 000 477 01 03	28
R160G	Iveco	Fuel: Euro 6 - Stralis	580 1620 130	19
R160P	Iveco	Fuel: Euro 5 - Stralis, Strator	504166113	18
R160P-D-MAX	Renault	Fuel: Euro 4/5 - Midlum	21380500	38
R260P	Renault	Fuel: Euro 4/5 – Kerax, Magnum, Premium	74 20 998 634	36
R260P	Volvo	Fuel: Euro 4/5 – FH12, FH16, FL, FM	20998367	51

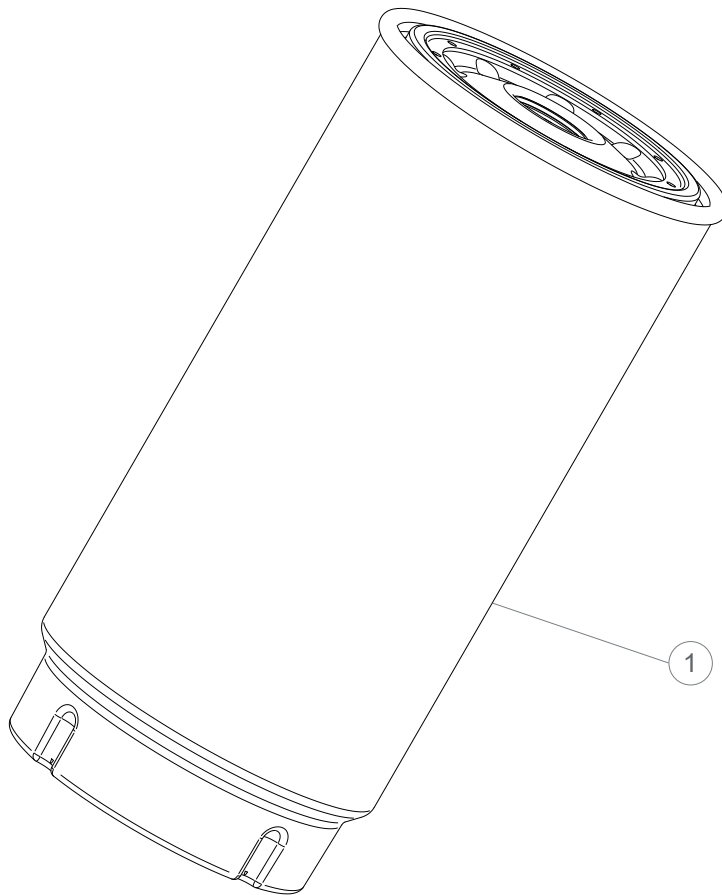
# Applications Guide

## Referenced to Racor Part Number

Racor Part Number	OEM	Application	OEM Part Number	Page #
R420PL	DAF	Fuel: 75CF, 85CF, 95XF,105XF	143 3649	7
R60P-D-MAX	Renault	Fuel: Euro 4/5 - Midlum	21380403	38
R60P-D-MAX	Volvo	Fuel: Euro 4/5 – FE II, FL II	21380408	53
R60RDRCR01	Renault	Fuel: Euro 6 - Magnum (Standard Life)	7421764968	36
R60RDRCR01	Renault	Fuel: Euro 6 - Magnum (Long Life)	7421764981	37
R60RDRCR01	Renault	Fuel: Euro 4/5 – Kerax, Magnum, Premium	74 21 380 472	37
R60RDRCR01	Volvo	Fuel: Euro 4/5 – FH12, FH16, FL, FM	21380475	51
R60RDRCR01	Volvo	Fuel: Euro 6 – FH16 (Standard Life)	21764966	52
R60RDRCR01	Volvo	Fuel: Euro 6 – FH16 (Long Life)	21764966	52
R90-D-RCR-01	Mercedes	Fuel: Euro 4/5 - Actros I, Actros I MP2 + MP3, Atego I, Atego II, Axor I, Axor II	A 000 477 13 02	28
R90P	Scania	Fuel: Euro 4/5 – Series 4, G, P, R, T	1393640	43
R90RDRCR01	Renault	Fuel: Euro 6 - Magnum (Ultra Long Life)	7421764981	36
R90RDRCR01	Renault	Fuel: Euro 4/5 – Kerax, Magnum, Premium	74 21 380 483	37
R90RDRCR01	Volvo	Fuel: Euro 4/5 – FH12, FH16, FL, FM	21380490	51
R90RDRCR01	Volvo	Fuel: Euro 6 – FH16 (Ultra Life)	21764964	52
R90T-D-MAX	Iveco	Fuel: Euro 5 - Stralis, Strator	42549295	18
R90T-D-MAX	Iveco	Fuel: Euro 5 - Eurocargo	504 272 431	20
R90T-D-MAX	Renault	Fuel: Euro 4/5 - Midlum	21088099	38
R90T-D-MAX	Volvo	Fuel: Euro 4/5 – FE II, FL II	21088101	53
RC-381	Scania	Fuel: Euro 4/5 – Series 4, G, P, R, T	1411794	43
RL300RCR01	Ford	Oil: Cargo 10.2L, 9.0L	2C46-6744-AC	13
RLB30RCR01	Ford	Oil: Cargo 10.2L, 9.0L	2C46-6C769-AC	13
RS175RCR01	Renault	Fuel: Euro 6 - Magnum	7421764961	37
RS175RCR01	Volvo	Fuel: Euro 6 – FH16	21764952	52
RS250RCR01	Ford	Fuel: Cargo 10.2L, 9.0L, 7.3L	2C46-9176-BA	12
RS250RCR01	Renault	Fuel: Euro 6 - Magnum	7421764958	37
RS250RCR01	Volvo	Fuel: Euro 6 – FH16	21764937	52
RS250RCR02	Renault	Fuel: Euro 4/5 – Kerax, Magnum, Premium	21764958	36
RS250RCR02	Volvo	Fuel: Euro 4/5 – FH12, FH16, FL, FM	21764937	51

# DAF

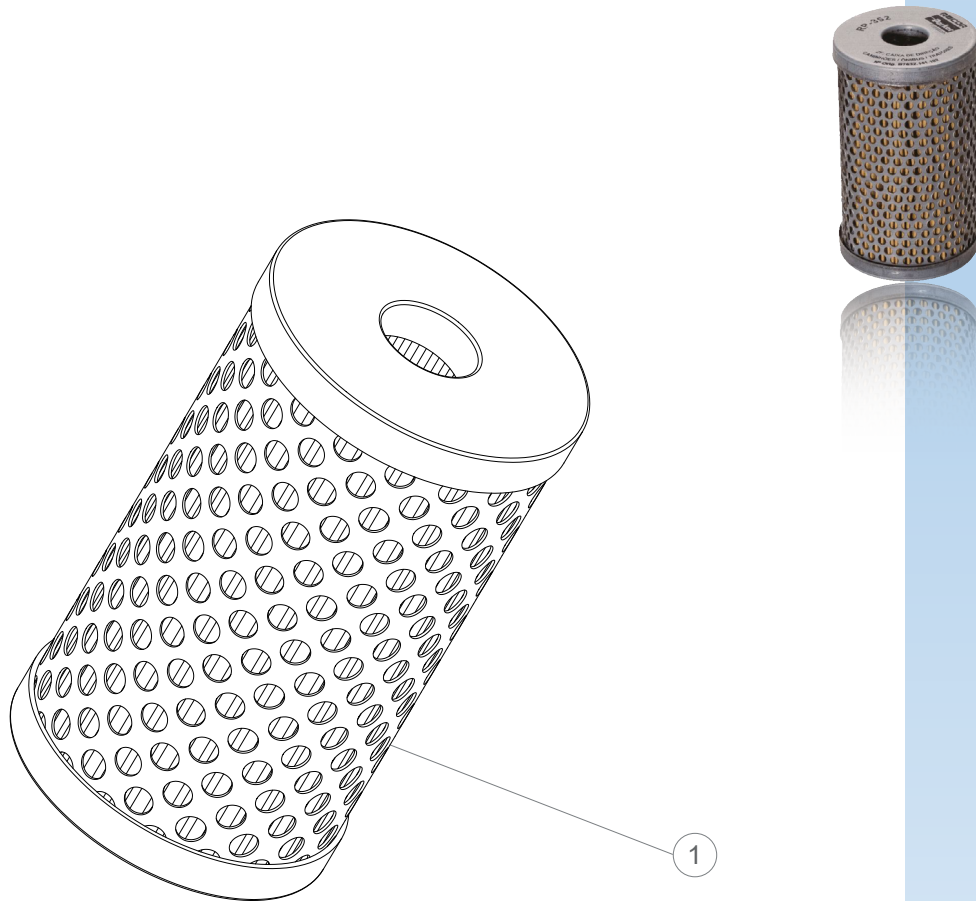
Primary Applications: 75CF, 85CF, 95XF, 105XF



#	Description	OEM Part Number	Racor Part Number
1	Replacement element	143 3649	R420PL

# DAF

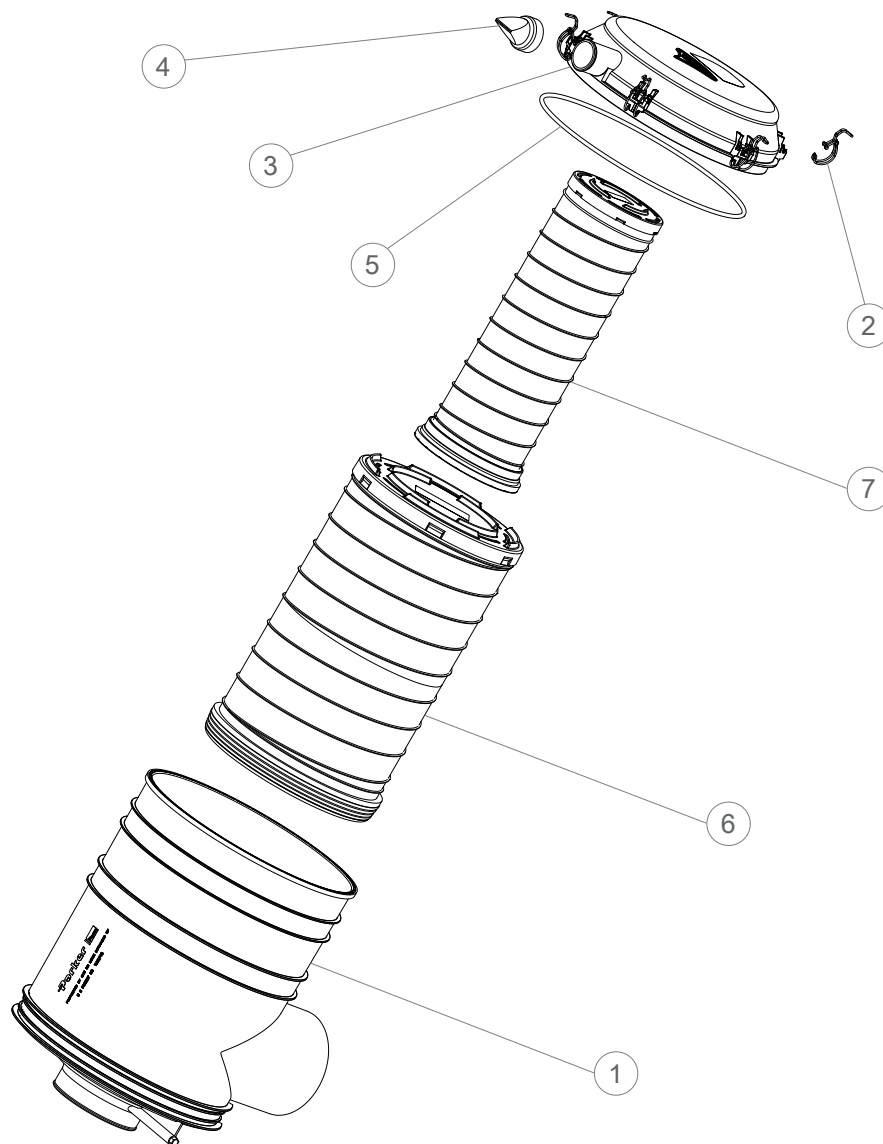
Primary Applications: XF105 - MX300, MX340, MX375, MX410 / XF95 - XE280, XE315, XE355, XE390



#	Description	OEM Part Number	Racor Part Number
1	Replacement element	022 9348	RP-352

# Ford

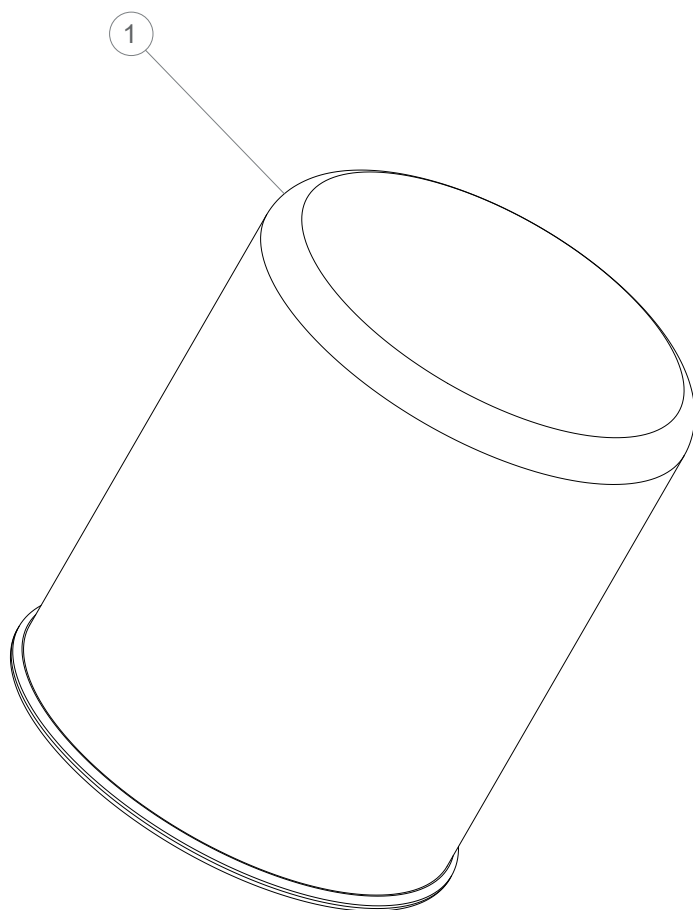
Primary Applications: Cargo - 10.2 Litres



#	Description	OEM Part Number	Racor Part Number
-	Air filter assembly	DC46-9600-AC	ECO-III-XL15S
-	Air filter assembly, no safety element	DC46-9600-BB	ECO-III-XL15
1	Filter housing only	DC46-9A612-AA	DRK00430
2	Clip assembly	DC46-9628-BA	DRK00426
3	Cover	DC46-9643-AB	DRK00427
4	Bleed valve and clip	DC46-9M654-AA	DRK00428
5	O-ring	DC46-7D741-AA	DRK00429
6	Primary filter element	DC46-9601-AA	500375001
7	Secondary filter element	DC46-9601-BB	500443001
-	Mounting bracket	Racor exclusive	DRK00441

# Ford

Primary Applications: Cargo - Ecotorq NHDD

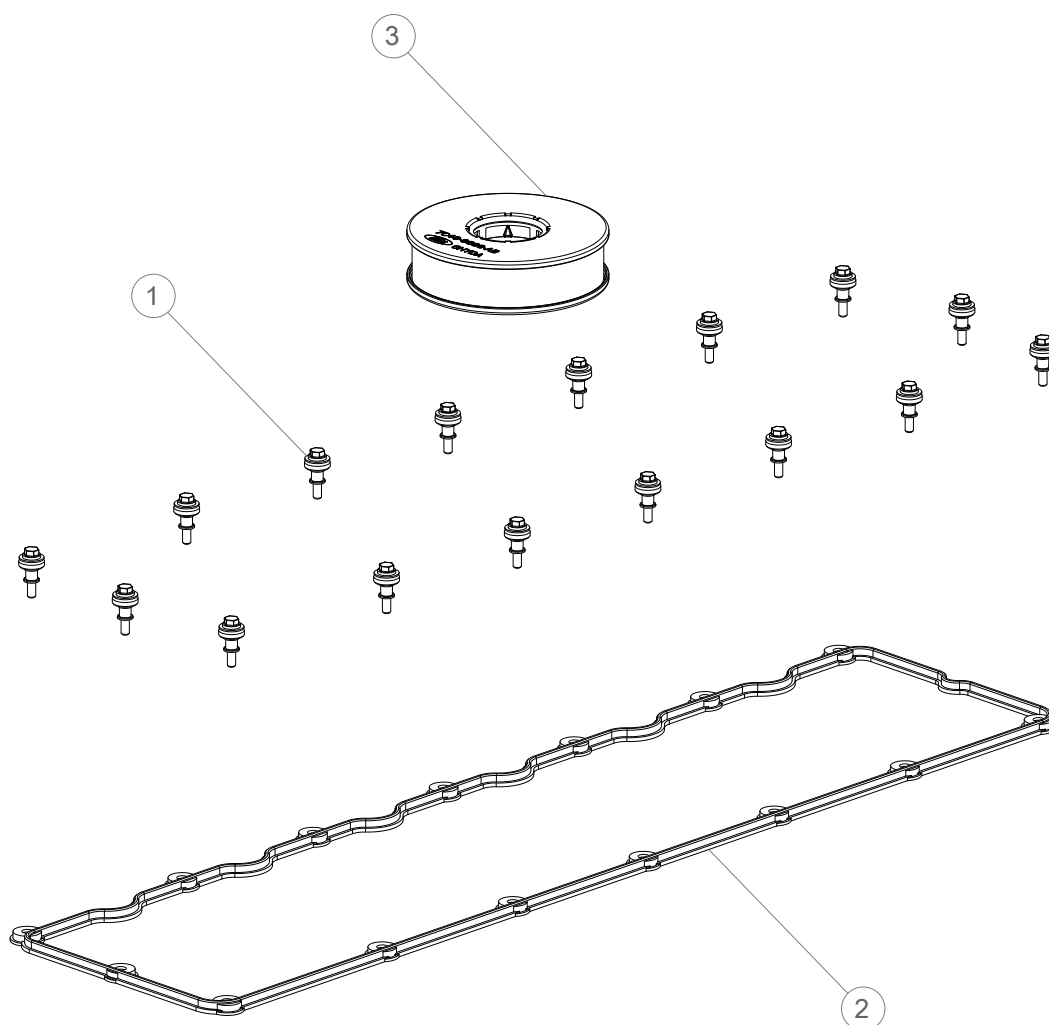


#	Description	OEM Part Number	Racor Part Number
1	Replacement element	4C45 2A131 AA	Contact Parker   Racor



# Ford

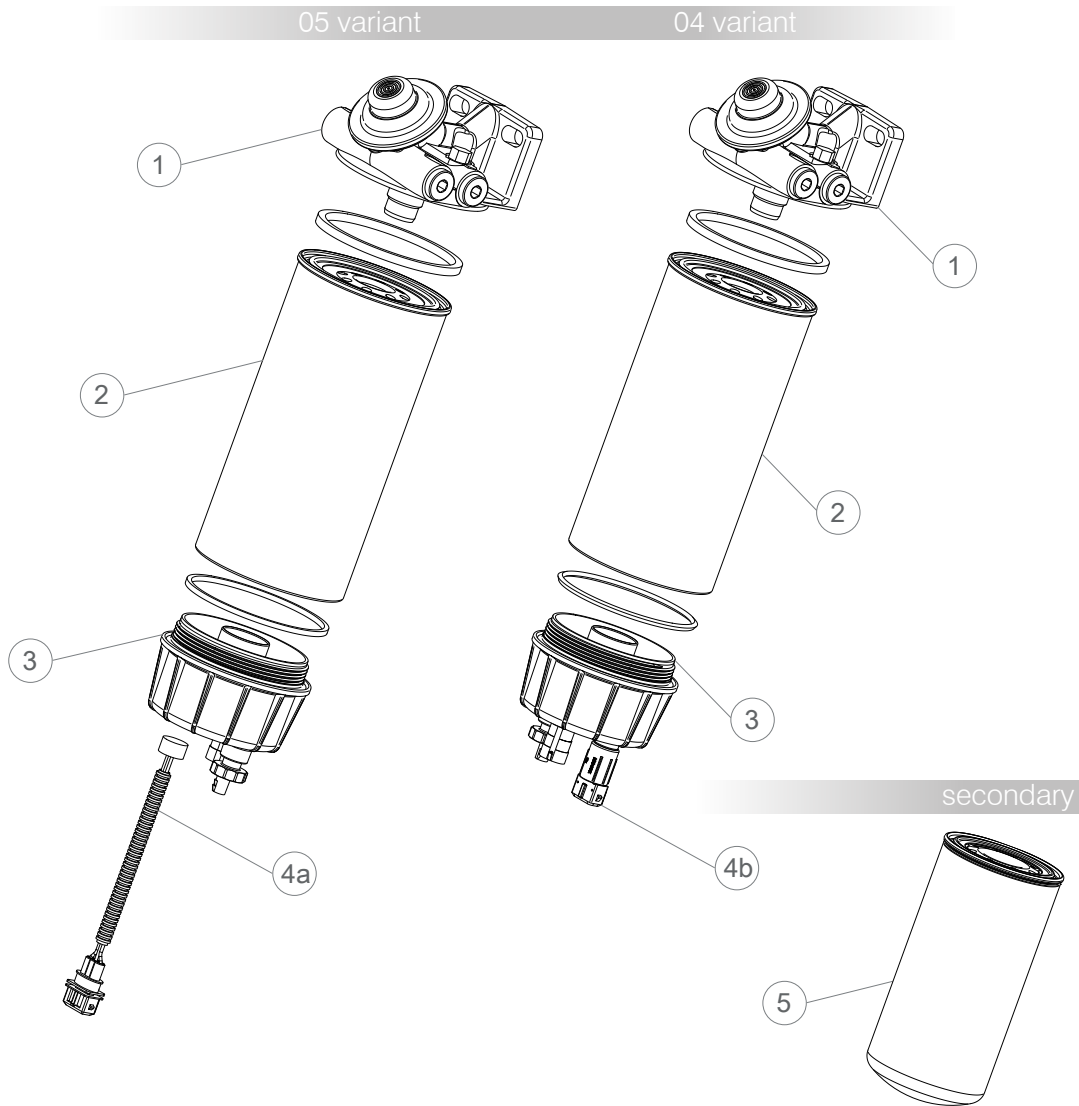
Primary Applications: Cargo - 10.2, 9.0 Litres



#	Description	OEM Part Number	Racor Part Number
1	Isolator bolt assembly	6C46-6A548-AA	DRK00417
2	Valve cover seal	6C46-6584-AA	DRK00418
3	Element service kit	KT7C46-6A603-AB	DRK00419

## Ford

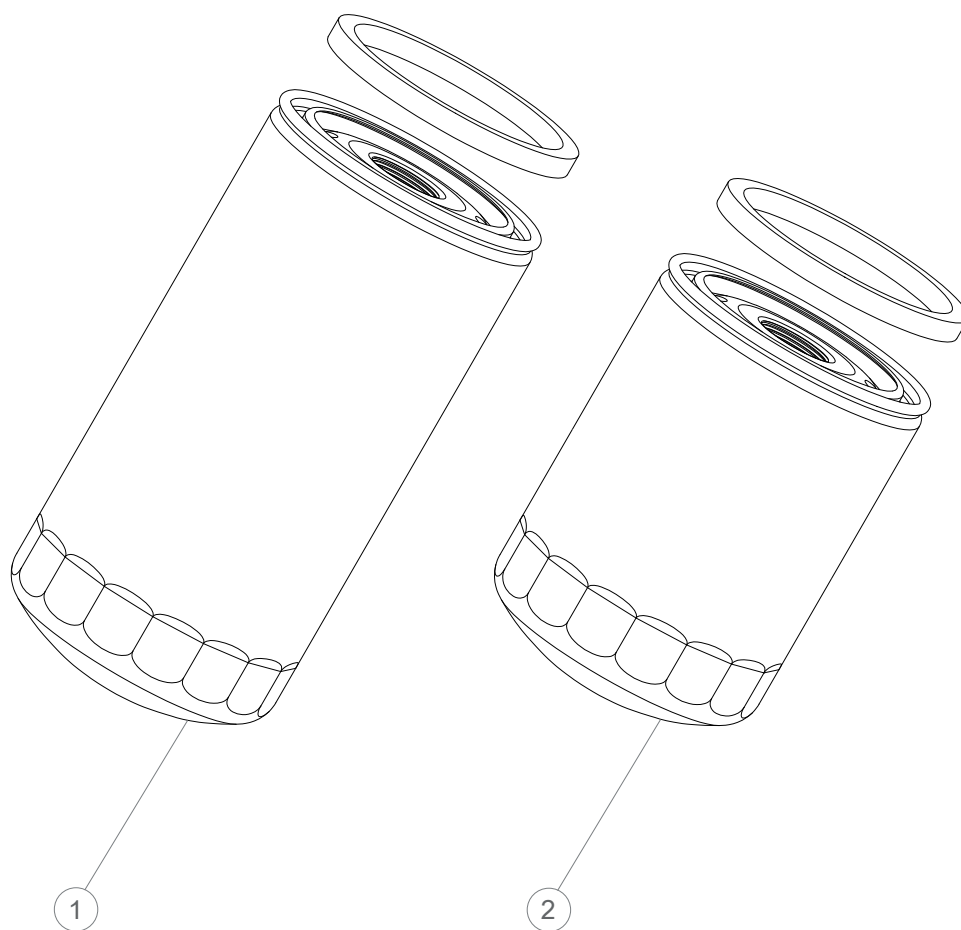
Primary Applications: Cargo - 10.2, 9.0, 7.2 Litres



#	Description	OEM Part Number	Racor Part Number
-	FFWS assembly (04)	6C46-9155-EA	4160DRCR02
-	FFWS assembly (05)	DC46-9155-AB	4160DRCR03
1	Head assembly	Racor exclusive	DRK 00008
2	Replacement element - primary filter	3C46-9176-CA	R160-D-RCR-01
3	Bowl assembly	5C46-9J294-BB	DRK00409
4a	Water sensor (04 variant)	Racor exclusive	DRK 00230
4b	Water sensor (05 variant)	DC46-9176-BA	DRK 00054
5	Replacement element - secondary filter	2C46-9176-BA	RS250RCR01

# Ford

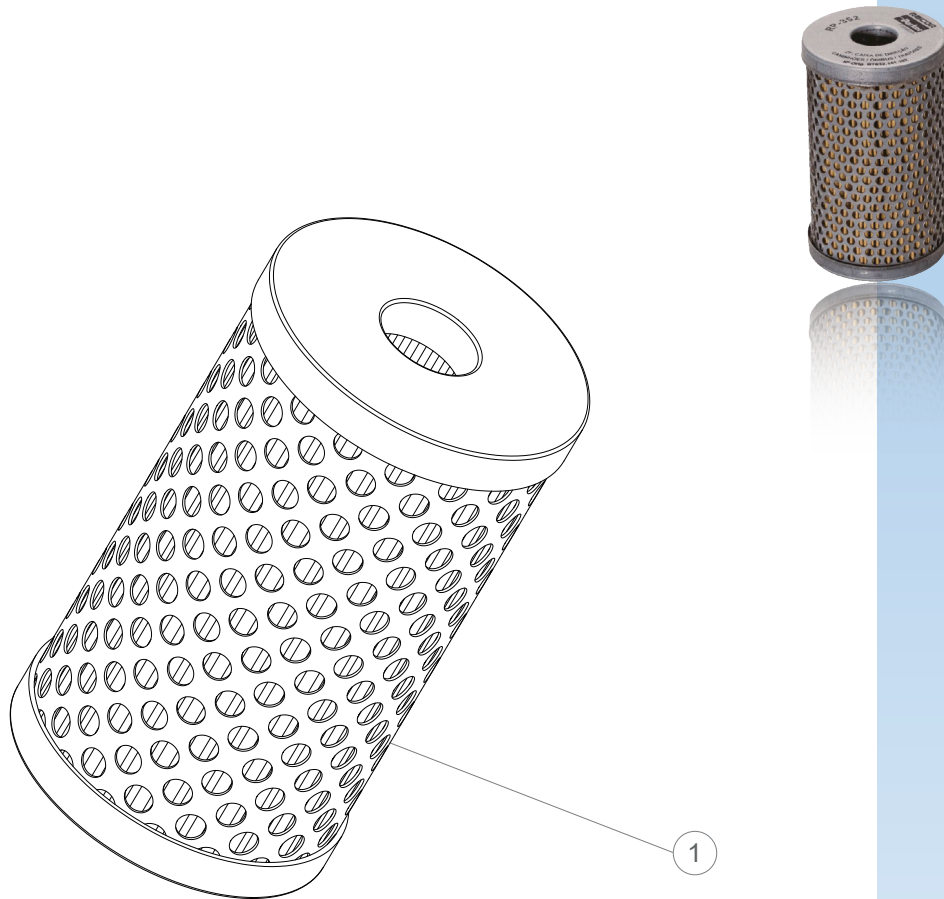
Primary Applications: Cargo 10.2, 9.0 Litres



#	Description	OEM Part Number	Racor Part Number
1	Replacement element - main oil filter	2C46-6744-AC	RL300RCR01
2	Replacement element - bypass oil filter	2C46-6C769-AC	RLB30RCR01

# Ford

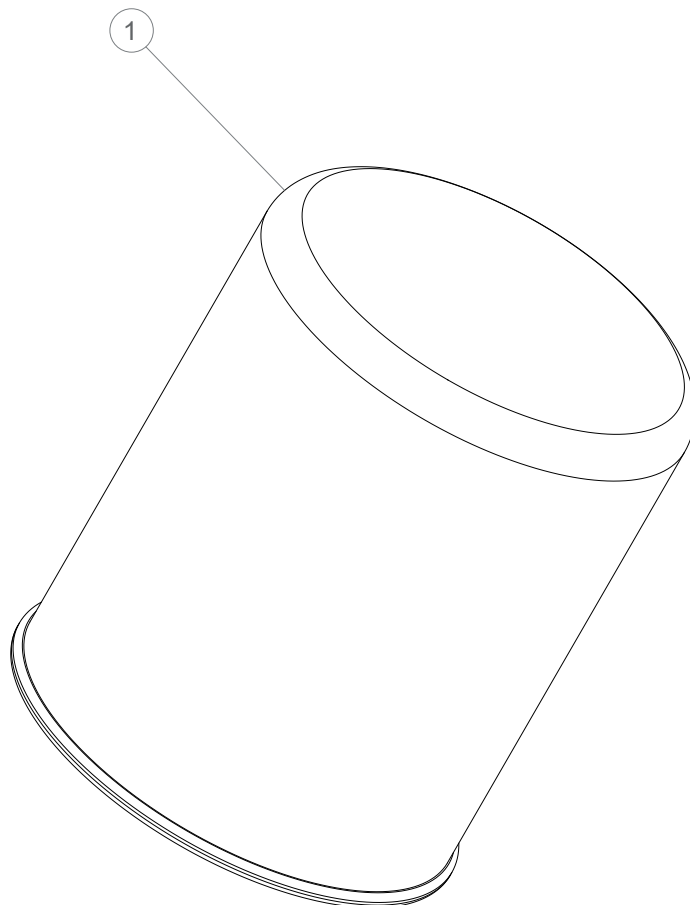
Primary Applications: Cargo - Ecotorq NHDD



#	Description	OEM Part Number	Racor Part Number
1	Replacement element	Racor exclusive	RP-352

# Iveco

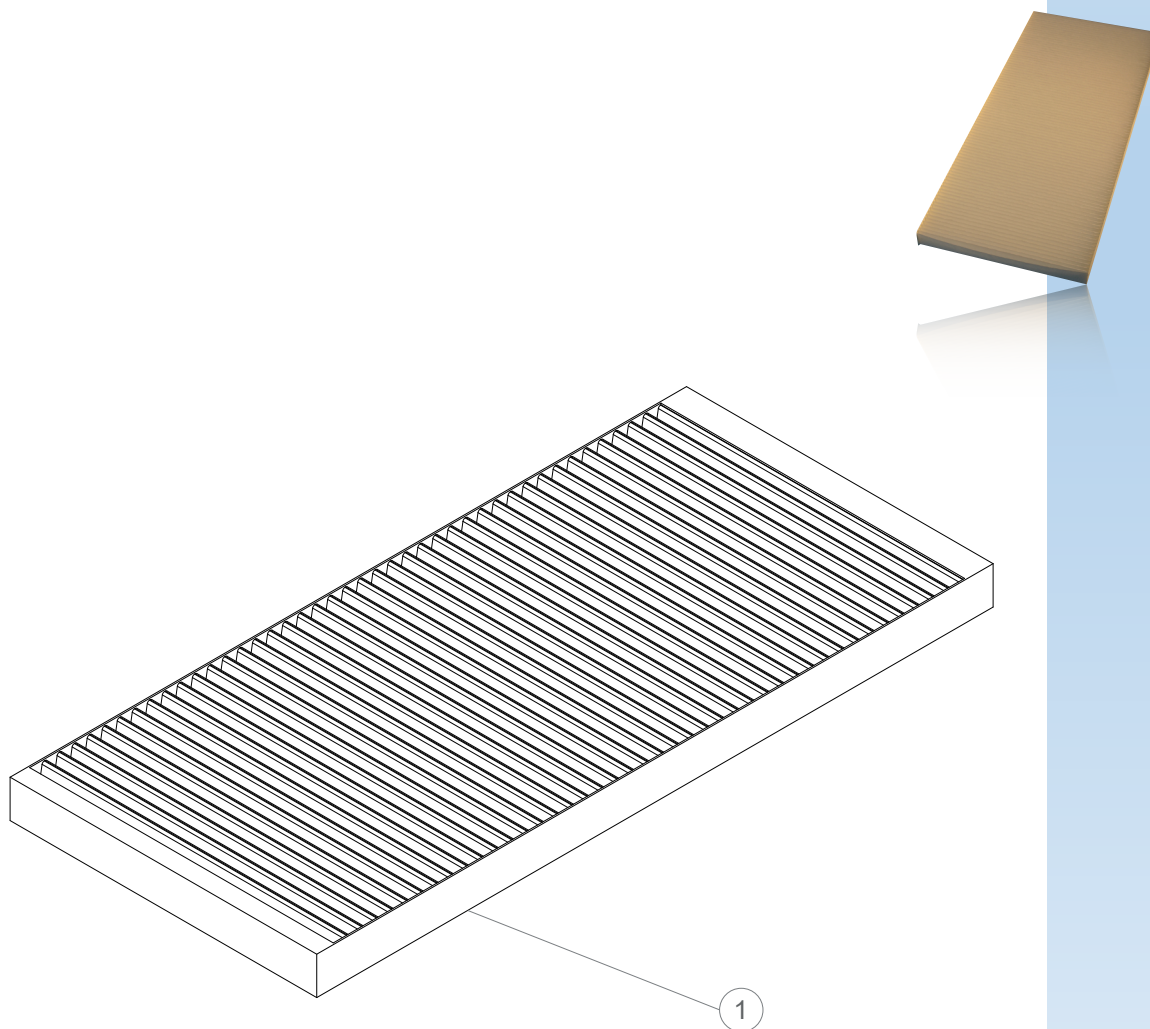
Primary Applications: Stralis - Cursor 13,  
Cursor 10, Cursor 8



#	Description	OEM Part Number	Racor Part Number
1	Replacement element	190 7612	Contact Parker   Racor

# Iveco

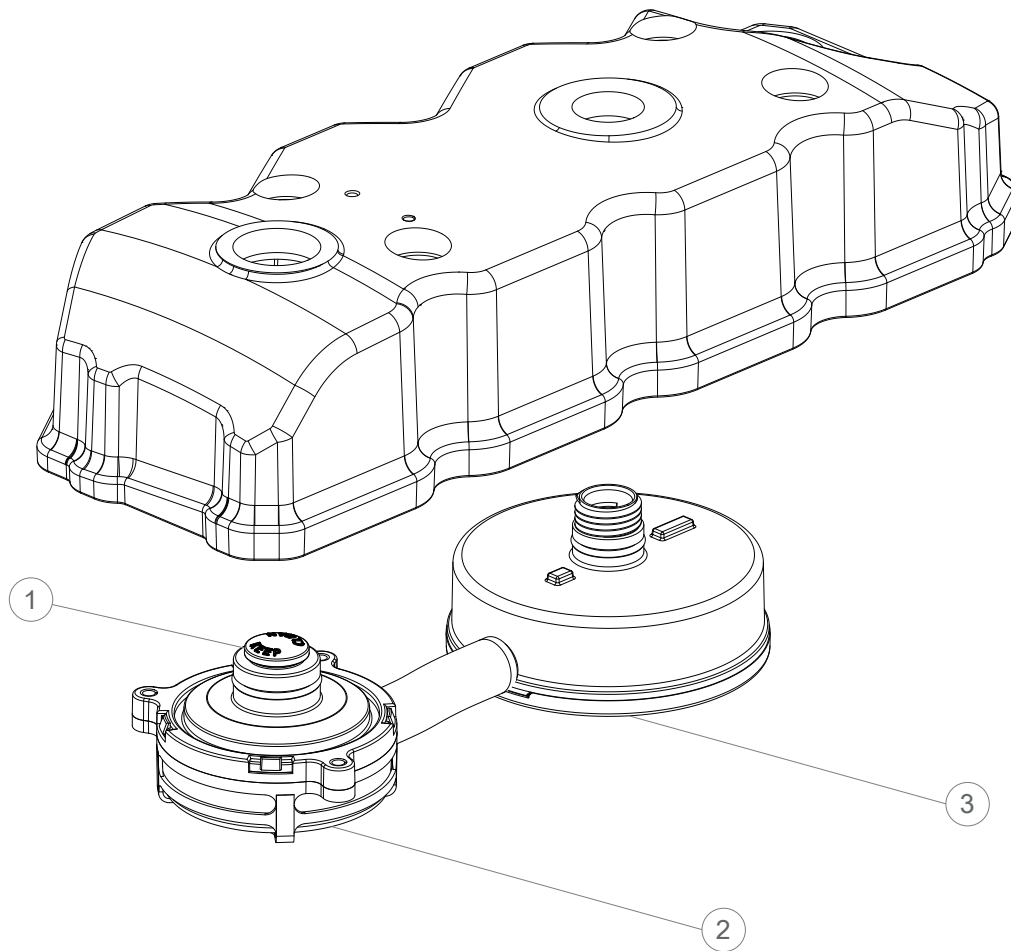
Primary Applications: Stralis - Cursor 13,  
Cursor 10, Cursor 8



#	Description	OEM Part Number	Racor Part Number
1	Replacement element, standard	299 5964	PFA5628
-	Replacement element, carbon activated	299 4583	PFA5629

# Iveco

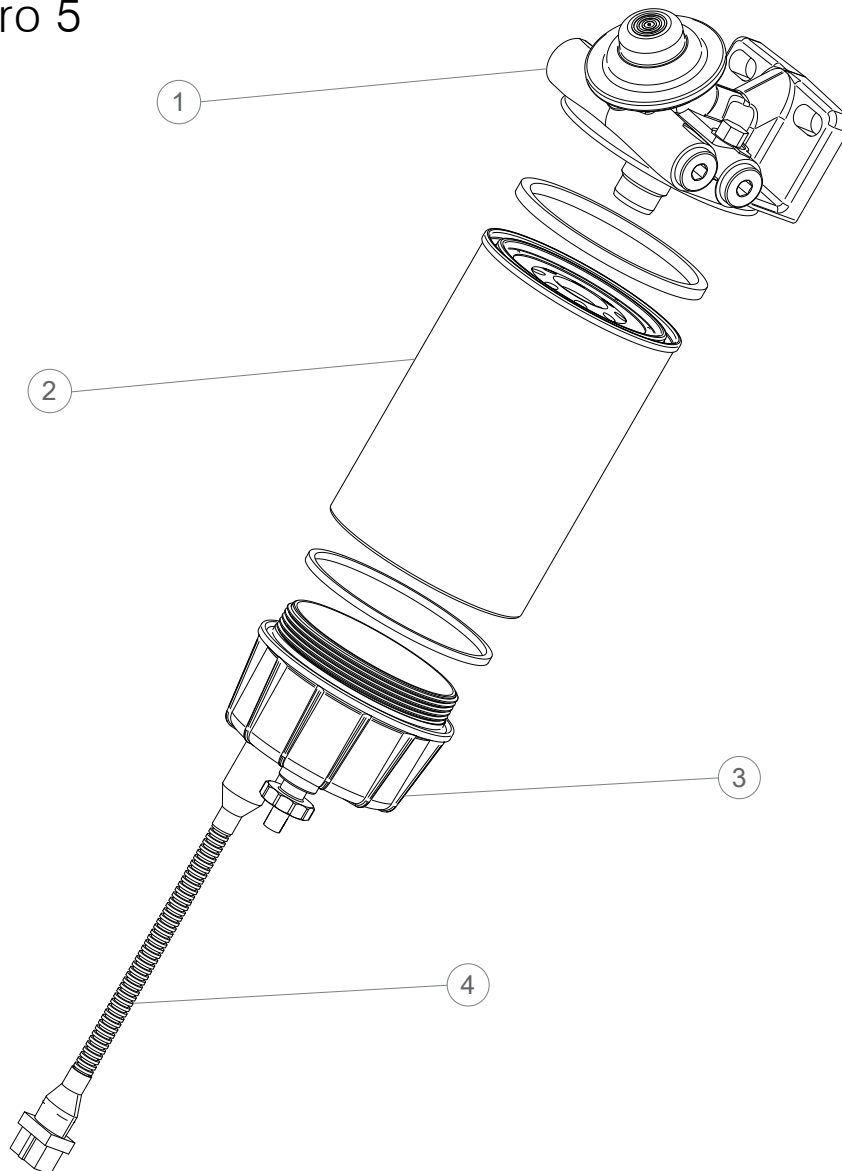
Primary Applications: Eurocargo - NEF Engine  
Euro 6



#	Description	OEM Part Number	Racor Part Number
1	PRV dust cover	Racor exclusive	DRK00411
2	Regulator service kit	504371134	DRK00422
3a	Filter service kit single layer	504153151	DRK 00292-RCR
3b	Filter service kit triple layer	42568767	DRK00424

## Iveco

Primary applications: Strator / Stralis - Cursor 13,  
Cursor 10, Cursor 8  
Euro 5

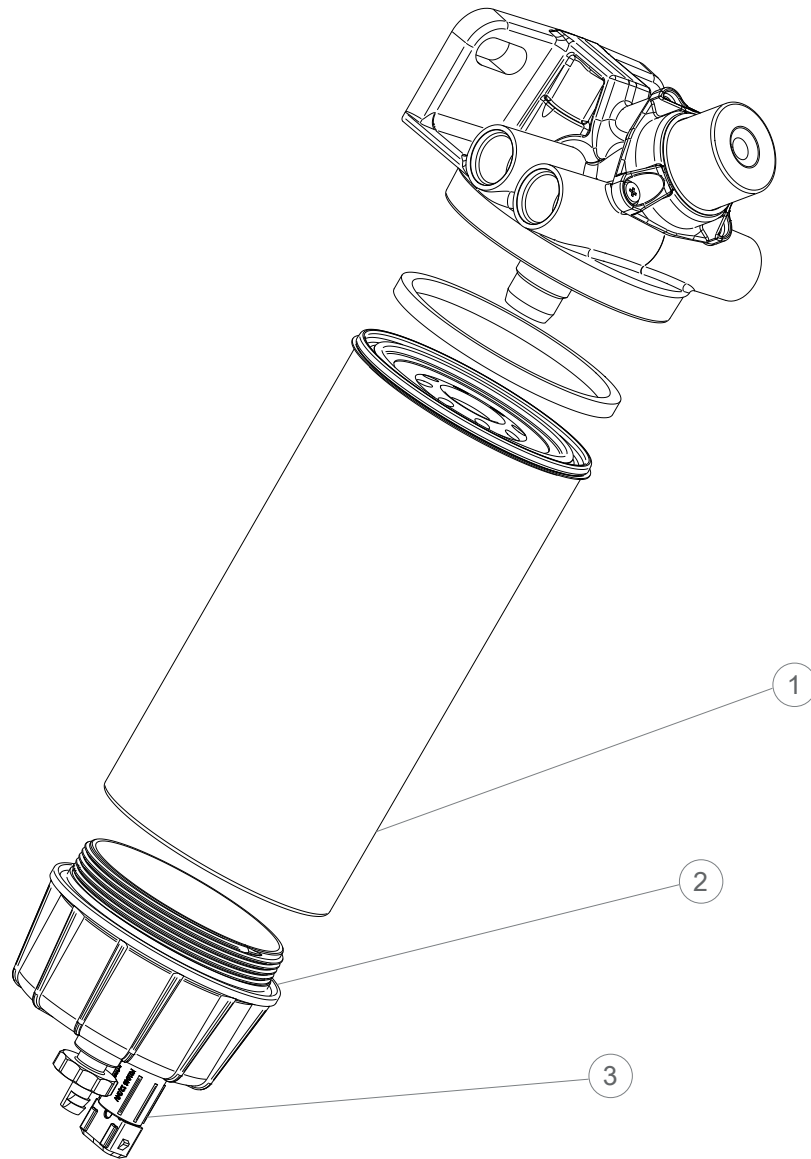


#	Description	OEM Part Number	Racor Part Number
-	FFWS assembly, integrated water sensor, no heater	5041 01 411	490RP10-D-01
1	Head assembly unheated	Racor exclusive	DRK 00008
2a	Replacement element - standard	42549295	R90T-D-MAX
2b	Replacement element - long life	504166113	R160P
3	Bowl assembly	Racor exclusive	DRK 00055
4	WIF sensor assembly	Racor exclusive	DRK 00121



# Iveco

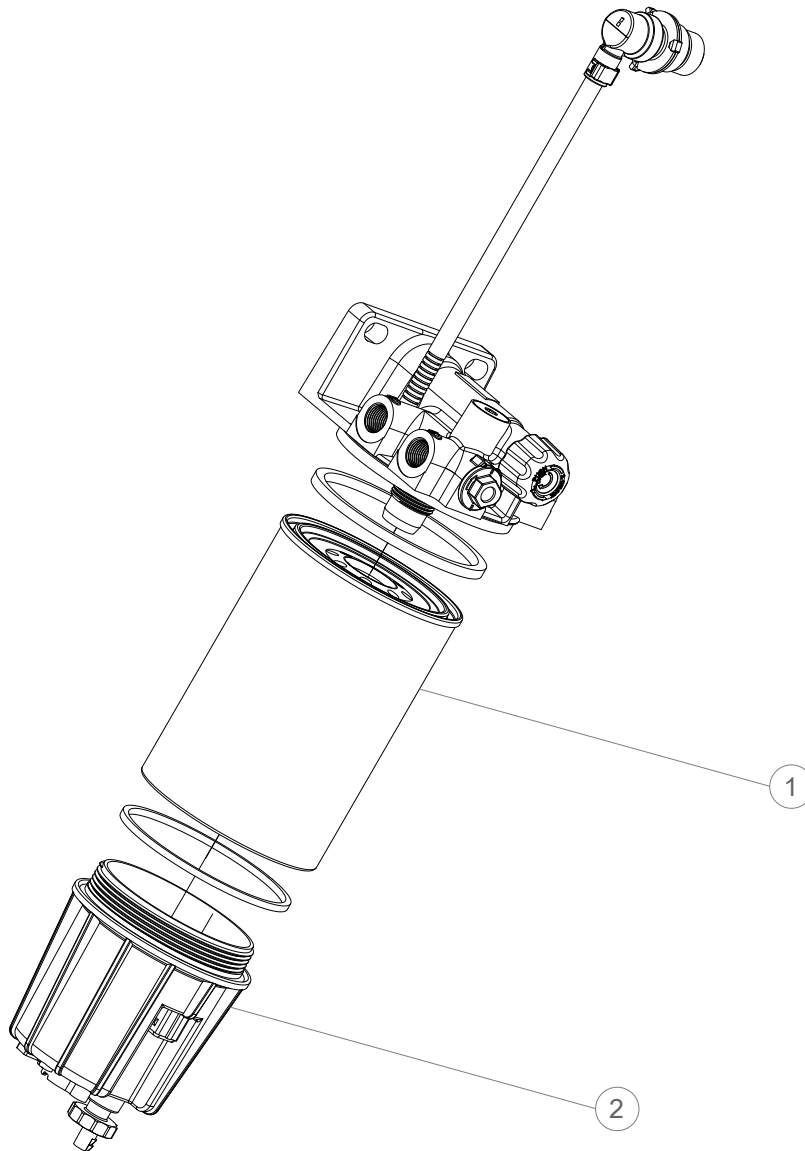
Primary Applications: Stralis - Euro 6



#	Description	OEM Part Number	Racor Part Number
-	FFWS assembly, with water sensor, no heater	580 1510 524	LDP160R20RCR02
-	FFWS assembly, with water sensor, 12/24V heater	580 1510 519	LDP160R20RCR10
-	FFWS assembly, with water sensor, no heater, thermal valve 150° orientation	580 1699 334	LDP160R20RCR18
1	Replacement element	580 1620 130	R160G
2	Bowl assembly	Racor exclusive	DRK 00055
3	WIF sensor assembly	Racor exclusive	DRK 00230

## Iveco

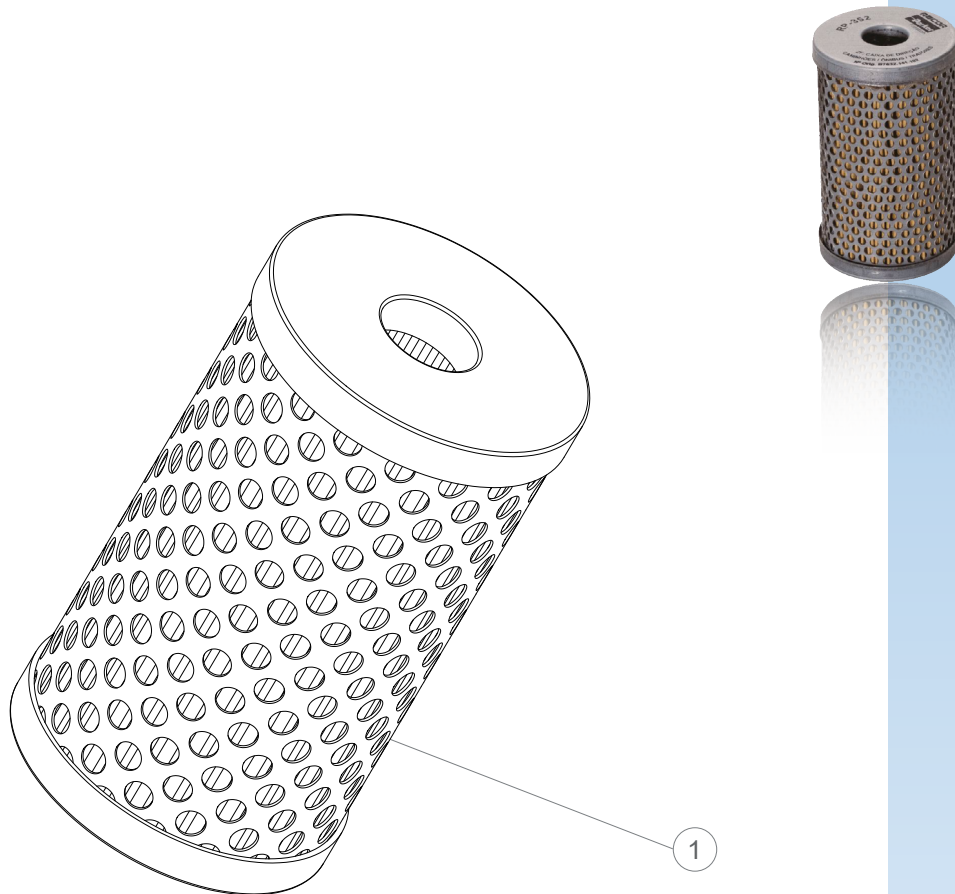
Primary applications: Eurocargo - Euro 5



#	Description	OEM Part Number	Racor Part Number
-	FFWS assembly, with water sensor, no heater	504 192 165	MD5790PRV10RCR01
-	FFWS assembly, with water sensor, 12/24V heater	504 192 159	MD5790PRV10RCR02
1	Replacement element	504 272 431	R90T-D-MAX
2	Bowl assembly with WIF	42561607	DRK00410

# Iveco

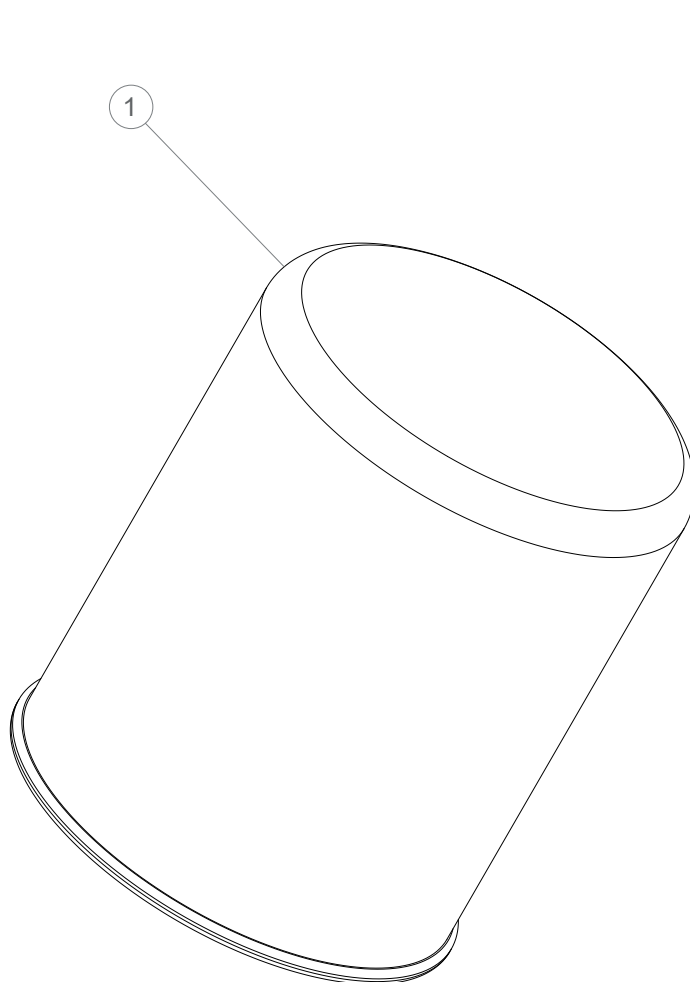
Primary Applications: Eurocargo / Stralis -  
Cursor 13, Cursor 10, Cursor 8



#	Description	OEM Part Number	Racor Part Number
1	Replacement element	190 2137	RP-352

# MAN

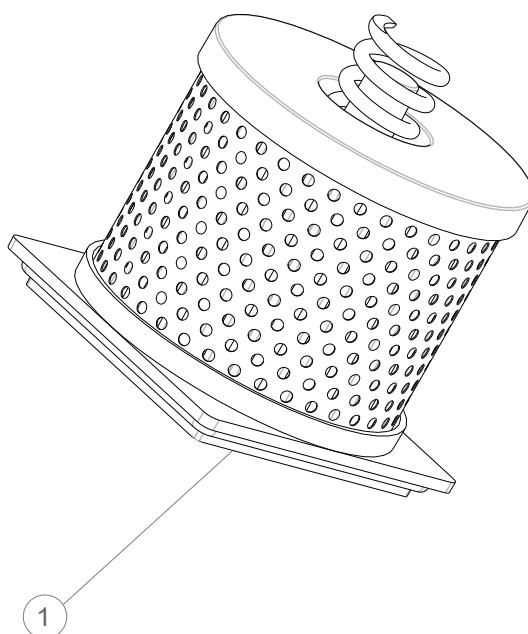
Primary Applications: TGX



#	Description	OEM Part Number	Racor Part Number
1	Replacement element	81.52108-6025	Contact Parker   Racor

## MAN

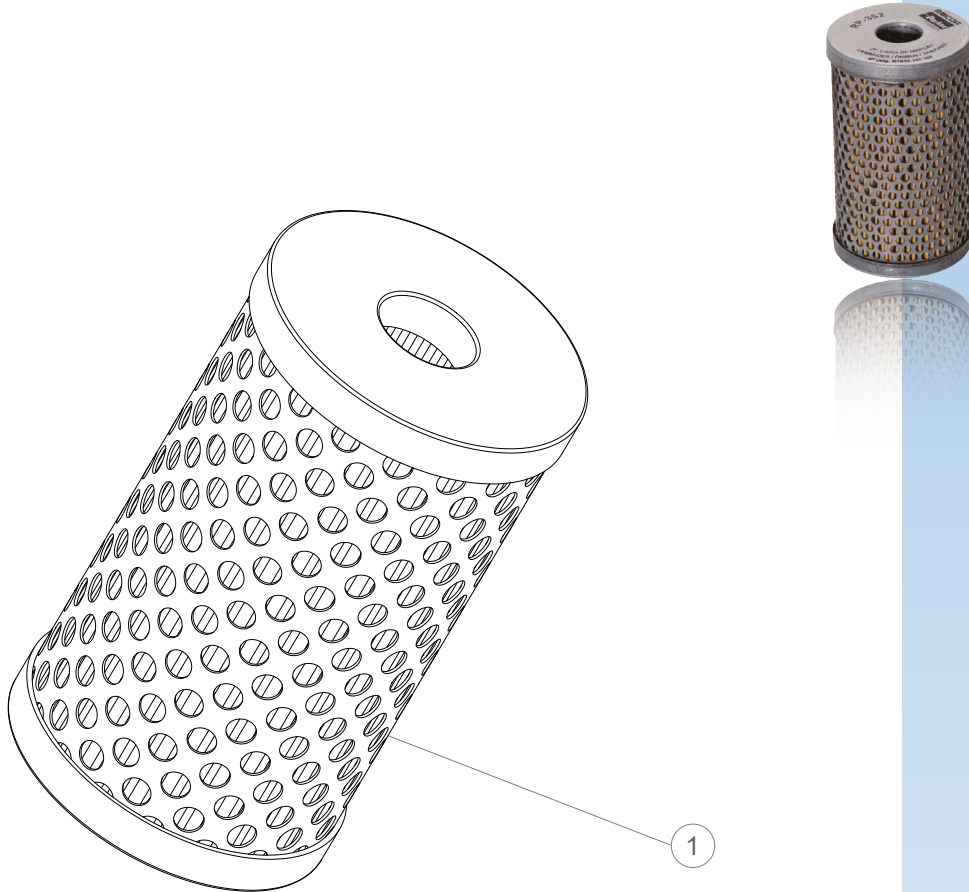
Primary applications: F2000, F2000 Evolution, FE, TGA



#	Description	OEM Part Number	Racor Part Number
1	Replacement element - 30 $\mu$	81.12503.0086	PFF5601
1	Replacement element - 10 $\mu$	81.12501.0033	PFF5600

# MAN

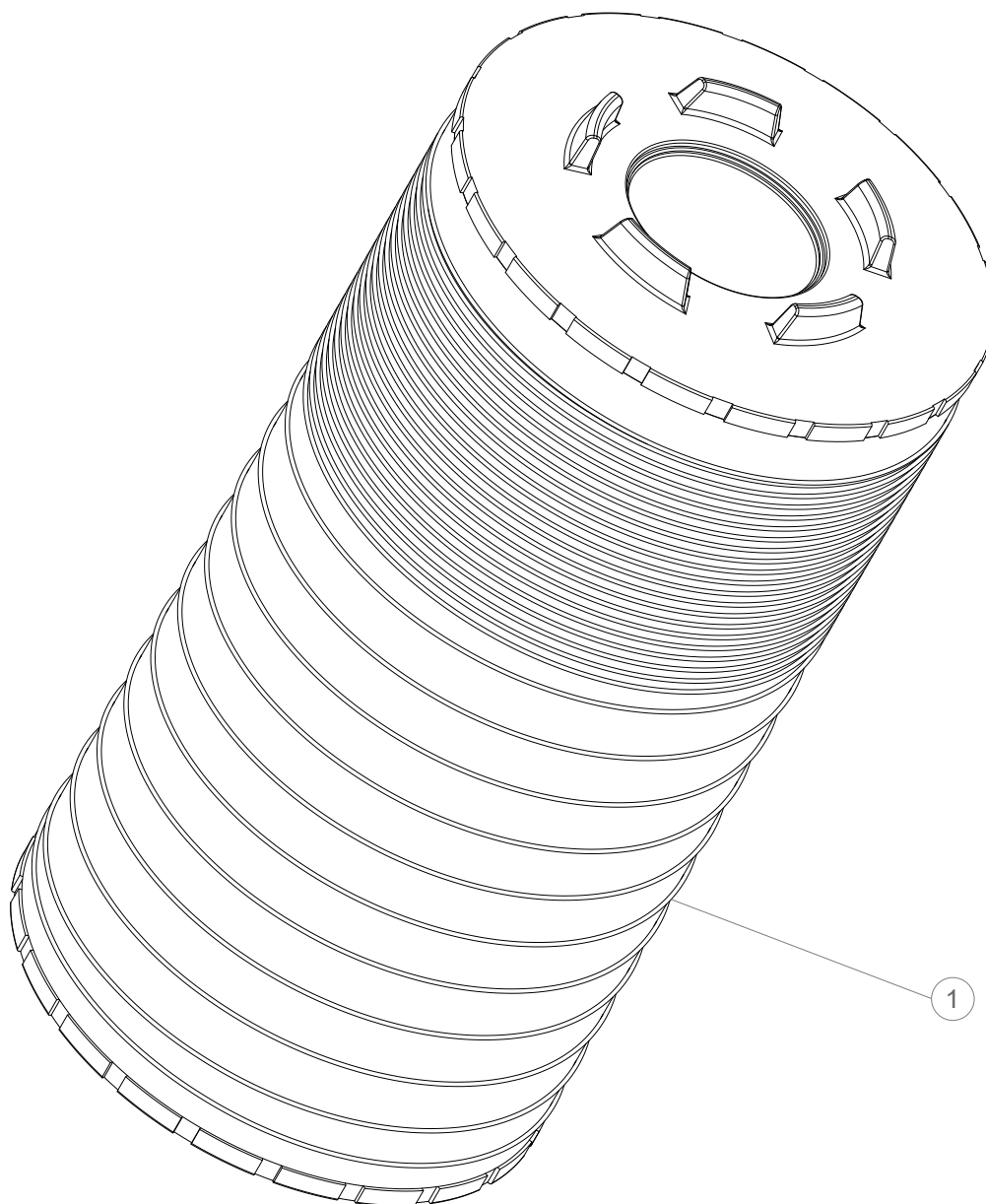
Primary Applications: TGL, TGM, TGS, TGX



#	Description	OEM Part Number	Racor Part Number
1	Replacement element	81.47301-6005	RP-352

# Mercedes

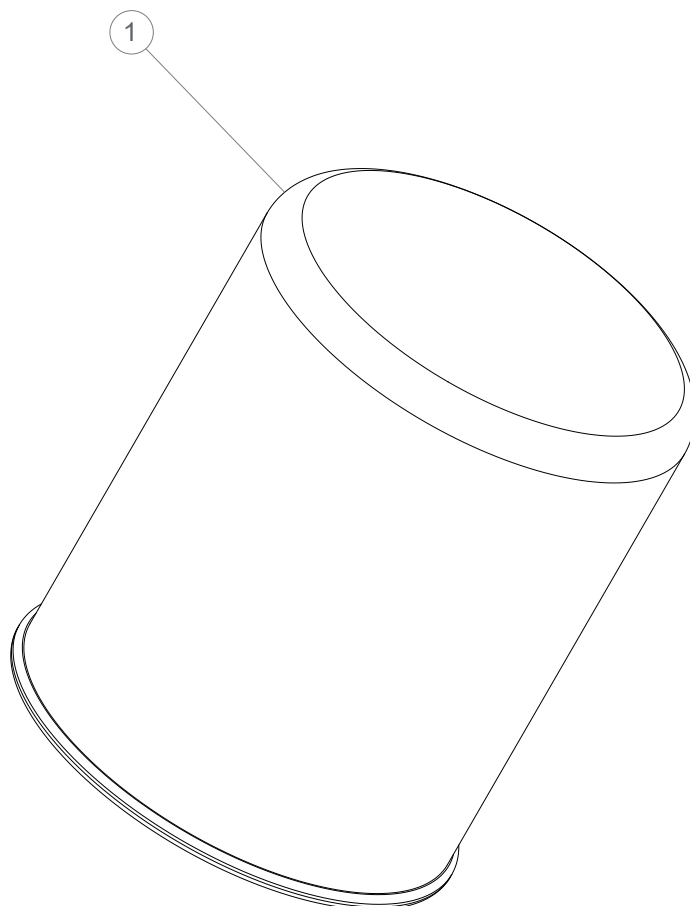
Primary Applications: Actros 1, MP2/MP3 -  
OM541LA, OM542LA



#	Description	OEM Part Number	Racor Part Number
1	Replacement element - primary filter	004 094 35 04	PFA5616

# Mercedes

Primary Applications: Actros 1, MP2/MP3 -  
OM541LA, OM542LA

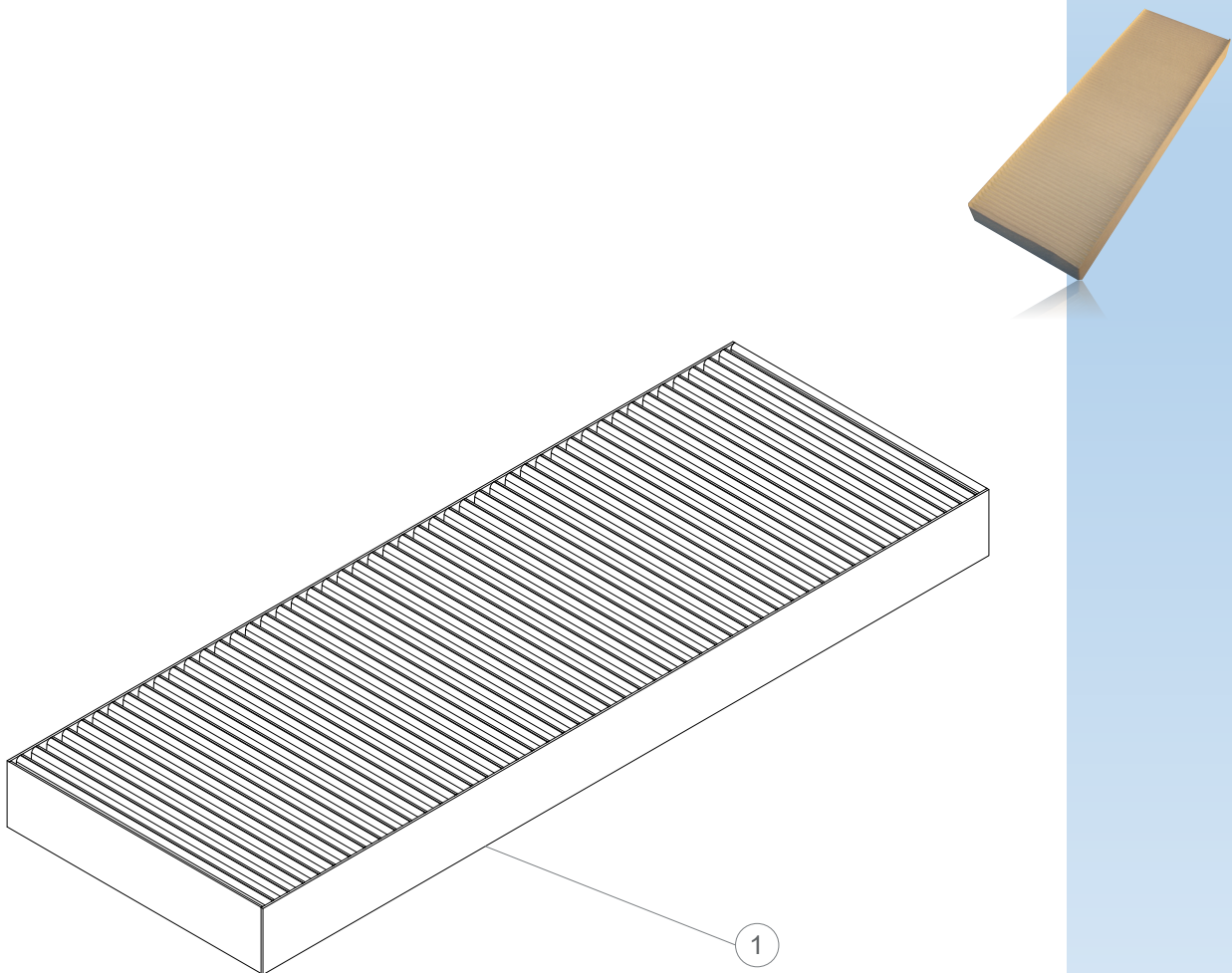


#	Description	OEM Part Number	Racor Part Number
1	Replacement element	000 429 5695	Contact Parker   Racor



# Mercedes

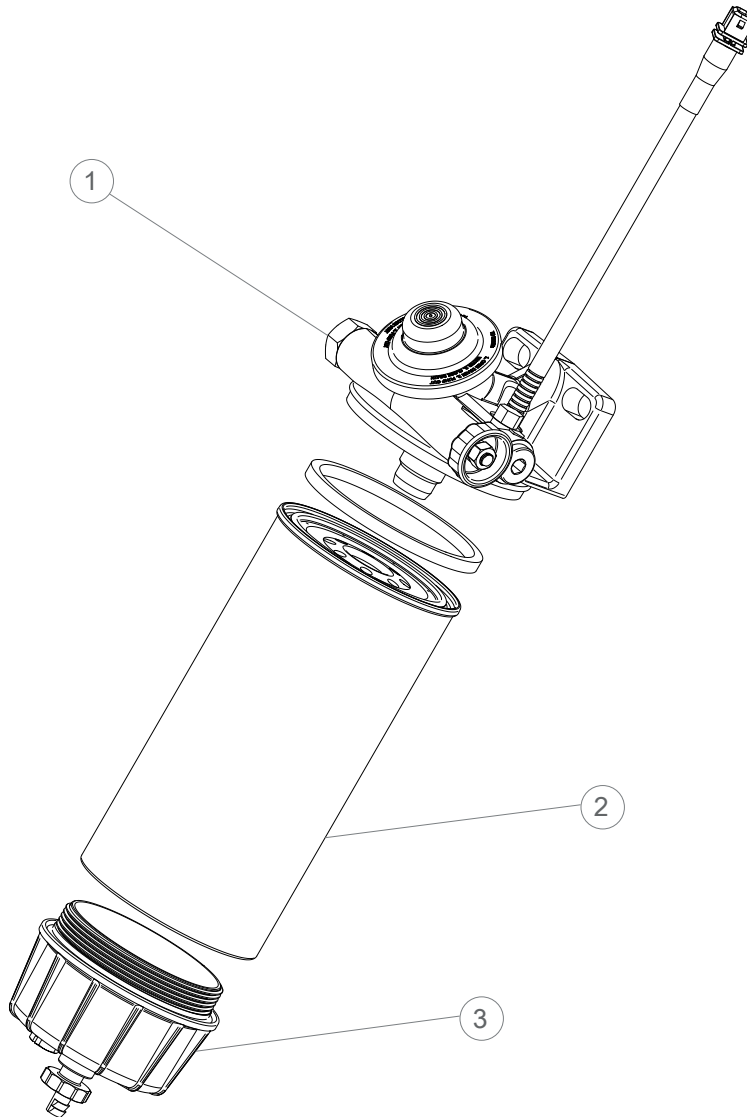
Primary Applications: Actros 1, MP2/MP3 -  
OM541LA, OM542LA



#	Description	OEM Part Number	Racor Part Number
1	Replacement element, standard	000 830 11 18	PFA5630
-	Replacement element, carbon activated	000 830 13 18	PFA5631
-	Replacement element, standard	000 830 12 18	PFA5632
-	Replacement element, carbon activated	000 830 13 18	PFA5633

# Mercedes

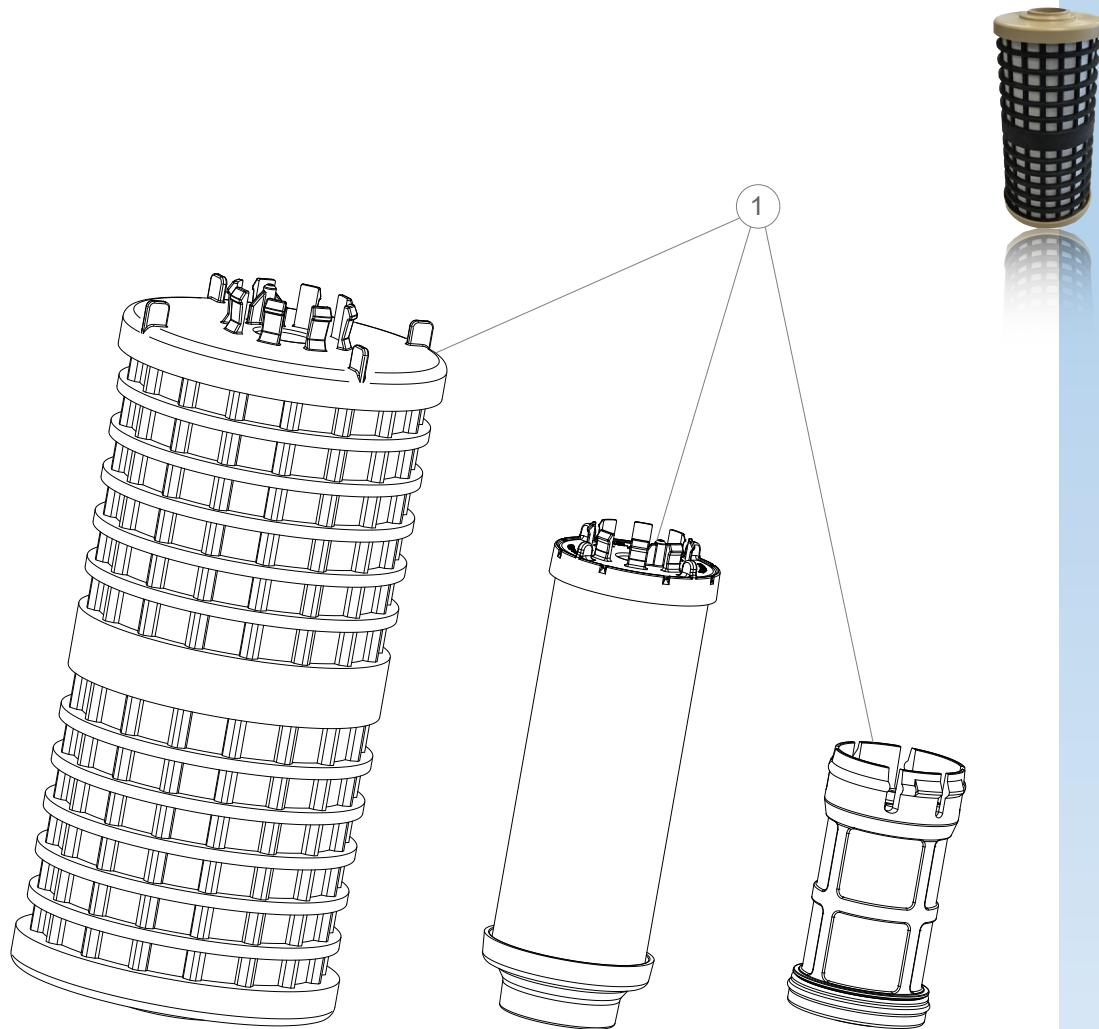
Primary Applications: Actros I, Actros I MP2/MP3 / Atego I / Atego II / Axor I / Axor II Euro 4/5



#	Description	OEM Part Number	Racor Part Number
-	FFWS with heater	A 000 470 04 69 A 000 470 21 90	4160RHHV10MTC-SLV
1	Head assembly with heater	A 000 477 45 08	DRK 00036
2	Replacement element - standard	A 000 477 13 02	R90-D-RCR-01
2	Replacement element - long life	A 000 477 01 03	R160-D-RCR-01
3	Bowl assembly	A 000 477 25 16	DRK 00037

# Mercedes

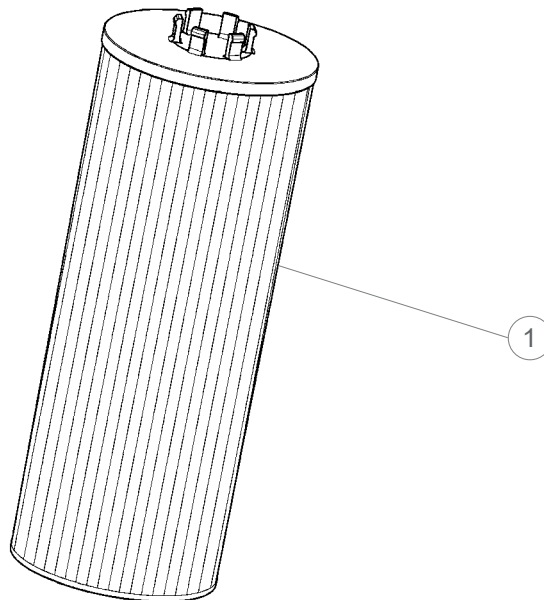
Primary applications: Actros - Euro 6



#	Description	OEM Part Number	Racor Part Number
1	Replacement element kit European applications	A 000 090 17 52	PFF67605
-	Replacement element kit North American applications	A 000 090 42 51	PFF67555

# Mercedes

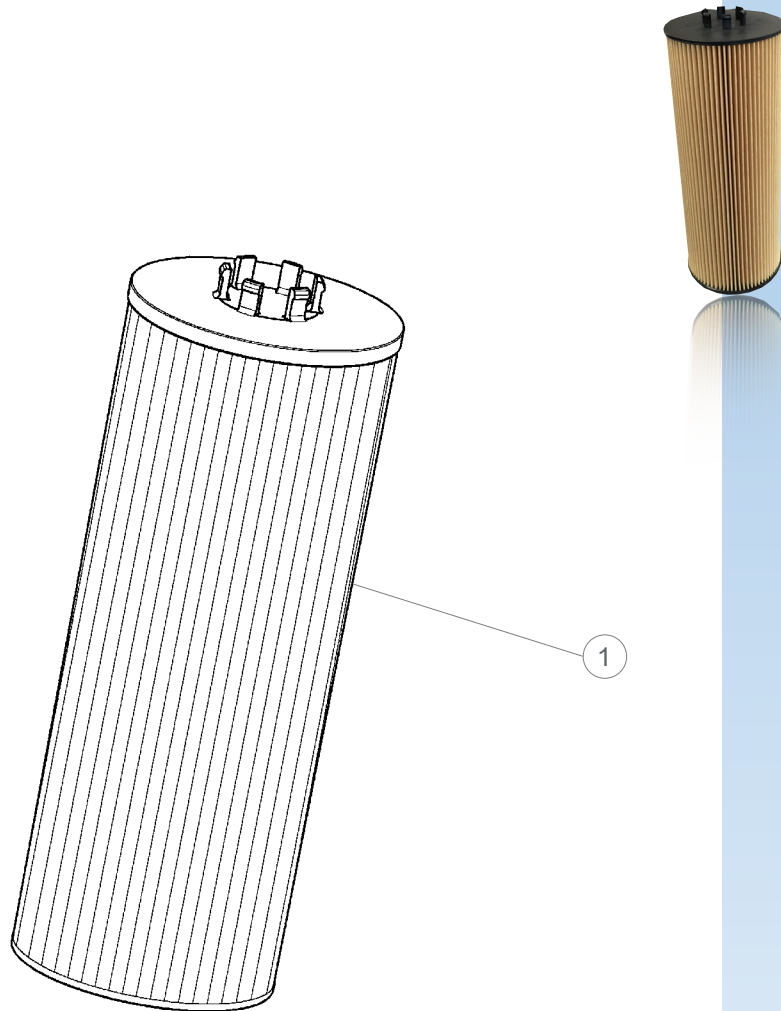
Primary applications: Actros 1, MP2/MP3 -  
OM541LA, OM542LA



#	Description	OEM Part Number	Racor Part Number
1	Replacement element - secondary filter	541 092 09 05	Contact Parker   Racor

# Mercedes

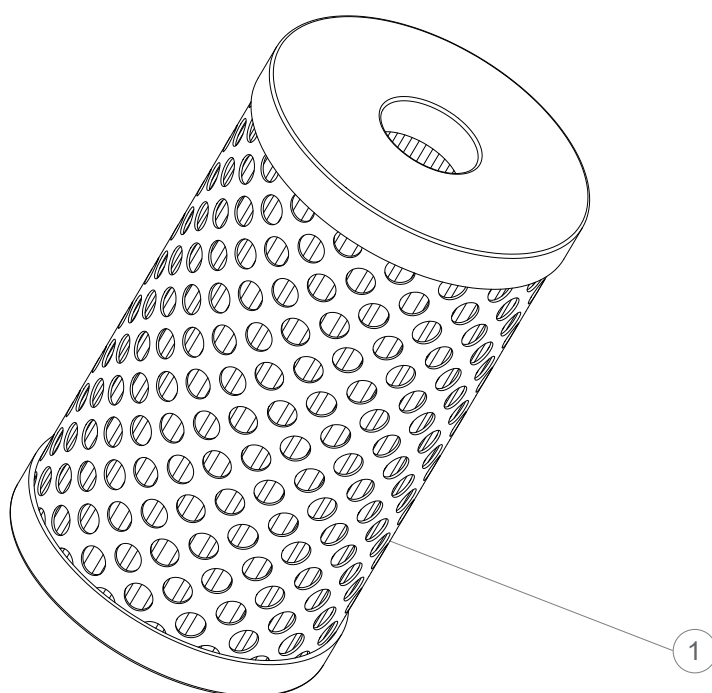
Primary Applications: Actros 1, MP2/MP3 -  
OM541LA, OM542LA



#	Description	OEM Part Number	Racor Part Number
1	Replacement element	541 184 03 25	PFL5625

# Mercedes

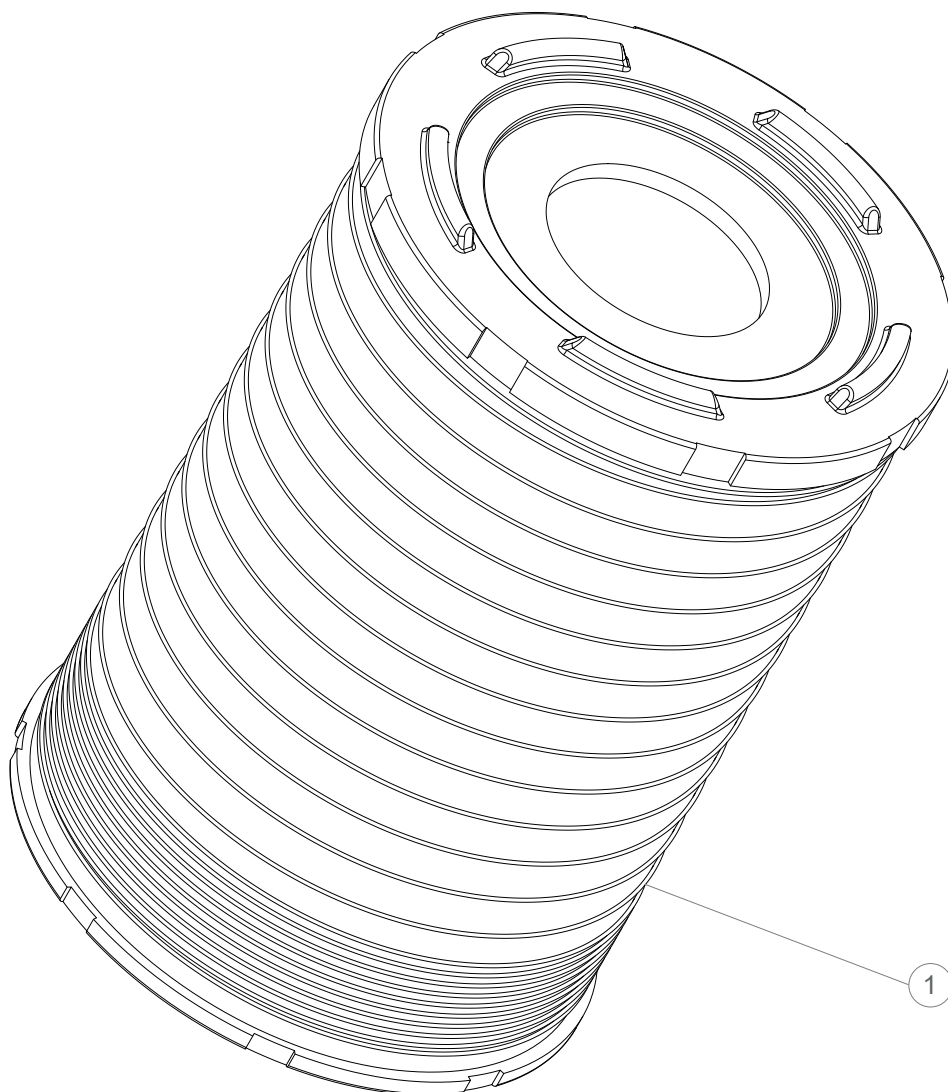
Primary Applications: Actros, MP2/MP3 /  
Axor / Atego



#	Description	OEM Part Number	Racor Part Number
1	Replacement element	000 466 02 04	RP-352

# Renault

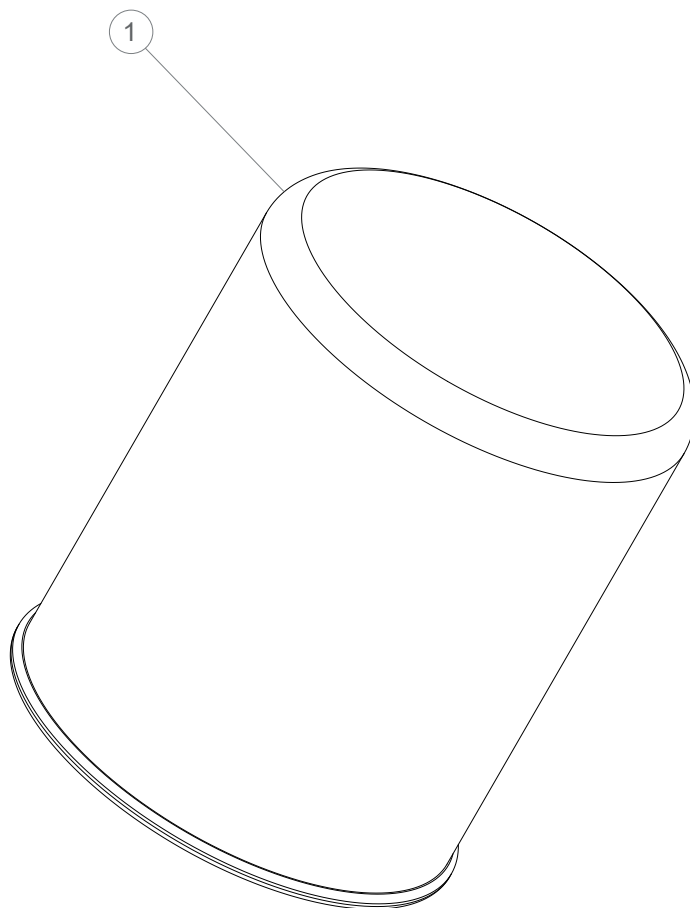
Primary Applications: Magnum - Dxi 12, Dxi 13  
Euro 4/5



#	Description	OEM Part Number	Racor Part Number
1	Replacement element	50 01 865 723	PFA5617

# Renault

Primary Applications: Magnum - Dxi 12, Dxi13 /  
Midlum II - Dxi 5, Dxi 7  
Euro 4/5

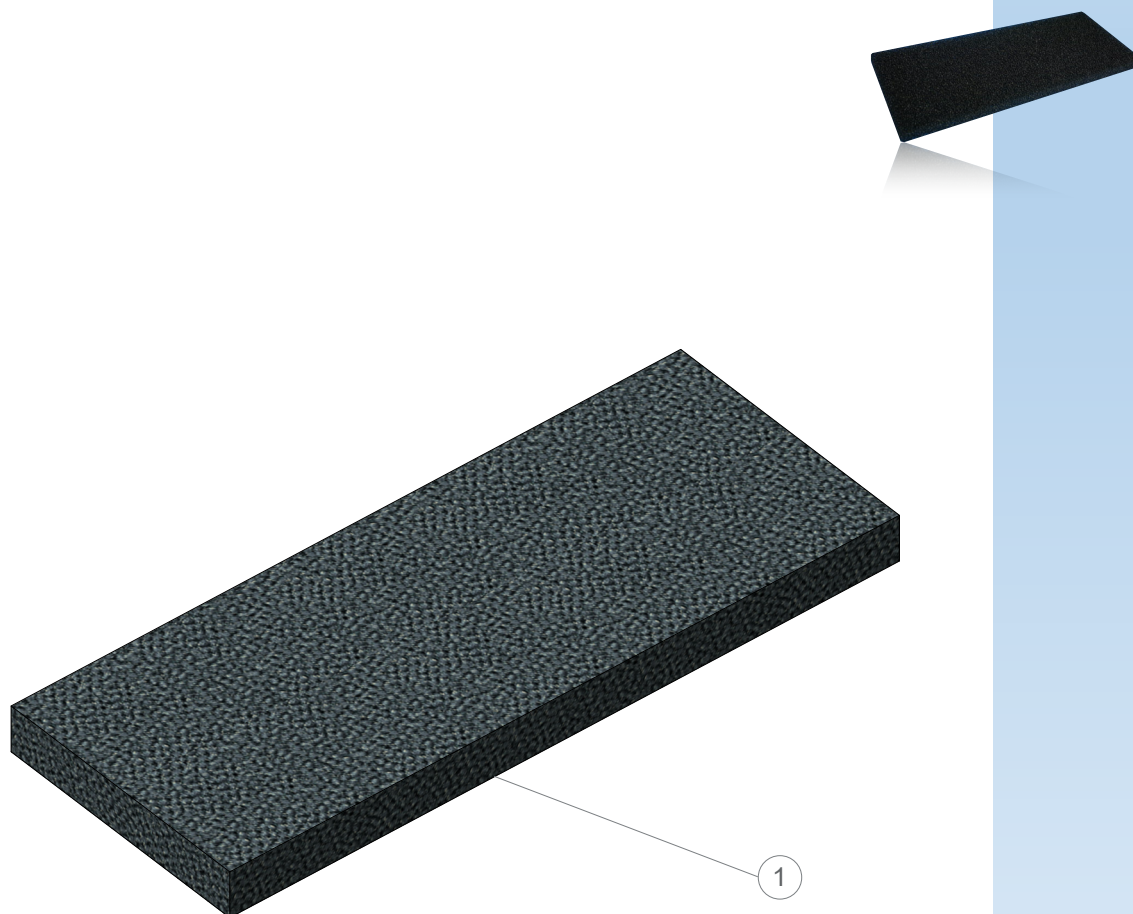


#	Description	OEM Part Number	Racor Part Number
1	Replacement element	50 01 865 404	Contact Parker   Racor



# Renault

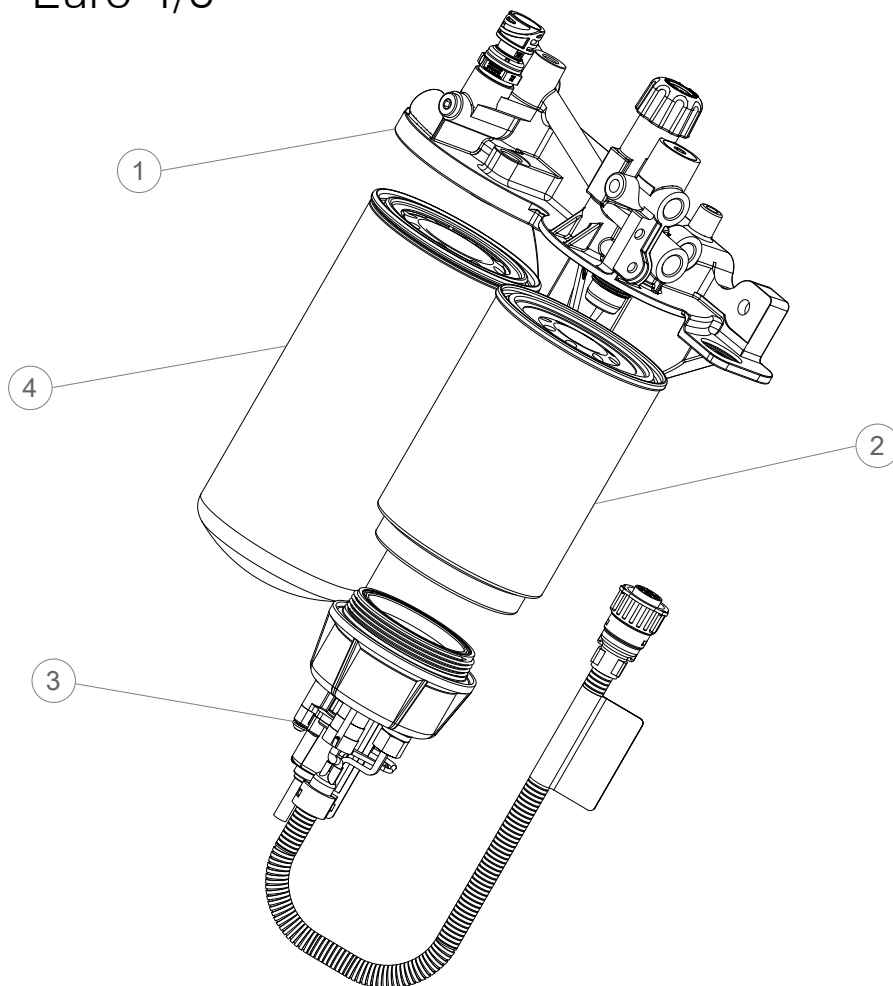
Primary Applications: Magnum - Dxi 12, Dxi 13  
Euro 4/5



#	Description	OEM Part Number	Racor Part Number
1	Filter mat	50 01 844 054	PFA5634

# Renault

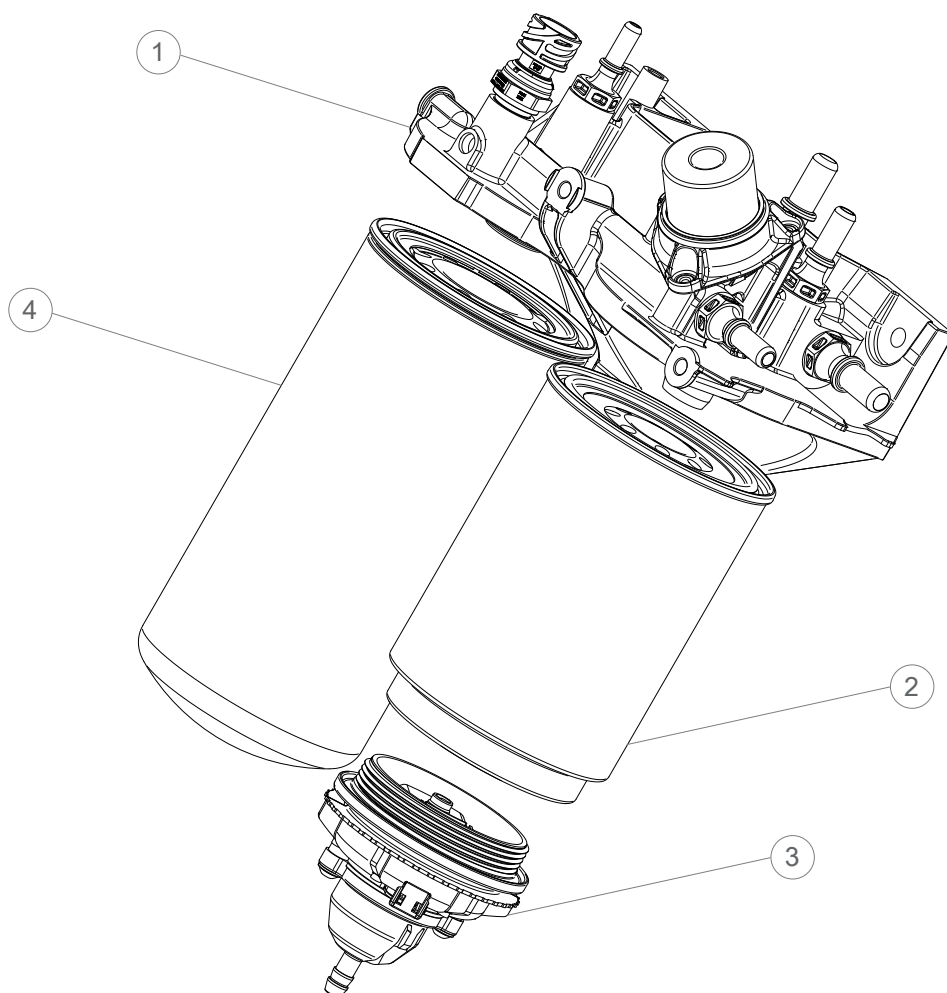
Primary Applications: Kerax / Premium /  
Magnum - Dxi12, Dxi13  
Euro 4/5



#	Description	OEM Part Number	Racor Part Number
1	Filter head including pressure sensor	7421023287	DRK00404
2a	Replacement element - primary filter	74 20 998 634	R260P
2b	Replacement element - primary filter	74 21 380 472	R60RDRCR01
2c	Replacement element - primary filter	74 21 380 483	R90RDRCR01
3a	Bowl assembly 24v solenoid/WIF/24v heater	7420869391	DRK 00396
3b	Bowl assembly 24v solenoid/WIF/No heater	20869391	DRK 00388
4	Replacement element - secondary filter	21764958	RS250RCR02
-	Clear bowl assembly, no heater, manual drain	Racor Exclusive	DRK 00390

# Renault

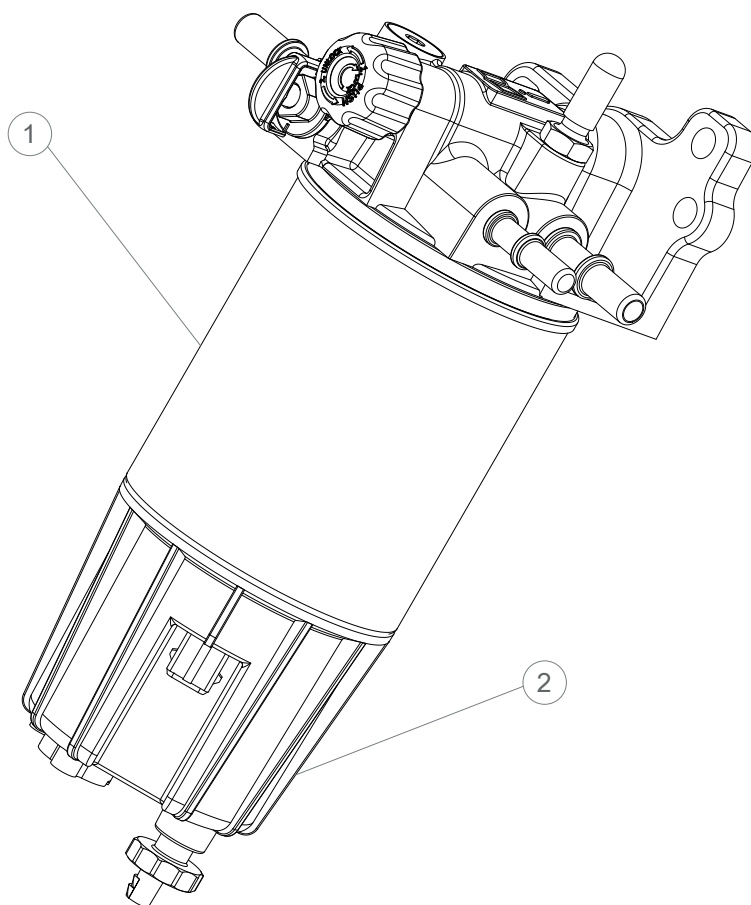
Primary applications: Magnum - Euro 6



#	Description	OEM Part Number	Racor Part Number
1	FFWS assembly, manual pump, with AHF	21766617	DRK00432
1	FFWS assembly, manual pump, without AHF	21879909	DRK00405
2a	Replacement element - primary filter	7421764968 (standard life) 7421764981 (long life)	R60RDRCR01 R60RDRCR01
2b	Replacement element - primary filter (ultimate long life)	7421764981	R90RDRCR01
3	Bowl assembly	21762862	DRK00407
4a	Replacement element - secondary filter (short height)	7421764961	RS175RCR01
4b	Replacement element - secondary element (long height)	7421764958	RS250RCR01

# Renault

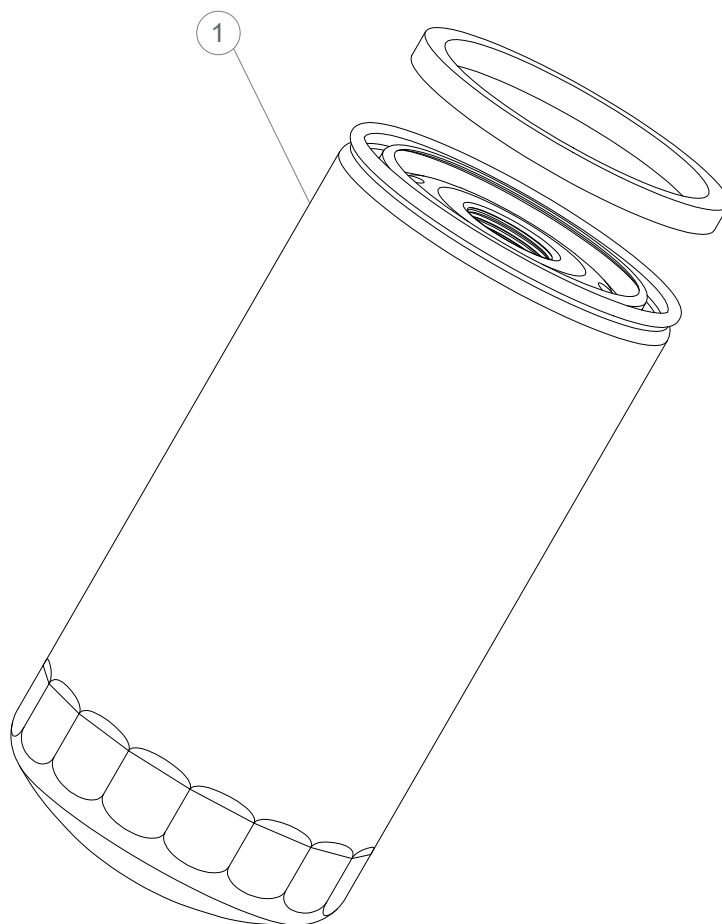
Primary Applications: Midlum II - Dxi5, Dxi7  
Euro 4/5



#	Description	OEM Part Number	Racor Part Number
-	FFWS assembly, with water sensor, no heater (R60)	21088114	MD5760DTV30RCR01
-	FFWS assembly, with water sensor, with heater (R60)	21088121	MD5760DTV30RCR02
1a	Replacement element	21380403	R60P-D-MAX
1b	Replacement element	21088099	R90T-D-MAX
1c	Replacement element	21380500	R160P-D-MAX
2	Bowl assembly	20591254	DRK00408
2	Bowl assembly	20900648	DRK 00195

# Renault

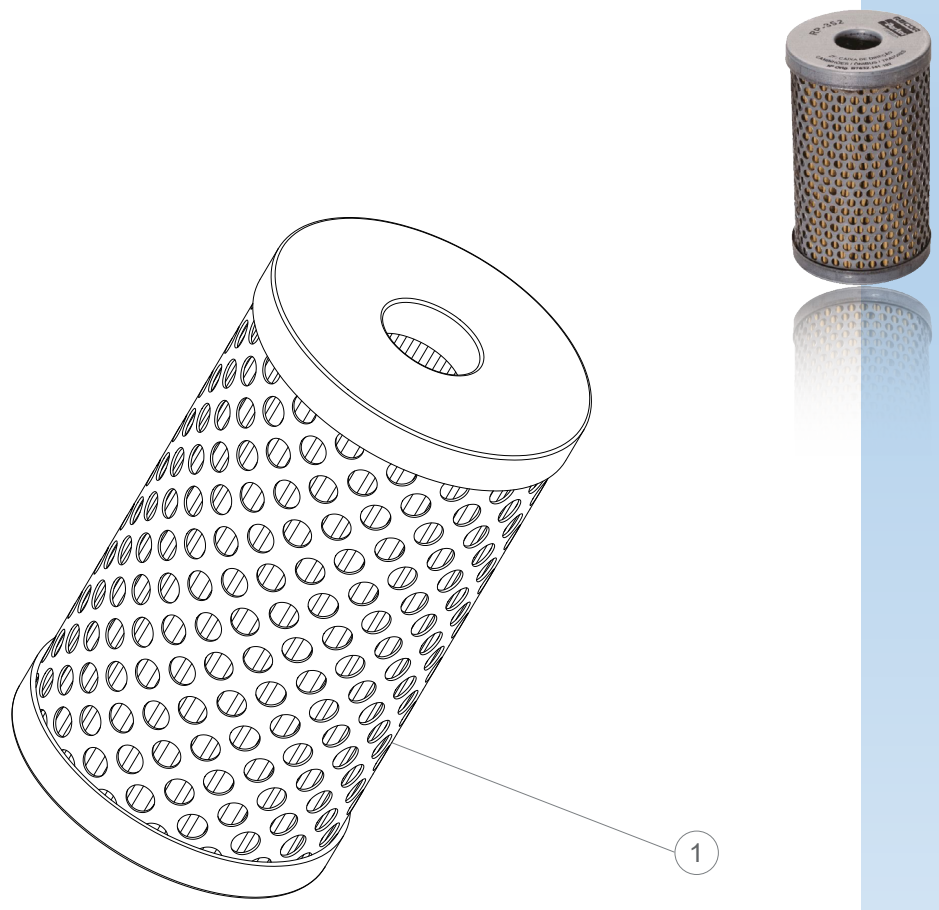
Primary Applications: Kerax / Premium /  
Magnum - Dxi12, Dxi13  
Euro 4/5



#	Description	OEM Part Number	Racor Part Number
-	Replacement element	74 20 779 040	PFL5621
1	Replacement element	74 21 561 278	PFL5620

# Renault

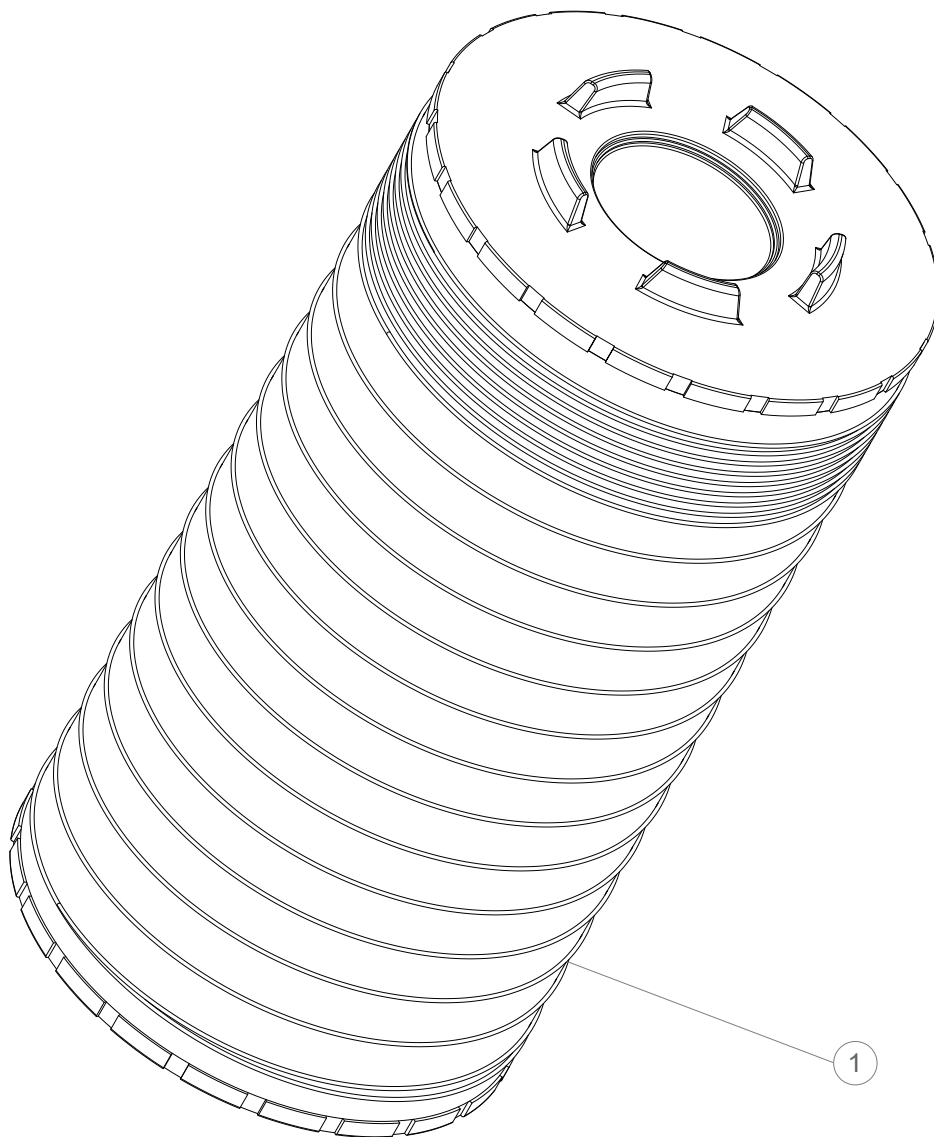
Primary Applications: Midlum II / Magnum - Dxi12, Dxi13



#	Description	OEM Part Number	Racor Part Number
1	Replacement element	50 00 814 407	RP-352

# Scania

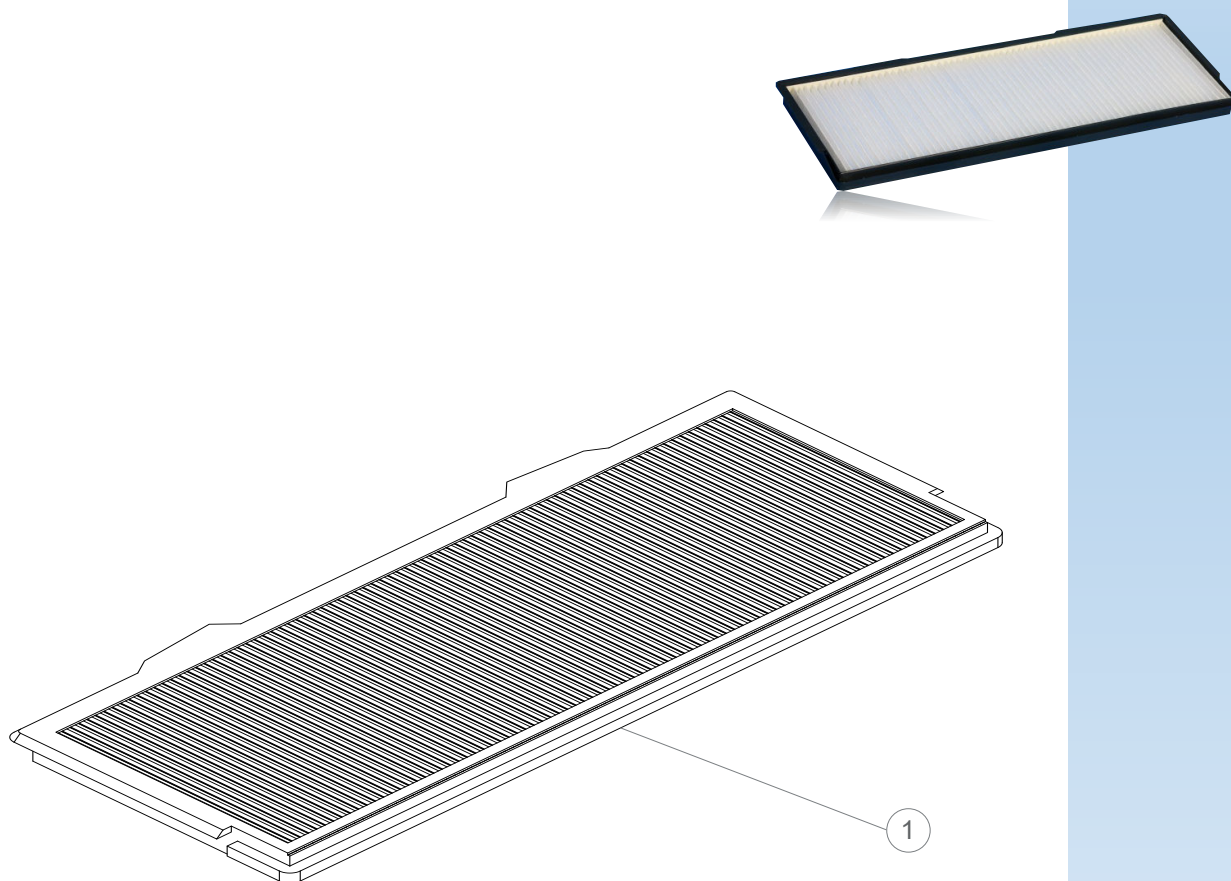
Primary Applications: Series 4/G/P/R/T  
Euro 4/5



#	Description	OEM Part Number	Racor Part Number
1	Replacement element	148 5592	PFA5627
-	Replacement element	172 8667	PFA5626

# Scania

Primary Applications: P Series / R Series - DC9, DC11, DC12, DC13, DC16

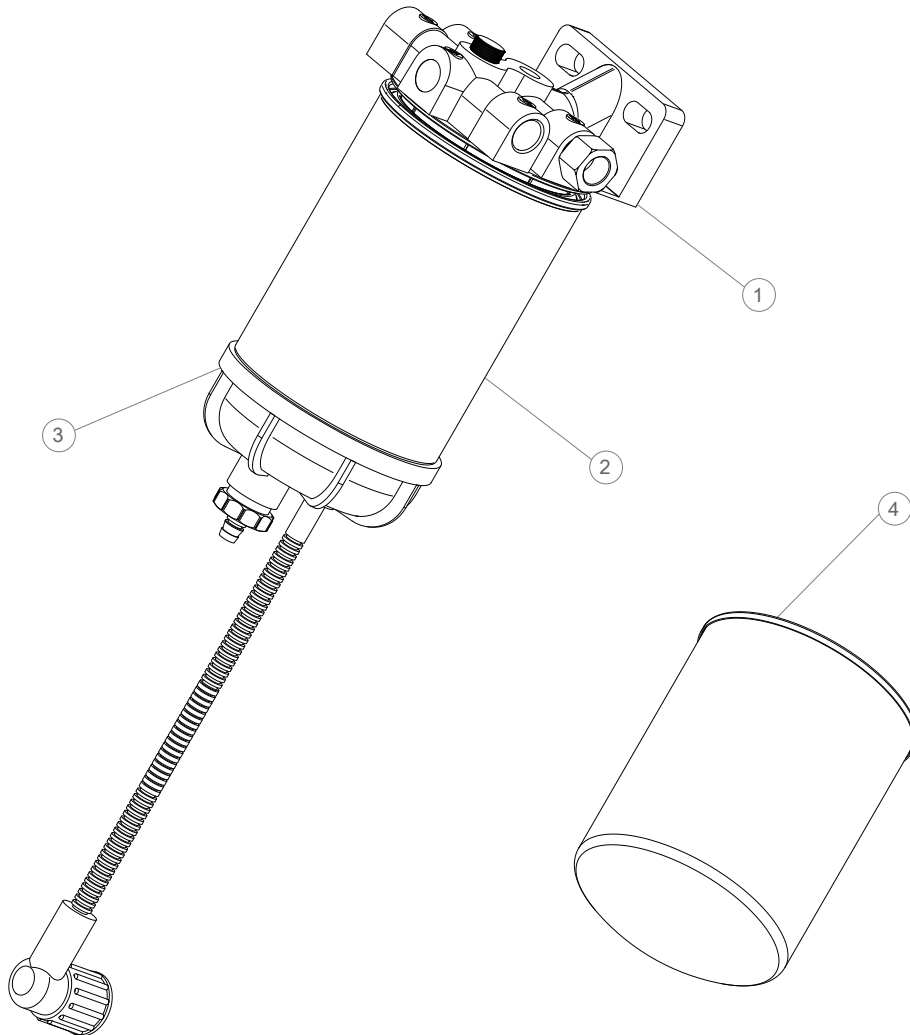


#	Description	OEM Part Number	Racor Part Number
1	Replacement element, standard	191 3500	PFA5635
-	Replacement element, standard	191 3503	PFA5636
-	Replacement element, carbon activated	191 3503	PFA5637
-	Filter mat	132 6780	PFA5638



## Scania

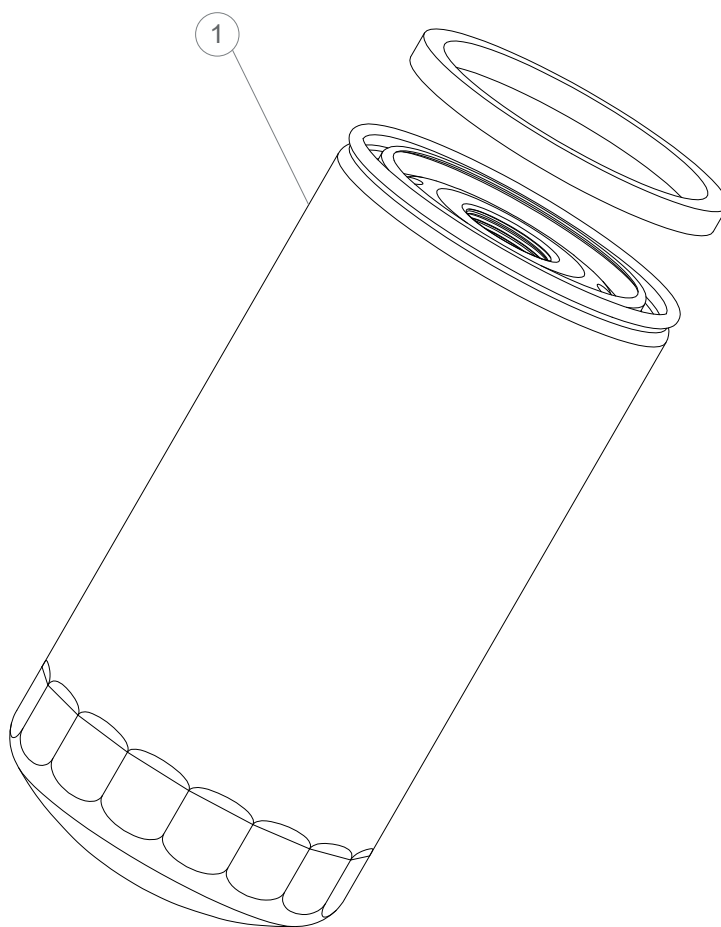
Primary applications: Series 4/G/P/R/T  
Euro 4/5



#	Description	OEM Part Number	Racor Part Number
-	FFWS assembly, with bowl heat	1393642	690-30M-24
-	FFWS assembly, no heater	Racor exclusive	690-30M
1	Filter head	Racor exclusive	KR50013
2	Replacement element - primary filter (R90)	1393640	R90P
2	Replacement element - primary filter (R120)	1518512	PFF5605
3	Bowl assembly with 24V heater	Racor exclusive	KR 27004-H
3	Bowl assembly without heater	1407702	KR 27004
4	Replacement element - secondary filter	1411794	RC-381

# Scania

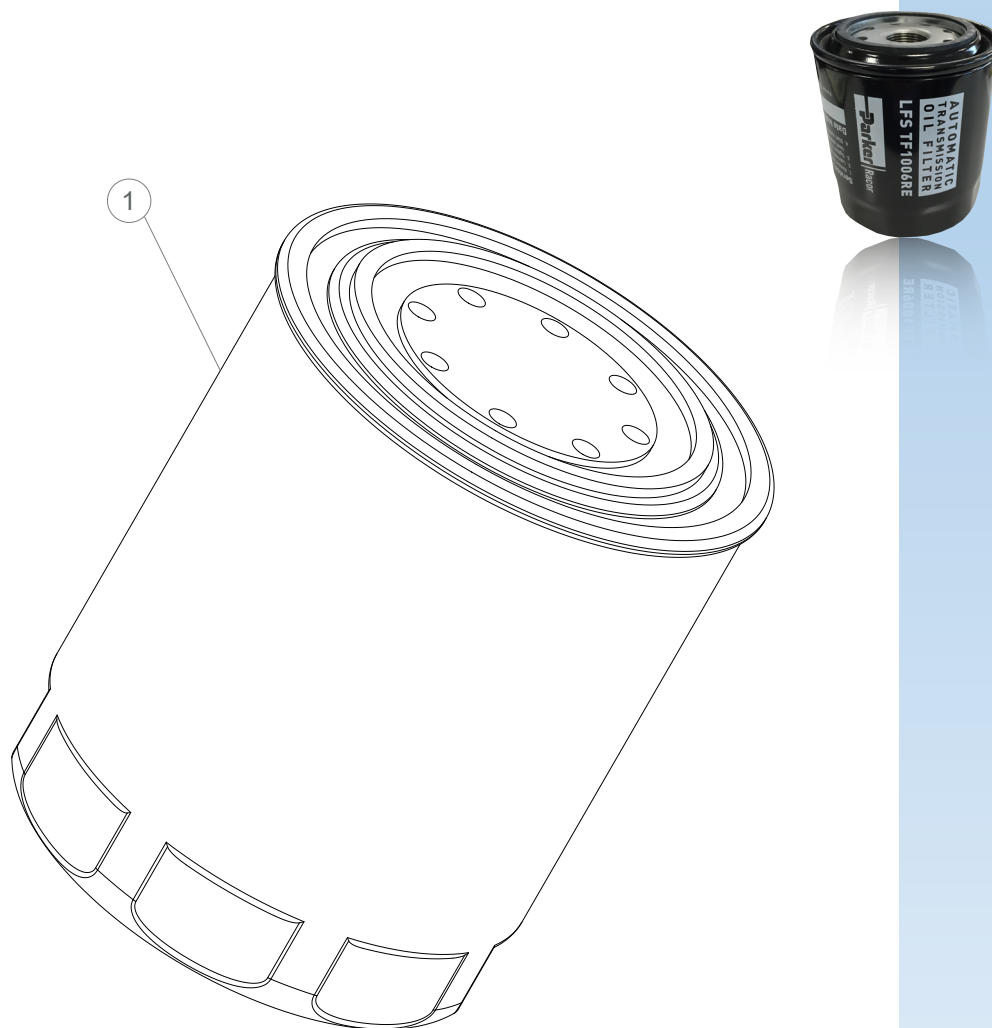
Primary Applications: Series 4/G/P/R/T  
Euro 4/5



#	Description	OEM Part Number	Racor Part Number
1	Replacement element	2077885	PFL5615

# Scania

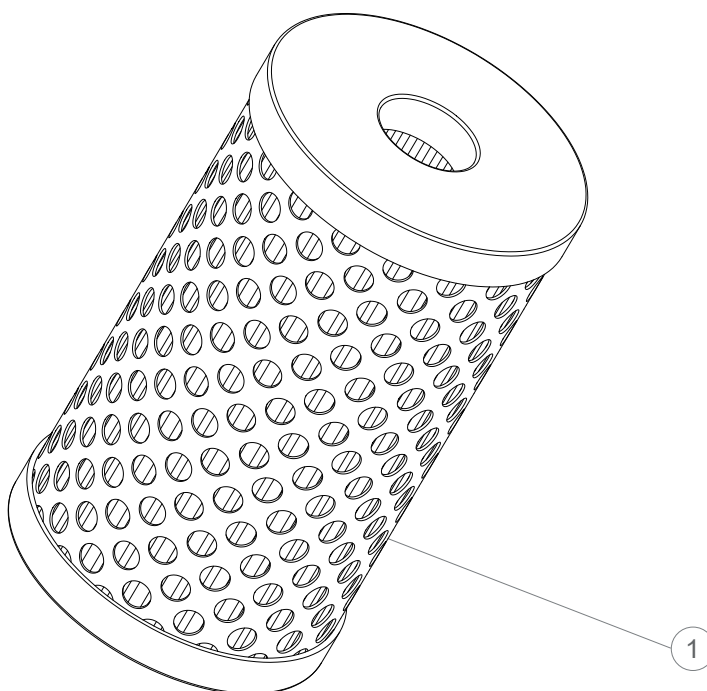
Primary Applications: Series 4/G/P/R/T  
Euro 4/5



#	Description	OEM Part Number	Racor Part Number
1	Replacement element - transmission	176 8402	LFS TF1006RE

# Scania

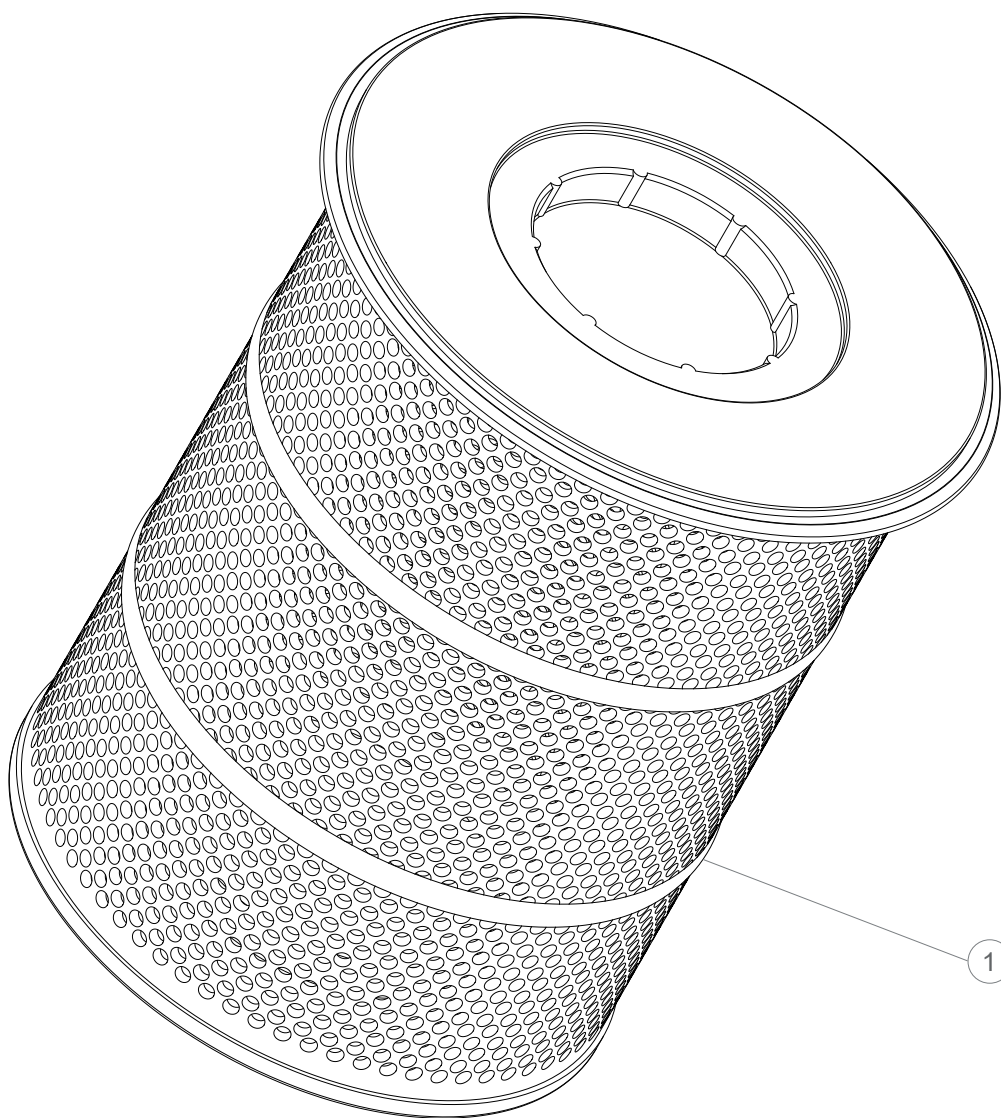
Primary Applications: Series 4/G/P/R/T



#	Description	OEM Part Number	Racor Part Number
1	Replacement element	153 468	RP-352

# Volvo

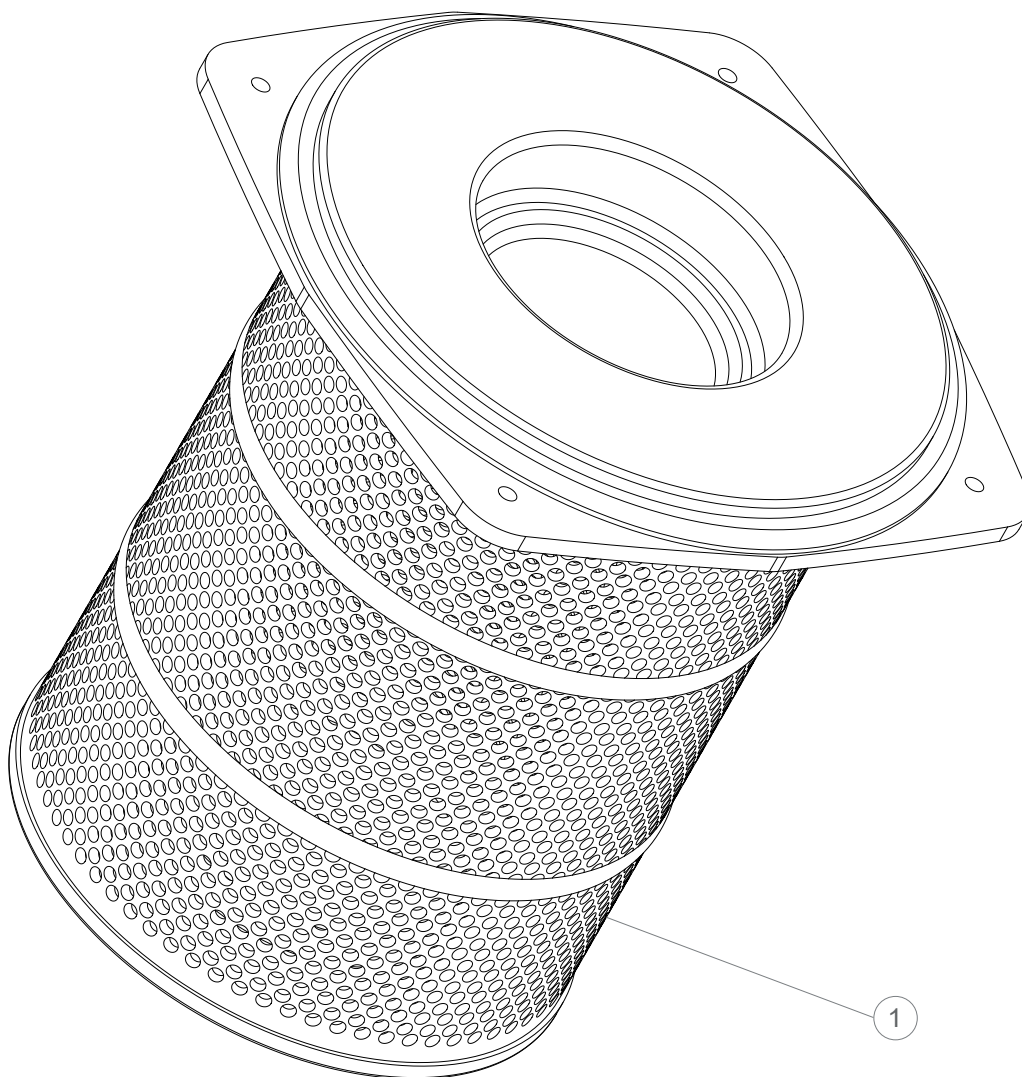
Primary Applications: FM12, FM10, FM9, FM7



#	Description	OEM Part Number	Racor Part Number
1	Replacement element	21834199	PFA5624

# Volvo

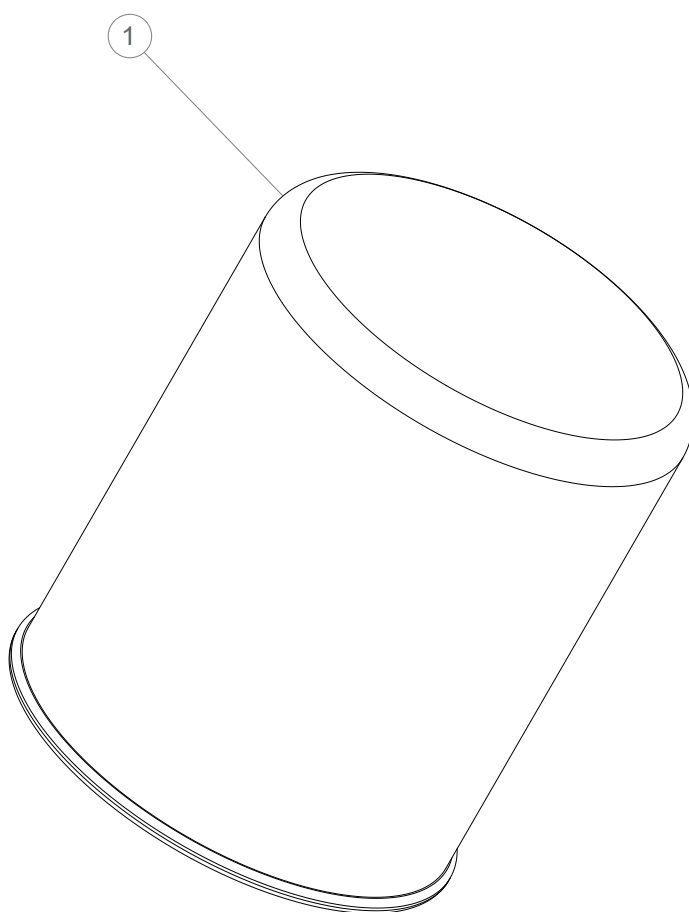
Primary Applications: FH12 - D 12A/B/C/D



#	Description	OEM Part Number	Racor Part Number
1	Replacement element	1665898	PFA5618
-	Replacement element	8149961	PFA5619

# Volvo

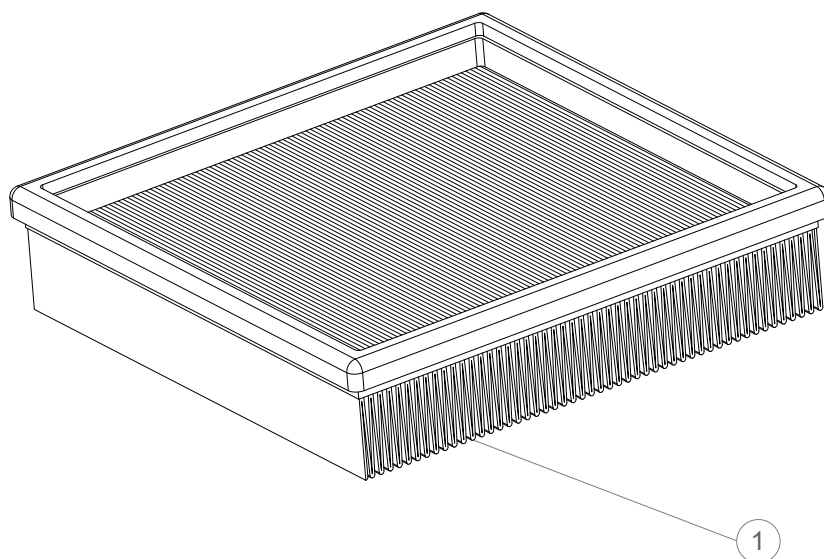
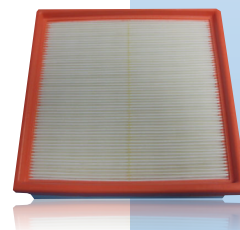
Primary Applications: FH12 - D 12A/B/C/D



#	Description	OEM Part Number	Racor Part Number
1	Replacement element	1699132	Contact Parker   Racor

# Volvo

Primary Applications: FH12 - D 12A/B/C/D

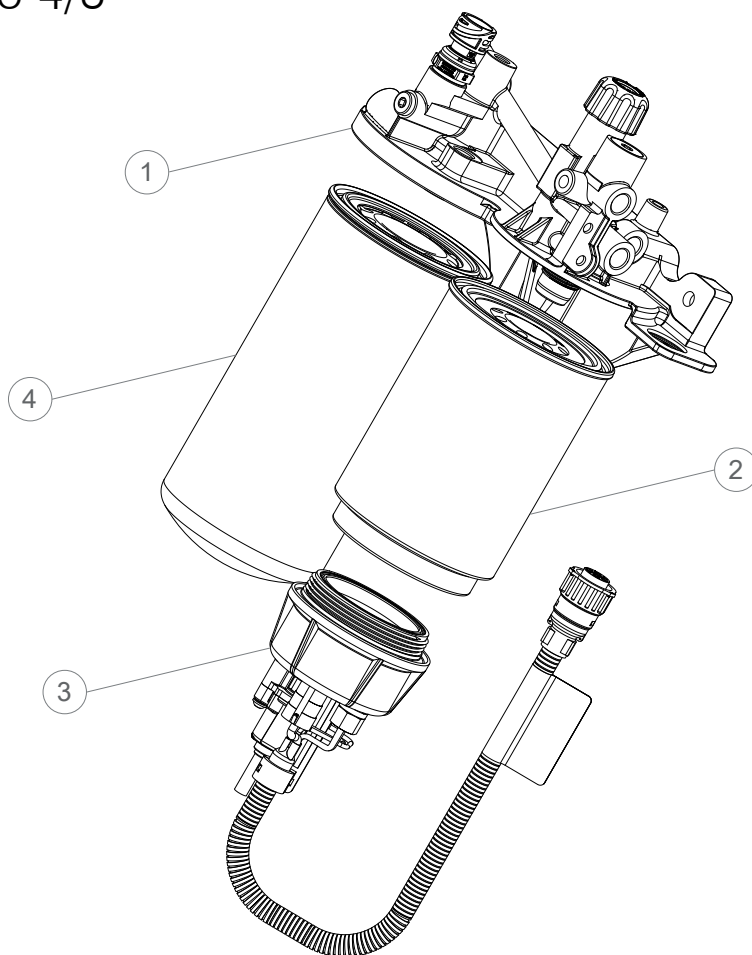


#	Description	OEM Part Number	Racor Part Number
1	Replacement element, standard	8143691	PFA5639
-	Replacement element, carbon activated	20409908	PFA5640



## Volvo

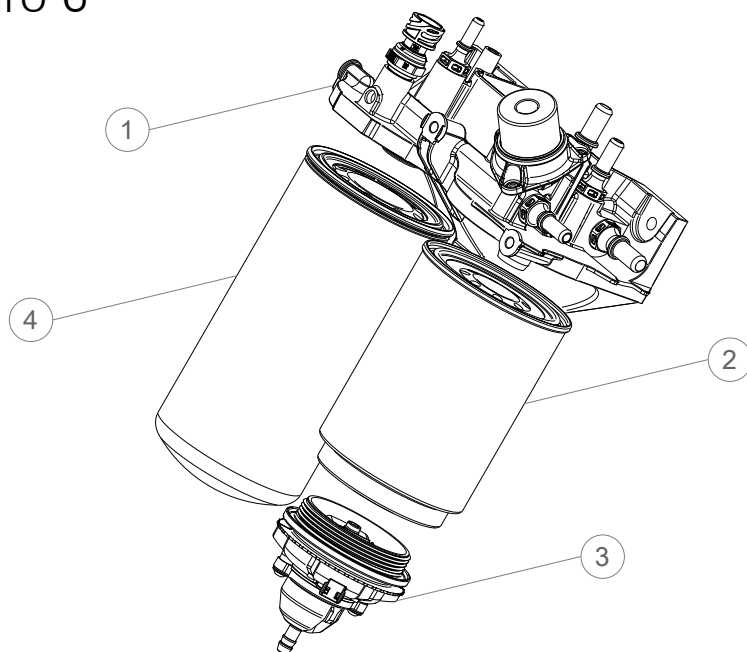
Primary applications: FH12, FH16, FL, FM  
Euro 4/5



#	Description	OEM Part Number	Racor Part Number
1a	Filter housing	21900852	DRK00404
1b	Filter housing	21023285, 21870628	DRK 00391
2a	Replacement element - primary filter	20998367	R260P
2b	Replacement element - primary filter	21380475	R60RDRCR01
2c	Replacement element - primary filter	21380490	R90RDRCR01
3a	Bowl assembly 24v solenoid / WIF/ no heater	20869391	DRK 00388
3b	Bowl assembly 24v solenoid / WIF/ 24v heater	20869387	DRK 00396
-	Clear bowl assembly 24v solenoid / WIF / no heater	20870049	DRK00456
-	Clear bowl assembly 24v / WIF / 24v heater	20875073	DRK 00188-RCR
4	Replacement element - secondary filter	21764937	RS250RCR02
-	Clear bowl assembly, no heater, manual drain	Racor exclusive	DRK 00390

# Volvo

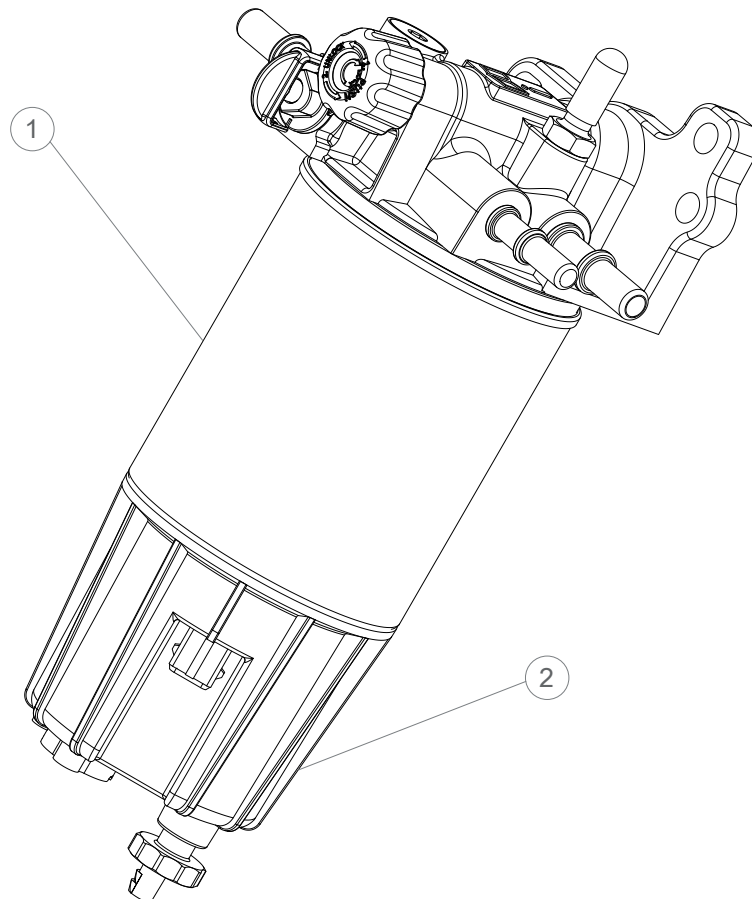
Primary Applications: FH16  
Euro 6



#	Description	OEM Part Number	Racor Part Number
1	FFWS assembly, electric pump, with AHI	21762800	DRK00431
1	FFWS assembly, manual pump, with AHI	21762764	DRK00432
1	FFWS assembly, manual pump, without AHI	21879911	DRK00405
2a	Replacement element - primary filter	21764966 (standard life) 21764964 (long life)	R60RDRCR01 R60RDRCR01
2b	Replacement element - primary filter (ultra life)	21764964	R90RDRCR01
4a	Replacement element - secondary filter	21764952	RS175RCR01
4b	Replacement element - secondary filter	21764937	RS250RCR01
-	Priming pump kit	22502434	DRK00489
-	Pressure sensor	Racor exclusive	DRK00491
-	Connector 8.0mm	21762883	DRK 00289-RCR
-	Connector 10.0mm	21762881	DRK 00288-RCR
-	Connector 12.0mm	21762877	DRK 00287-RCR
-	AHI unit	21762848	DRK00515
3	Bowl assembly	21762862	DRK00516
-	Bowl clip	21762885	DRK00517

# Volvo

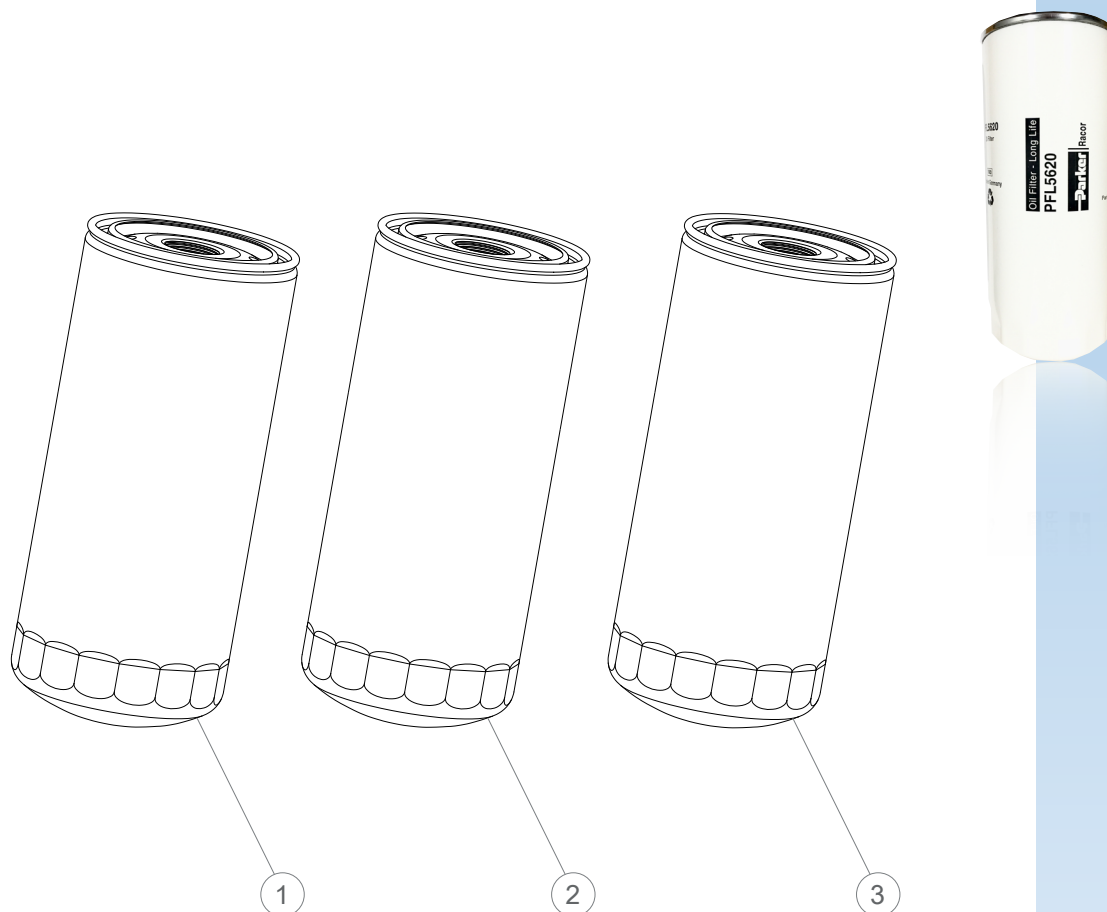
Primary applications: FE II, FL II  
Euro 4/5



#	Description	OEM Part Number	Racor Part Number
-	FFWS assembly, with water sensor, no heater (R60)	20591265	MD5760DTV30RCR01
-	FFWS assembly, with water sensor, with heater (R60)	20591266	MD5760DTV30RCR02
1a	Replacement element	21380408	R60P-D-MAX
1b	Replacement element	21088101	R90T-D-MAX
2	Bowl assembly	7420900648	DRK 00195

# Volvo

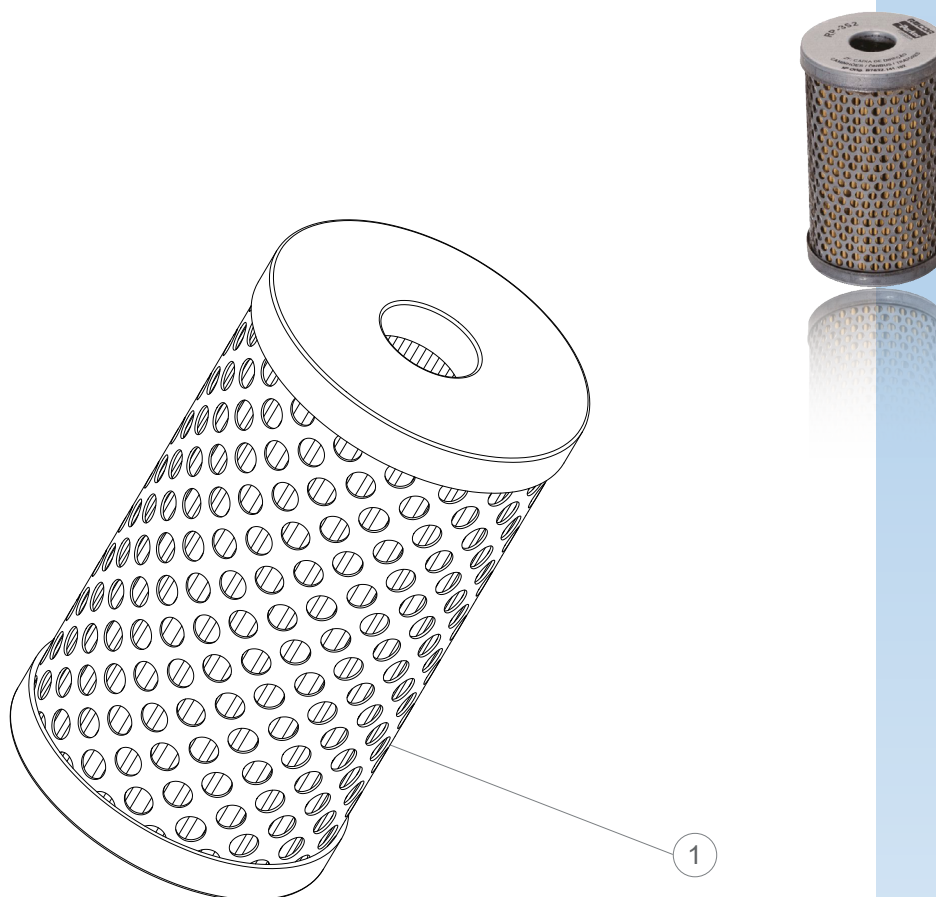
Primary applications: FH12, FH16, FL, FM  
Euro 4/5



#	Description	OEM Part Number	Racor Part Number
1	Replacement element - bypass	21707132	PFL5623
2	Replacement element	21707133	PFL5620
3	Replacement element	21707134	PFL5622

# Volvo

Primary Applications: FH12, FM12, FM10, FM9, FM7



#	Description	OEM Part Number	Racor Part Number
1	Replacement element	349619	RP-352

# Cross Reference List

Sorted by OEM Part Number

Competitor Part Number	Racor Part Number	Competitor Part Number	Racor Part Number
1.14421	LFS TF1006RE	6832430	R160T
2.12232	R90P	6878730	R160T
2.12237	RS250RCR02	8159975	R260P
2.12239	R260P	8159975	R90P
2.12268	R90T-D-MAX	10032291	R420PL
2.12269	R60P-D-MAX	10101998	R160T
6.33201	R260P	11081663	R90T-D-MAX
1002	PFF5600	11110189	PFF5605
1010	PFF5600	11110474	PFF5605
1030	PFF5601	11110668	PFF5605
29454	R160T	11110683	R160P
30069	R260P	11110683	R160T
33788	R90P	11342141	R90P
33849	PFF67555	14514238	PFF5601
687110	R90P	20386080	R260P
1292404	R160T	20405160	RS250RCR01
1296851	R90P	20430751	RS250RCR02
1355891	PFF5605	20480593	R260P
1393640	R90P	20514654	R260P
1411794	RC-381	20539582	RS250RCR02
1518512	PFF5605	20541383	R260P
1763776	RC-381	20745605	R90RDRCR01
1780730	R160P-D-MAX	20745605	R90T-D-MAX
1780730	R160T	20788794	R90RDRCR01
2041590	R90T-D-MAX	20815011	RS250RCR02
2113151	R160T	20851191	R60P-D-MAX
2934608	R90T-D-MAX	20863193	R60P-D-MAX
2997374	R90T-D-MAX	20875672	RS250RCR01
3119822	PFF5601	20879806	R60RDRCR01
3322877	R90P	20879812	R90RDRCR01
3945966	R260P	20972293	RS250RCR01
4006527	R90P	20972295	RS250RCR01
4291642	R90T-D-MAX	20976005	RS250RCR02
5717961	R90T-D-MAX	20998346	R260P
5825009	R160T	20998346	R60RDRCR01
5825010	R160T	20998367	R260P

# Cross Reference List

Sorted by OEM Part Number

Competitor Part Number	Racor Part Number	Competitor Part Number	Racor Part Number
21005832	R90RDRCR01	70382971	R260P
21017305	R60RDRCR01	70382972	R260P
21017307	R90RDRCR01	70385346	PFF5605
21041613	R90RDRCR01	70385347	PFF5605
21088099	R90T-D-MAX	70385355	R90T-D-MAX
21144898	R60RDRCR01	70385356	R90T-D-MAX
21145173	RS250RCR01	70385370	R60P-D-MAX
21366596	R90RDRCR01	70385371	R60P-D-MAX
21380408	R60P-D-MAX	76832430	R160T
21380472	R60RDRCR01	76878730	R160T
21380475	R60RDRCR01	81599755	R260P
21380479	R60RDRCR01	81599755	R90P
21380488	R90RDRCR01	93297277	R90P
21380490	R90RDRCR01	112142225	R90P
21380500	R160P-D-MAX	330510016	R160T
21380515	R60P-D-MAX	411900028	R90P
21380521	R60RDRCR01	504086268	R90T-D-MAX
21380524	R90RDRCR01	504166113	R160T
21380526	R90RDRCR01	504272431	R90T-D-MAX
21409660	R160T	511707814	PFF5601
21707132	PFL5623	528200004	R90P
21707133	PFL5620	528200091	R90DRCR01
21707134	PFL5623	528200158	R90T-D-MAX
21764937	RS250RCR01	821200000	R260P
21764937	RS250RCR02	1092035892	R90P
21764952	RS175RCR01	1092035897	R90P
21764958	RS250RCR02	1152524302	LFS TF1006RE
30000002	R90P	2914807000	R90P
42549295	R90T-D-MAX	3211110668	PFF5605
42554067	R160P	3222308994	R160T
45056112	R90P	3754770002	R90P
50013650	RS250RCR02	5112503066	R90P
50013657	LFS TF1006RE	5801620130	R160G
50013658	R260P	9020000090	R90P
50013982	R160T	9020000120	R160T
50014194	R90T-D-MAX	9020009000	R90T-D-MAX

# Cross Reference List

Sorted by OEM Part Number

Competitor Part Number	Racor Part Number	Competitor Part Number	Racor Part Number
51125030066	R90P	74 20 514 654	R260P
0 451 103 330	LFS TF1006RE	74 20 541 381	RS250RCR02
00322930450L	R160T	74 20 541 383	R260P
02113151 EZ 0130-20	R160P	74 20 745 605	R90RDRCR01
02113151EZ013	R160P	74 20 745 605	R90T-D-MAX
02113151EZ0130-20	R160T	74 20 779 040	PFL 5621
04.38.005	R90P	74 20 875 666	RS250RCR01
10-0080	LFS TF1006RE	74 20 972 291	RS250RCR01
130 1696	LFS TF1006RE	74 20 976 001	RS250RCR02
131 9822	PFF5601	74 20 998 346	R60RDRCR01
13C08-33116-AA	R160T	74 20 998 349	R90RDRCR01
143 3649	R420PL	74 20 998 634	R260P
176 8402	LFS TF1006RE	74 21 088 101	R90T-D-MAX
21764964 (long life)	R60RDRCR01	74 21 380 403	R60P-D-MAX
21764964 (ultra life)	R90RDRCR01	74 21 380 472	R60RDRCR01
21764966 (standard)	R60RDRCR01	74 21 380 483	R90RDRCR01
24.342.00	RS250RCR02	74 21 380 500	R160P-D-MAX
2C46-6744-AB	RL300RCR01	74 21 561 278	PFL5620
2C46-6744-AC	RL300RCR01	74 21 764 958	RS250RCR01
2C46-6C769-AB	RLB30RCR01	74 21 764 961	RS175RCR01
2C46-6C769-AC	RLB30RCR01	74 21 764 968	R60RDRCR01
2C46-9176-BA	RS250RCR01	74 21 764981	R90RDRCR01
3788NAPA	R90P	81.12501.0021	PFF5601
3905873M91	R160P	81.12501.0030	PFF5601
3909638M1	R60P-D-MAX	81.12501.0033	PFF5600
3C46-9176-BA	R420PL	81.12503.0086	PFF5601
3C46-9176-CA	R160T	86788CARQ	R90P
51.12501-7283	R420PL	A 000 477 01 03	R160DRCR01
51.12501-7288	R420PL	A 000 477 13 02	R90DRCR01
51.12503.0051	R160T	A 000 477 16 02	R90T-D-MAX
51.12503.0053	RS250RCR02	A 000 477 17 02	R160P
51.12503.0066	R90P	A 375 477 00 02	R90P
51.12503-0052	R420PL	A0000901752	PFF67605
51.12503-6000	R160T	A0000904251	PFF67555
65.12501.5021	R160T	A0000904251	PFF67555a
7176-301	R260P	A0004771302	R160T



# Cross Reference List

Sorted by OEM Part Number

Competitor Part Number	Racor Part Number	Competitor Part Number	Racor Part Number
A210340	LFS TF1006RE	HDF302	R90P
BF 1329SP	R90P	HDF304	R90T-D-MAX
BF 1349	R90P	HDF305	R60P-D-MAX
BF-1292-0	R90T-D-MAX	HDF573	RS250RCR02
BF7908	RC-381	HF7535	LFS TF1006RE
DC46-9601-AA	500375000	HK7120WK30	R160P
DC46-9601-BB	500443000	HNM906092R112	R160P
E0A000557	R160T	HU 721Y	PFL 5621
E1010K	PFF5600	KC 200	R160T
E1030K	PFF5601	KC 249D	R90P
F339.202.060.120	R90T-D-MAX	KC 251	RS250RCR02
FBD82	RC-381	KC 362D	R260P
FBS3223	R260P	KC 374D	R90T-D-MAX
FF5424	RC-381	KC 375D	R160P
FF5507	RS250RCR02	KC 384D	R60P-D-MAX
FF5626	RC-381	KT7C46-6A603-AB	DRK00419
FS19532	R90P	LF16353	RL300RCR01
FS19605	PFF5601	LFF8063	R90P
FS19735	R260P	OP668	LFS TF1006RE
FS19736	PFF5605	P550515	RC-381
FS19737	R160T	P550730	R90P
FS19753	PFF5605	P550747	R90P
FS19769	R420PL	PL420/1 x	R420PL
FS19895	R60P-D-MAX	PL420x	R420PL
FS19918	R60RDRCR01	PS10678	R60RDRCR01
FS19920	R90RDRCR01	PS7170	R90P
FS19950	R90T-D-MAX	PS9915	R260P
FS19966	R60RDRCR01	PSC82	RC-381
H17WK11	RC-381	PSD260	R260P
H200WDK	RS250RCR02	R261BR	R260P
H24W05	LFS TF1006RE	R90MER	R160T
H700WK	R260P	SK3398	R90T-D-MAX
H701WK	R160T	SN 909030	R90P
H7090WK30	R90P	SN 909110	R90T-D-MAX
H7121WK10	PFF5605	SN 909230	R90RDRCR01
HC 113	LFS TF1006RE	SN 916010	R160T
HDF301	R260P	SN 916030	R160P

# Cross Reference List

Sorted by OEM Part Number

Competitor Part Number	Racor Part Number
SN 926030	R260P
SP-1303	LFS TF1006RE
SP1545M	R160T
SP926M	R420PL
VOE11110189	PFF5605
VOE11110474	PFF5605
VOE11110668	PFF5605
VOE11110683	R160P-D-MAX
VOE30000002	R90P
W 11 102/34	PFL5620
W 11 102/36	PFL5622
W 11 102/37	PFL5615
W 930/14	LFS TF1006RE
W1160/5	RLB30RCR01
W1170/9	RL300RCR01
WDK 11 102/11	RS250RCR01
WDK 11 102/9	RS250RCR02
WK 10 006z	R60RDRCR01
WK 1040/1 X	R60P-D-MAX
WK 1060/3x	R90P
WK 1070 X	R90T-D-MAX
WK 1080/6	R160P
WK 1080/6 X	R160P
WK 1080/7	R160T
WK 1080/7 X	R160T
WK 11 003 Z	R90RDRCR01
WK 1176	PFF5605
WK 1176 X	PFF5605
WK 940/33	R260P
WK 940/33 X	R260P
WK940/2	RC-381
WK940/26	R260P
WP 11 102/3	PFL5623