

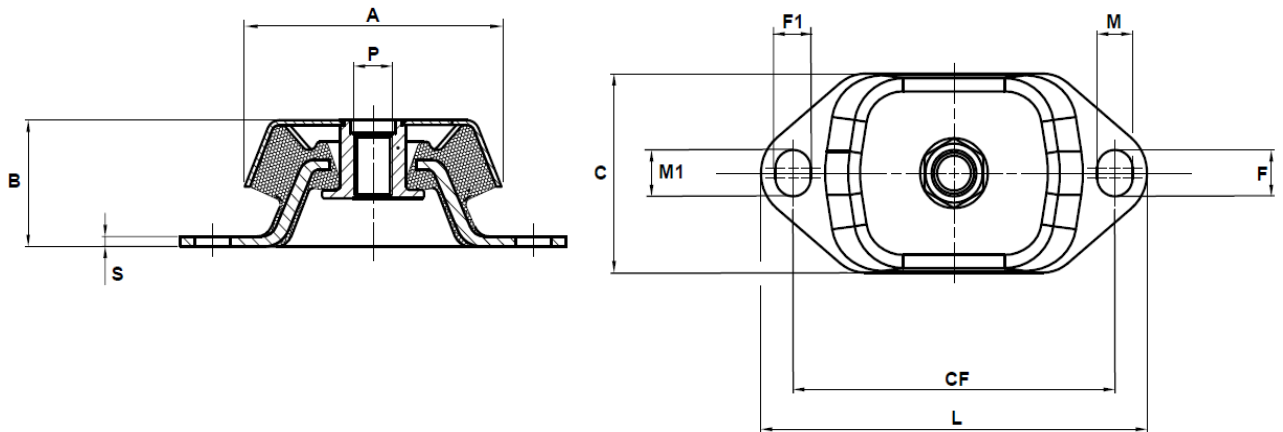
Anti-vibration Mounts

Rectangular Engine Mounts

Easy-to-install design with an integral fail-safe device to provide shock and failure protection for mobile, marine or seismic stationary applications. These mounts can accommodate loads between 9kg and 826kg per mount.

- Bell and flange: DD13 or DC04 steel (UNI EN10111 ALT UNI EN10130)
- Natural rubber, zinc plated in accordance with CE standards, chrome VI free, white
- Stiffness tolerance: +/- 15%

Applications: genset, marine power engines, diesel engines, pumps and HVAC.



PART CODE	HARDNESS (IRHD)	A	B	C	P	FXM (F1XM1)	CF	L	S	Compression Stiffness Rate Kg/mm	Max. Operating Load Kg	Max Static Deflection mm
AVM80-45	45	80	38	60	M12	14 x 11	100	120	3.0	9.2	36.7	4
AVM80-60	60	80	38	60	M12	14 x 11	100	120	3.0	16.3	65.3	4
AVM80-70	70	80	38	60	M12	14 x 11	100	120	3.0	24.5	97.9	4
AVM104-45	45	104	49	75	M16	30 x 13 (20 x x13)	140	183	4.0	24.5	122.4	5
AVM104-60	60	104	49	75	M16	30 x 13 (20 x13)	140	183	4.0	38.7	193.7	5
AVM104-70	70	104	49	75	M16	30 x 13 (20 x13)	140	183	4.0	61.2	305.9	5
AVM130-45	45	132	71	112	M20	34 x 18 (26 x18)	182	230	5.0	56.1	336.5	6
AVM130-60	60	132	71	112	M20	34 x 18 (26 x18)	182	230	5.0	91.8	550.6	6
AVM130-70	70	132	71	112	M20	34 x 18 (26 x18)	182	230	5.0	137.7	826	6