

812 Series Quick Action Couplings

Nominal Diameter 13mm

Coupling	Material	Working Temperature
Back Body	Mild Steel (Zinc Plated)	-20°C to +100°C (NBR)
Valve Body	Mild Steel (Zinc Plated)	-15°C to +200°C (Viton)
Sleeve	Mild Steel (Zinc Plated)	Depending on Medium
Spring	Stainless Steel	
Seals	NBR (Viton Available)	

Plugs	Material	Working Pressure
Plug Body	Mild Steel (Zinc Plated)	75 bar working pressure with safety factor of 4:1

Technical Description:

Quick action bayonet style couplings designed for high pressure compressed air or inert gas.

Advantages:

The fittings connect together by a push and turn motion. Once connected, the spring loaded sleeve secures them together.

Male Thread BSPT Coupling

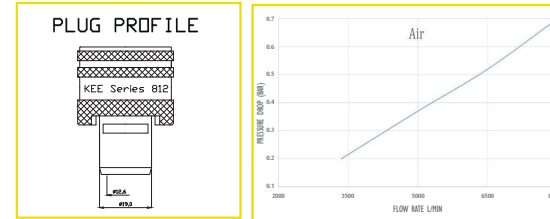


Termination	Length	Diameter	Part No
3/8"	61	35	812CNMT38SNZ
1/2"	61	35	812CNMT12SNZ
3/4"	61	35	812CNMT34SNZ
1"	61	35	812CNMT01SNZ

Female Thread BSPP Coupling



Termination	Length	Diameter	Part No
3/8"	48	35	812CNFP38SNZ
1/2"	48	35	812CNFP12SNZ
3/4"	50	35	812CNFP34SNZ
1"	57	35	812CNFP01SNZ



Hose Tail Coupling



Termination	Length	Diameter	Part No
3/8"	81	35	812CNHT10SNZ
1/2"	81	35	812CNHT13SNZ
3/4"	88	35	812CNHT19SNZ
1"	95	35	812CNHT25SNZ

Female Thread BSPP Plug



Termination	Length	Diameter	Part No
3/8"	74	35	812PNFP38SNZ
1/2"	74	35	812PNFP12SNZ
3/4"	76	35	812PNFP34SNZ
1"	83	35	812PNFP01SNZ

Male Thread BSPT Plug



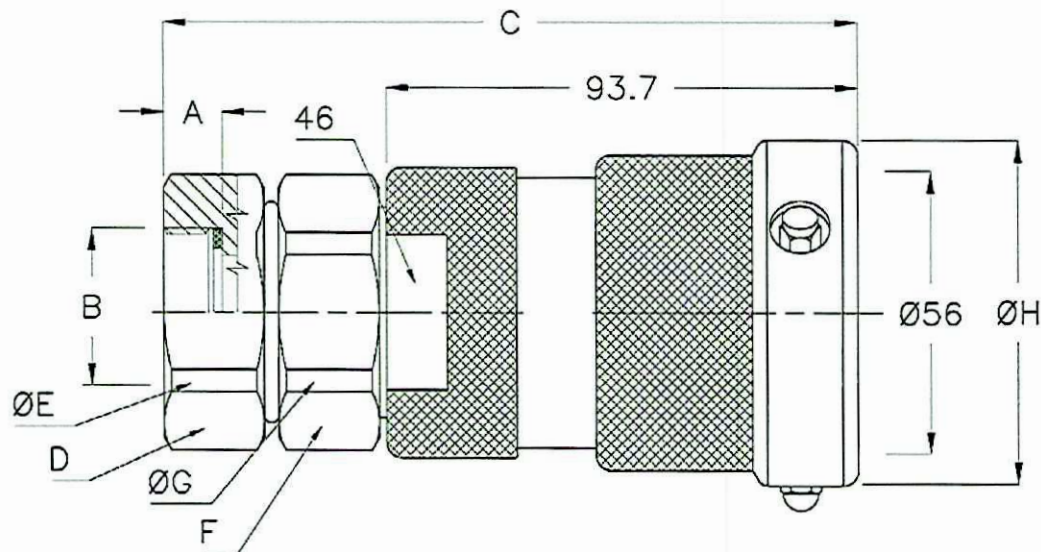
Termination	Length	Diameter	Part No
3/8"	87	35	812PNMT38SNZ
1/2"	87	35	812PNMT12SNZ
3/4"	87	35	812PNMT34SNZ
1"	87	35	812PNMT01SNZ

Hose Tail Plug



Termination	Length	Diameter	Part No
3/8"	106	35	812PNHT10SNZ
1/2"	106	35	812PNHT13SNZ
3/4"	114	35	812PNHT19SNZ
1"	120	35	812PNHT25SNZ

TODO-MATIC Hose Units - couplings $\varnothing 56$



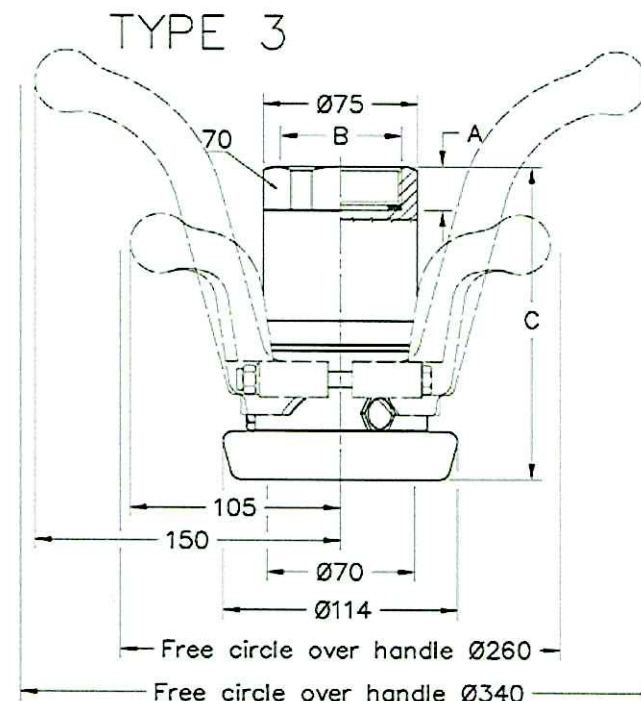
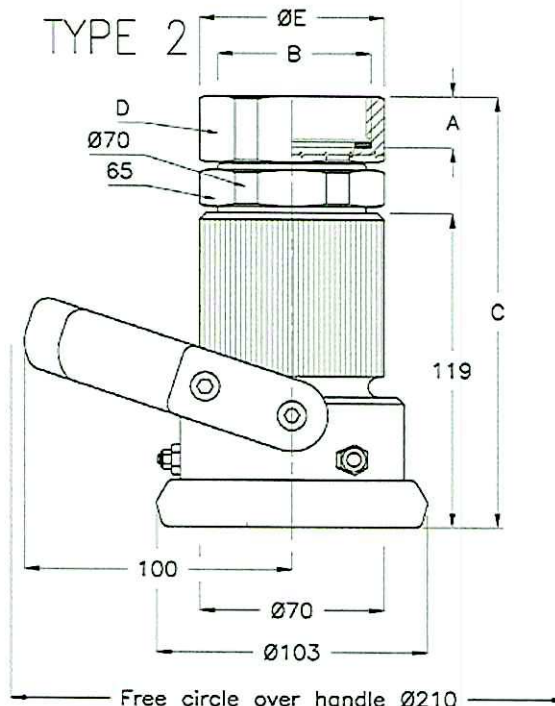
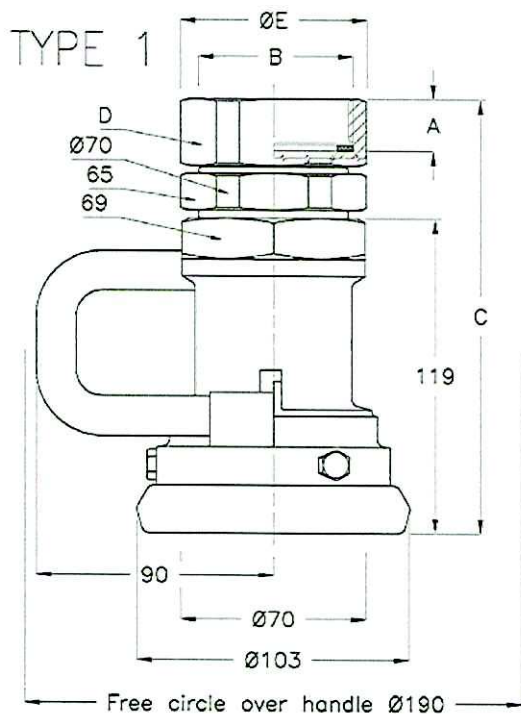
Max coupling pressure: 7 bar / 102 psi.

* NPT thread is a tapered pipe thread, tightening on the tread. Therefore there is no flat seal.

**Sealing material, see page 4

DN / Size	B (connection)	Material	Code No.	Weight	WP _{Bar / Psi}	TP _{Bar / Psi}	TYPE	A	C	D	E	F	G	H
19 / $\varnothing 56$	3/4" BSP (ISO 228-G 3/4)	Aluminium	7075-14**	0,6 kg / 1,3 lb	10 / 145	15 / 220	-	12	125	42	44	42	44	69
19 / $\varnothing 56$	3/4" BSP (ISO 228-G 3/4)	Brass	7075-24**	1,6 kg / 3,5 lb	10 / 145	15 / 220	-	12	125	42	44	42	44	69
19 / $\varnothing 56$	3/4" BSP (ISO 228-G 3/4)	Stainless steel	7075-44**	1,5 kg / 3,3 lb	25 / 365	37,5 / 545	-	12	125	42	44	42	44	63
-- / $\varnothing 56$	3/4" NPT (ANSI B2.1) *	Aluminium	7454-14**	0,6 kg / 1,3 lb	10 / 145	15 / 220	-	18	131	42	44	42	44	69
-- / $\varnothing 56$	3/4" NPT (ANSI B2.1) *	Brass	7454-24**	1,6 kg / 3,5 lb	10 / 145	15 / 220	-	18	131	42	44	42	44	69
-- / $\varnothing 56$	3/4" NPT (ANSI B2.1) *	Stainless steel	7454-44**	1,5 kg / 3,3 lb	25 / 365	37,5 / 545	-	18	131	42	44	42	44	63
25 / $\varnothing 56$	1" BSP (ISO 228-G 1)	Aluminium	7100-14**	0,6 kg / 1,3 lb	10 / 145	15 / 220	-	12	125	42	44	42	44	69
25 / $\varnothing 56$	1" BSP (ISO 228-G 1)	Brass	7100-24**	1,5 kg / 3,3 lb	10 / 145	15 / 220	-	12	125	42	44	42	44	69
25 / $\varnothing 56$	1" BSP (ISO 228-G 1)	Stainless steel	7100-44**	1,4 kg / 3,1 lb	25 / 365	37,5 / 545	-	12	125	42	44	42	44	63
-- / $\varnothing 56$	1" NPT (ANSI B2.1) *	Aluminium	7455-14**	0,6 kg / 1,3 lb	10 / 145	15 / 220	-	21	134	42	44	42	44	69
-- / $\varnothing 56$	1" NPT (ANSI B2.1) *	Brass	7455-24**	1,5 kg / 3,3 lb	10 / 145	15 / 220	-	21	134	42	44	42	44	69
-- / $\varnothing 56$	1" NPT (ANSI B2.1) *	Stainless steel	7455-44**	1,4 kg / 3,1 lb	25 / 365	37,5 / 545	-	21	134	42	44	42	44	63
32 / $\varnothing 56$	1 1/4" BSP (ISO 228-G 1 1/4)	Aluminium	7125-14**	0,6 kg / 1,3 lb	10 / 145	15 / 220	-	16	136	50	54	50	54	69
32 / $\varnothing 56$	1 1/4" BSP (ISO 228-G 1 1/4)	Brass	7125-24**	1,6 kg / 3,5 lb	10 / 145	15 / 220	-	16	136	50	54	50	54	69
32 / $\varnothing 56$	1 1/4" BSP (ISO 228-G 1 1/4)	Stainless steel	7125-44**	1,5 kg / 3,3 lb	25 / 365	37,5 / 545	-	16	136	50	54	50	54	63
-- / $\varnothing 56$	1 1/4" NPT (ANSI B2.1) *	Aluminium	7456-14**	0,6 kg / 1,3 lb	10 / 145	15 / 220	-	21	141	50	54	50	54	69
-- / $\varnothing 56$	1 1/4" NPT (ANSI B2.1) *	Brass	7456-24**	1,6 kg / 3,5 lb	10 / 145	15 / 220	-	21	141	50	54	50	54	69
-- / $\varnothing 56$	1 1/4" NPT (ANSI B2.1) *	Stainless steel	7456-44**	1,5 kg / 3,3 lb	25 / 365	37,5 / 545	-	21	141	50	54	50	54	63

TODO-MATIC Hose Units - couplings $\varnothing 70$



Max coupling pressure: 7 bar / 102 psi.

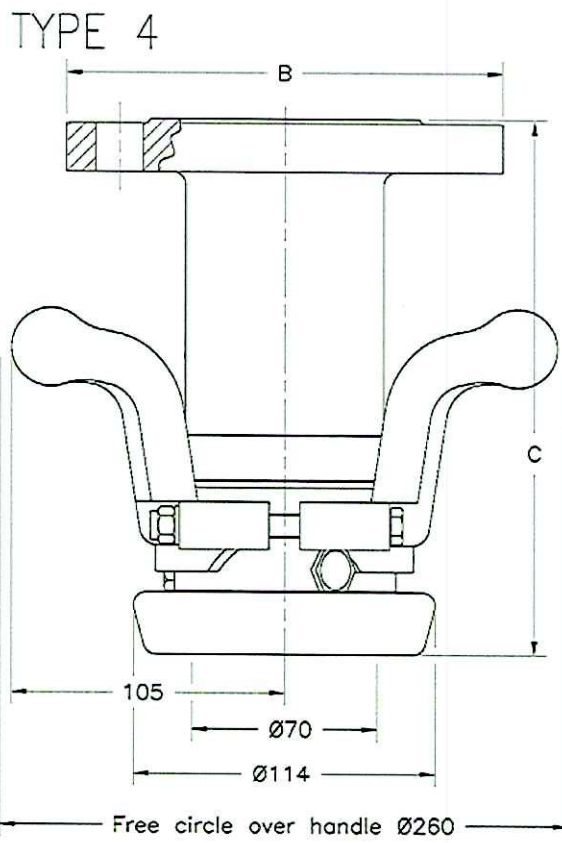
**Sealing material, see page 4

* NPT thread is a tapered pipe thread, tightening on the tread. Therefore there is no flat seal.

*** Is available with both short and long handles.

DN / Size	B (connection)	Material	Code No.	Weight	WP Bar / Psi	TP Bar / Psi	TYPE	A	C	D	E	F	G	H
40 / $\varnothing 70$	1 1/2" BSP (ISO 228-G 1 1/2)	Aluminium	5005A-14**	1,1 kg / 2,4 lb	10 / 145	15 / 220	1	18	159	60	67	-	-	-
40 / $\varnothing 70$	1 1/2" BSP (ISO 228-G 1 1/2)	Gunmetal	5005A-24**	2,6 kg / 5,7 lb	10 / 145	15 / 220	1	18	159	60	67	-	-	-
40 / $\varnothing 70$	1 1/2" BSP (ISO 228-G 1 1/2)	Stainless steel	9150G-44**	2,9 kg / 6,4 lb	25 / 365	37,5 / 545	2	18	159	60	67	-	-	-
- / $\varnothing 70$	1 1/2" NPT (ANSI B2.1) *	Aluminium	7468A-14**	1,1 kg / 2,4 lb	10 / 145	15 / 220	1	21	161	60	67	-	-	-
- / $\varnothing 70$	1 1/2" NPT (ANSI B2.1) *	Gunmetal	7468A-24**	2,6 kg / 5,7 lb	10 / 145	15 / 220	1	21	161	60	67	-	-	-
- / $\varnothing 70$	1 1/2" NPT (ANSI B2.1) *	Stainless steel	9151G-44**	2,9 kg / 6,4 lb	25 / 365	37,5 / 545	2	21	161	60	67	-	-	-
50 / $\varnothing 70$	2" BSP (ISO 228-G 2)	Aluminium	5006A-14**	1,2 kg / 2,6 lb	10 / 145	15 / 220	1	20	160	65	70	-	-	-
50 / $\varnothing 70$	2" BSP (ISO 228-G 2)	Gunmetal	5006A-24**	2,8 kg / 6,2 lb	10 / 145	15 / 220	1	20	160	65	70	-	-	-
50 / $\varnothing 70$	2" BSP (ISO 228-G 2)	Stainless steel	9200G-44**	2,9 kg / 6,4 lb	25 / 365	37,5 / 545	2	20	160	65	70	-	-	-
- / $\varnothing 70$	2" NPT (ANSI B2.1) *	Aluminium	7469A-14**	1,2 kg / 2,6 lb	10 / 145	15 / 220	1	21,5	162	65	70	-	-	-
- / $\varnothing 70$	2" NPT (ANSI B2.1) *	Gunmetal	7469A-24**	2,8 kg / 6,2 lb	10 / 145	15 / 220	1	21,5	162	65	70	-	-	-
- / $\varnothing 70$	2" NPT (ANSI B2.1) *	Stainless steel	9201G-44**	2,9 kg / 6,4 lb	25 / 365	37,5 / 545	2	21,5	162	65	70	-	-	-
50 / $\varnothing 70$	2" BSP (ISO 228-G 2)	Stainless steel	9209-44**	3,4 kg / 7,5 lb	25 / 365	37,5 / 545	3***	20	154	-	-	-	-	-
- / $\varnothing 70$	2" NPT (ANSI B2.1) *	Stainless steel	9205-44**	3,4 kg / 7,5 lb	25 / 365	37,5 / 545	3***	21,5	154	-	-	-	-	-

TODO-MATIC Hose Units - couplings ø 70

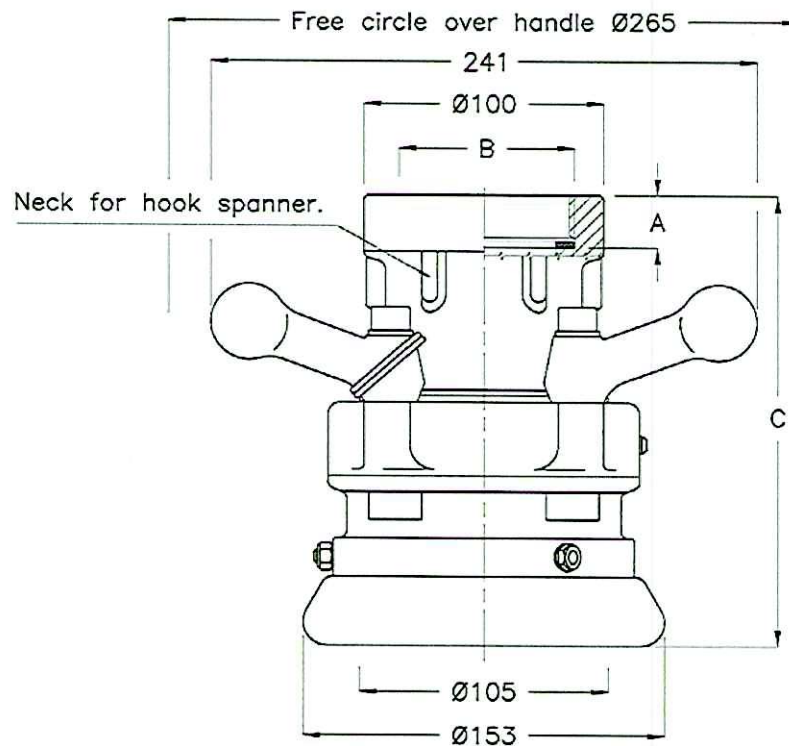


Max coupling pressure: 7 bar / 102 psi.

** Sealing material, see page 4

DN / Size	B (connection)	Material	Code No.	Weight	WP Bar / Psi	TP Bar / Psi	TYPE	A	C	D	E	F	G	H
50 / Ø70	EN 1092-1 PN 10/16 Type D	Stainless steel	9078-44**	7,0 kg / 15,4 lb	16 / 232	37,5 / 545	-	-	204	-	-	-	-	-
40 / Ø70	EN 1092-1 PN 10/16 - 25/40 Type B	Stainless steel	9167-44**	7,0 kg / 15,4 lb	25 / 365	37,5 / 545	-	-	204	-	-	-	-	-
50 / Ø70	EN 1092-1 PN 25/40 Type F	Stainless steel	9206-44**	7,0 kg / 15,4 lb	25 / 365	37,5 / 545	-	-	206	-	-	-	-	-
-- / Ø70	ANSI B16.5 2" ASA 300 PSI	Stainless steel	9207-44**	7,0 kg / 15,4 lb	25 / 365	37,5 / 545	-	-	206	-	-	-	-	-
-- / Ø70	ANSI B16.5 2" ASA 150 PSI	Stainless steel	9208-44**	7,0 kg / 15,4 lb	16 / 232	37,5 / 545	-	-	203	-	-	-	-	-
50 / Ø70	EN 1092-1 PN 10/16 Type B	Stainless steel	9216-44**	7,0 kg / 15,4 lb	16 / 232	37,5 / 545	-	-	202	-	-	-	-	-
50 / Ø70	EN 1092-1 PN 25/40 Type B	Stainless steel	9217-44**	7,0 kg / 15,4 lb	25 / 365	37,5 / 545	-	-	204	-	-	-	-	-
50 / Ø70	EN 1092-1 PN 25/40 Type C	Stainless steel	9077-44**	7,0 kg / 15,4 lb	25 / 365	37,5 / 545	-	-	204	-	-	-	-	-

TODO-MATIC Hose Units - couplings ø 105



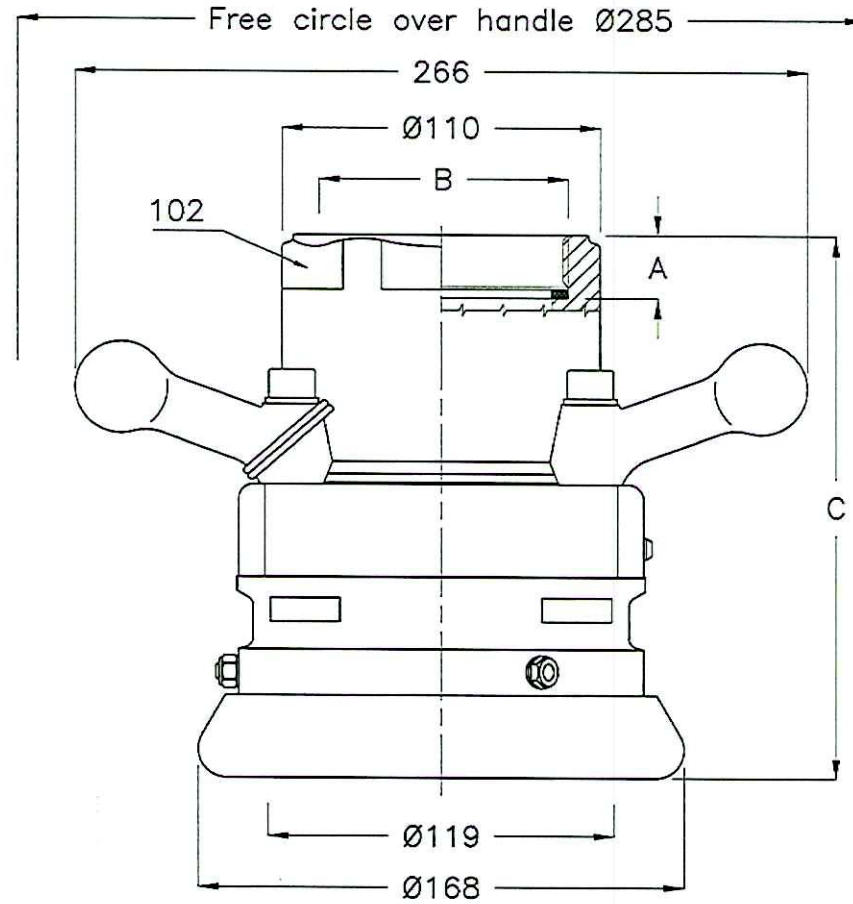
Max coupling pressure: 7 bar / 102 psi.

* NPT thread is a tapered pipe thread, tightening on the tread. Therefore there is no flat seal.

** Sealing material, see page 4

DN / Size	B (connection)	Material	Code No.	Weight	WP _{Bar / Psi}	TP _{Bar / Psi}	TYPE	A	C	D	E	F	G	H
65 / Ø105	2 1/2" BSP (ISO 228-G 2 1/2)	Aluminium	5332G-13**	4,3 kg / 9,5 lb	10 / 145	15 / 220	-	22	190	-	-	-	-	-
65 / Ø105	2 1/2" BSP (ISO 228-G 2 1/2)	Gunmetal	5332G-24**	8,8 kg / 19,4 lb	10 / 145	15 / 220	-	22	190	-	-	-	-	-
65 / Ø105	2 1/2" BSP (ISO 228-G 2 1/2)	Stainless steel	9250G-44**	7,4 kg / 16,3 lb	25 / 365	37,5 / 545	-	22	177	-	-	-	-	-
-- / Ø105	2 1/2" NPT (ANSI B2.1) *	Aluminium	7472G-13**	4,3 kg / 9,5 lb	10 / 145	15 / 220	-	30	216	-	-	-	-	-
-- / Ø105	2 1/2" NPT (ANSI B2.1) *	Gunmetal	7472G-24**	8,8 kg / 19,4 lb	10 / 145	15 / 220	-	30	216	-	-	-	-	-
-- / Ø105	2 1/2" NPT (ANSI B2.1) *	Stainless steel	9251G-44**	7,4 kg / 16,3 lb	25 / 365	37,5 / 545	-	30	208	-	-	-	-	-
80 / Ø105	3" BSP (ISO 228-G 3)	Aluminium	5432G-13**	4,2 kg / 9,3 lb	10 / 145	15 / 220	-	22	190	-	-	-	-	-
80 / Ø105	3" BSP (ISO 228-G 3)	Gunmetal	5432G-24**	8,5 kg / 18,7 lb	10 / 145	15 / 220	-	22	190	-	-	-	-	-
80 / Ø105	3" BSP (ISO 228-G 3)	Stainless steel	9260G-44**	7,4 kg / 16,3 lb	25 / 365	37,5 / 545	-	22	180	-	-	-	-	-
-- / Ø105	3" NPT (ANSI B 2.1) *	Aluminium	7473G-13**	4,2 kg / 9,3 lb	10 / 145	15 / 220	-	32	200	-	-	-	-	-
-- / Ø105	3" NPT (ANSI B 2.1) *	Gunmetal	7473G-24**	8,5 kg / 18,7 lb	10 / 145	15 / 220	-	32	200	-	-	-	-	-
-- / Ø105	3" NPT (ANSI B 2.1) *	Stainless steel	9261G-44**	7,4 kg / 16,3 lb	25 / 365	37,5 / 545	-	32	187	-	-	-	-	-

TODO-MATIC Hose Units - couplings \varnothing 119



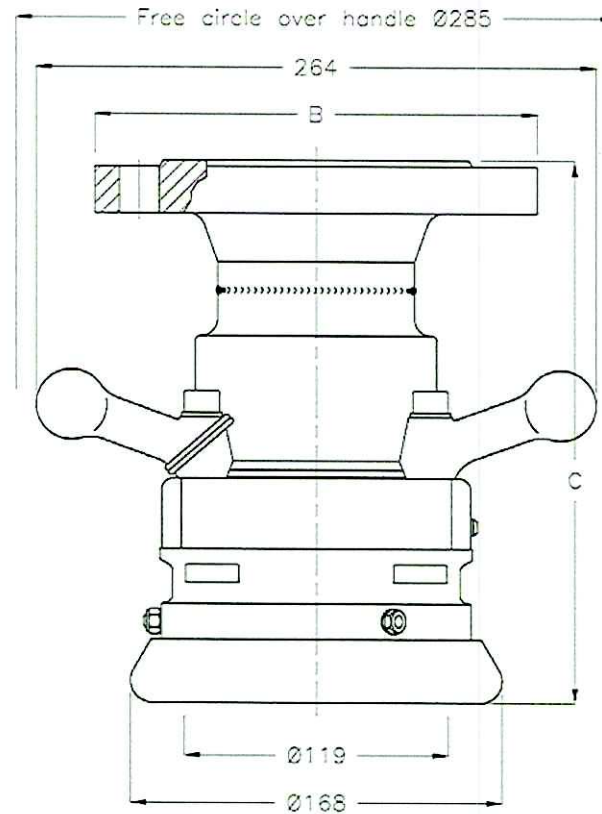
Max coupling pressure: 7 bar / 102 psi.

* NPT thread is a tapered pipe thread, tightening on the tread. Therefore there is no flat seal.

** Sealing material, see page 4

DN / Size	B (connection)	Material	Code No.	Weight	WP _{Bar / Psi}	TP _{Bar / Psi}	TYPE	A	C	D	E	F	G	H
80 / \varnothing 119	3" BSP (ISO 228-G 3)	Aluminium	5532F-13**	4,9 kg / 10,8 lb	10 / 145	15 / 220	-	22	190	-	-	-	-	-
80 / \varnothing 119	3" BSP (ISO 228-G 3)	Gunmetal	5532F-24**	10,2 kg / 22,5 lb	10 / 145	15 / 220	-	22	190	-	-	-	-	-
80 / \varnothing 119	3" BSP (ISO 228-G 3)	Stainless steel	9300F-44**	8,8 kg / 19,4 lb	25 / 365	37,5 / 545	-	22	190	-	-	-	-	-
- / \varnothing 119	3" NPT (ANSI B2.1) *	Aluminium	7475F-13**	4,9 kg / 10,8 lb	10 / 145	15 / 220	-	32	199	-	-	-	-	-
- / \varnothing 119	3" NPT (ANSI B2.1) *	Gunmetal	7475F-24**	10,2 kg / 22,5 lb	10 / 145	15 / 220	-	32	199	-	-	-	-	-
- / \varnothing 119	3" NPT (ANSI B2.1) *	Stainless steel	9301F-44**	8,8 kg / 19,4 lb	25 / 365	37,5 / 545	-	32	199	-	-	-	-	-

TODO-MATIC Hose Units - couplings ø 119

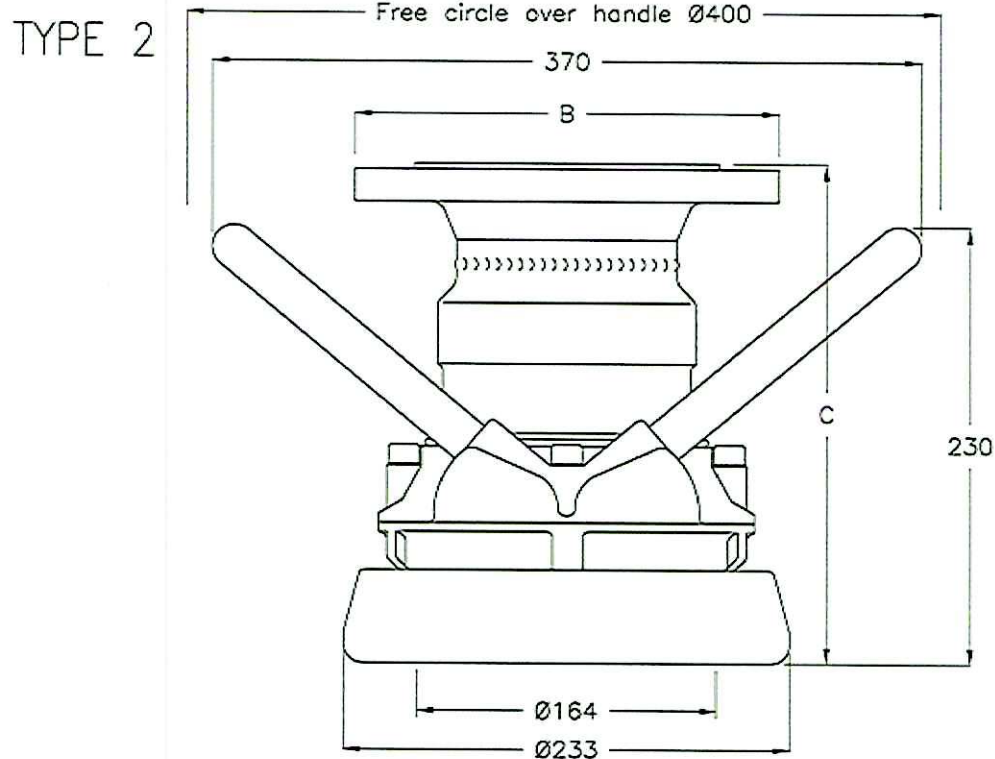
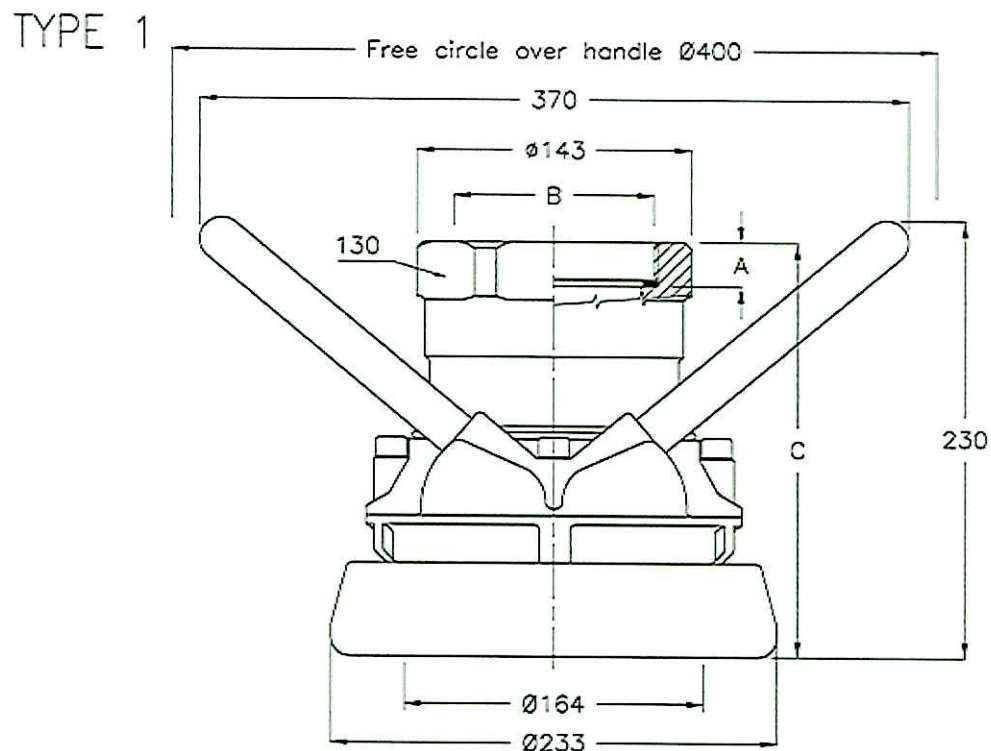


Max coupling pressure: 7 bar / 102 psi.

** Sealing material, see page 4

DN / Size	B (connection)	Material	Code No.	Weight	WP Bar / Psi	TP Bar / Psi	TYPE	A	C	D	E	F	G	H
80 / Ø119	EN 1092-1 PN 10/16 Type B	Stainless steel	9316F-44**	13,5 kg / 29,8 lb	16 / 232	37,5 / 545	-	-	239	-	-	-	-	-
80 / Ø119	EN 1092-1 PN 10/16 Type C	Stainless steel	9088F-44**	13,5 kg / 29,8 lb	16 / 232	37,5 / 545	-	-	260	-	-	-	-	-
80 / Ø119	EN 1092-1 PN 25/40 Type B	Stainless steel	9317F-44**	13,5 kg / 29,8 lb	25 / 365	37,5 / 545	-	-	247	-	-	-	-	-
80 / Ø119	EN 1092-1 PN 25/40 Type C	Stainless steel	9090F-44**	13,5 kg / 29,8 lb	25 / 365	37,5 / 545	-	-	247	-	-	-	-	-
80 / Ø119	EN 1092-1 PN 25/40 Type F	Stainless steel	9367F-44**	13,6 kg / 30,0 lb	25 / 365	37,5 / 545	-	-	247	-	-	-	-	-
-- / Ø119	ANSI B16.5 3" ASA 150 PSI	Stainless steel	9360F-44**	14,2 kg / 31,3 lb	16 / 232	37,5 / 545	-	-	259	-	-	-	-	-
-- / Ø119	ANSI B16.5 3" ASA 300 PSI	Stainless steel	9361F-44**	14,2 kg / 31,3 lb	25 / 365	37,5 / 545	-	-	259	-	-	-	-	-

TODO-MATIC Hose Units - couplings \varnothing 164



Max coupling pressure: 6 bar / 102 psi.

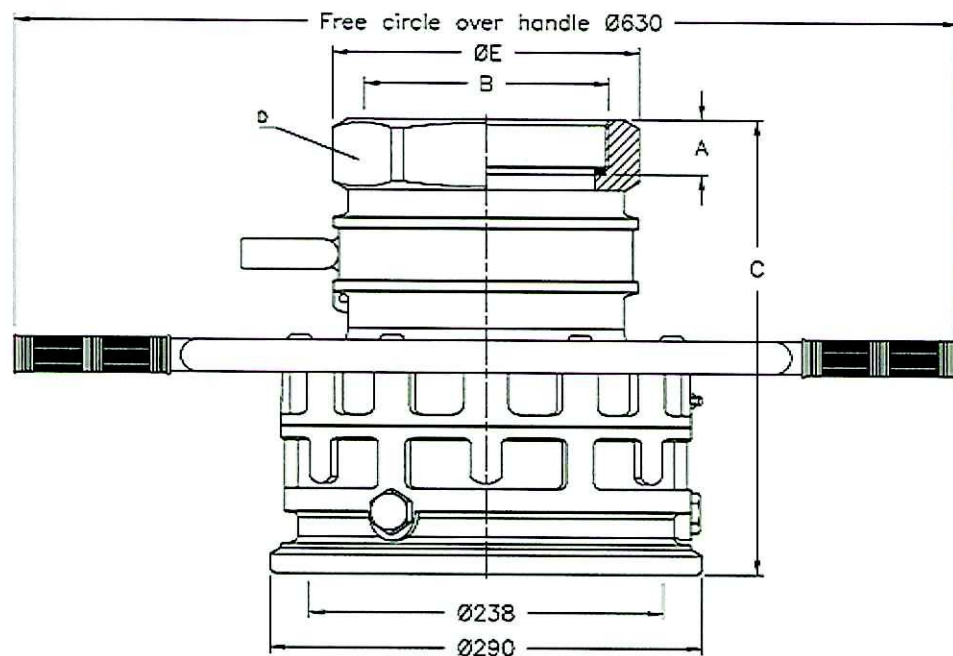
* NPT thread is a tapered pipe thread, tightening on the tread. Therefore there is no flat seal.

** Sealing material, see page 4

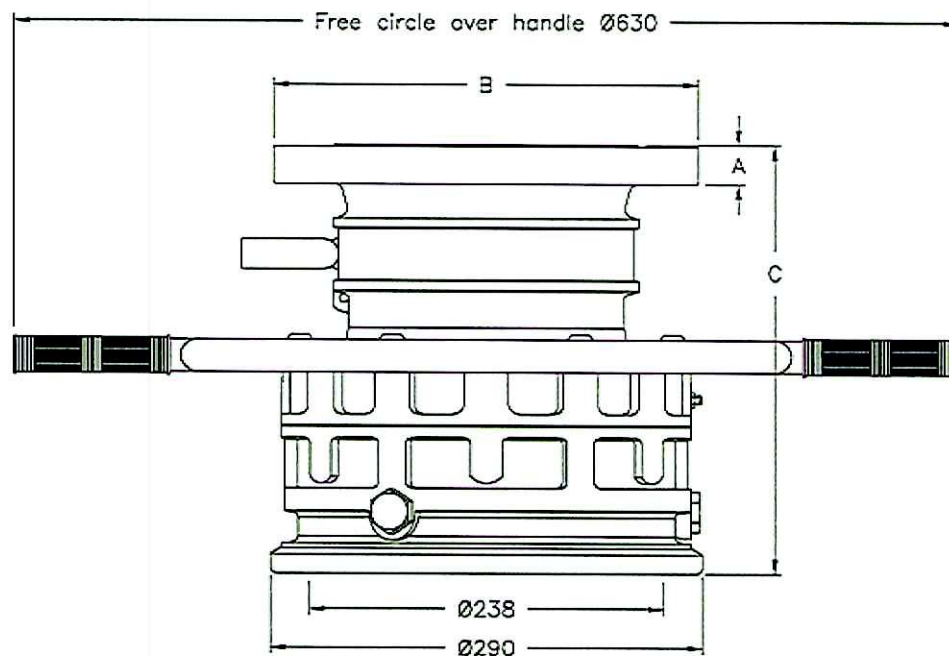
DN / Size	B (connection)	Material	Code No.	Weight	WP Bar / Psi	TP Bar / Psi	TYPE	A	C	D	E	F	G	H
100 / \varnothing 164	4" BSP (ISO 228-G 4)	Aluminium	5632G-13**	9,5 kg / 20,9 lb	10 / 145	15 / 220	1	24	220	-	-	-	-	-
100 / \varnothing 164	4" BSP (ISO 228-G 4)	Gunmetal	5632G-24**	20,6 kg / 45,4 lb	10 / 145	15 / 220	1	24	220	-	-	-	-	-
100 / \varnothing 164	4" BSP (ISO 228-G 4)	Stainless steel	9400-44**	17,6 kg / 38,8 lb	25 / 365	37,5 / 545	1	24	220	-	-	-	-	-
-- / \varnothing 164	4" NPT(ANSI B2.1) *	Aluminium	7477G-13**	9,5 kg / 20,9 lb	10 / 145	15 / 220	1	34	230	-	-	-	-	-
-- / \varnothing 164	4" NPT(ANSI B2.1) *	Gunmetal	7477G-24**	20,6 kg / 45,4 lb	10 / 145	15 / 220	1	34	230	-	-	-	-	-
-- / \varnothing 164	4" NPT(ANSI B2.1) *	Stainless steel	9401-44**	17,6 kg / 38,8 lb	25 / 365	37,5 / 545	1	34	230	-	-	-	-	-
100 / \varnothing 164	EN 1092-1 PN 10/16 Type B	Stainless steel	9416-44**	20,0 kg / 44,1 lb	16 / 232	37,5 / 545	2	-	261	-	-	-	-	-

TODO-MATIC Hose Units - couplings \varnothing 238

TYPE 1



TYPE 2



Max coupling pressure: 7 bar / 102 psi.

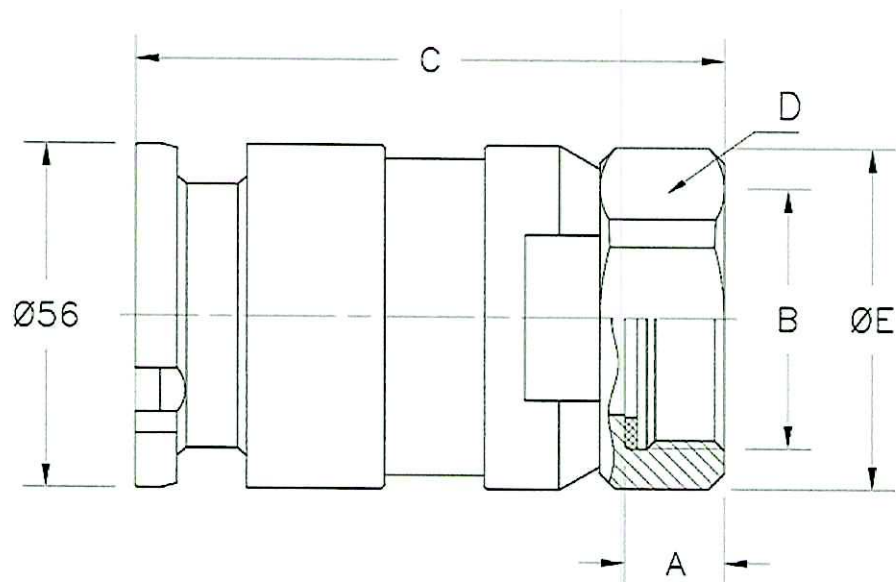
***Drilled according to Standard only

* NPT thread is a tapered pipe thread, tightening on the tread. Therefore there is no flat seal.

** Sealing material, see page 4

DN / Size	B (connection)	Material	Code No.	Weight	WP Bar / Psi	TP Bar / Psi	TYPE	A	C	D	E	F	G	H
150 / \varnothing 238	6" BSP (ISO 228-G 6)	Aluminium	7200-14**	24,6 kg / 54,2 lb	10 / 145	15 / 220	1	35	308	190	205	-	-	-
150 / \varnothing 238	6" BSP (ISO 228-G 6)	Gunmetal	7200-24**	52,0 kg / 114,6 lb	10 / 145	15 / 220	1	35	308	190	205	-	-	-
150 / \varnothing 238	6" BSP (ISO 228-G 6)	Stainless steel	7200E-44**	48,2 kg / 106,3 lb	10 / 145	15 / 220	1	35	308	190	205	-	-	-
-- / \varnothing 238	6" NPT (ANSI B2.1)	Aluminium	7201-14**	25,0 kg / 55,1 lb	10 / 145	15 / 220	1	37	308	190	205	-	-	-
-- / \varnothing 238	6" NPT (ANSI B2.1) *	Gunmetal	7201-24**	52,0 kg / 114,6 lb	10 / 145	15 / 220	1	37	308	190	205	-	-	-
-- / \varnothing 238	6" NPT (ANSI B2.1) *	Stainless steel	7201E-44**	48,2 kg / 106,3 lb	10 / 145	15 / 220	1	37	308	190	205	-	-	-
150 / \varnothing 238	EN 1092-1*** PN 10/16 Type B	Aluminium	7202-14**	25,0 kg / 55,1 lb	10 / 145	15 / 220	2	24	280	-	-	-	-	-

TODO-MATIC Tank Units - couplings $\varnothing 56$



Max coupling pressure: 7 bar / 102 psi.

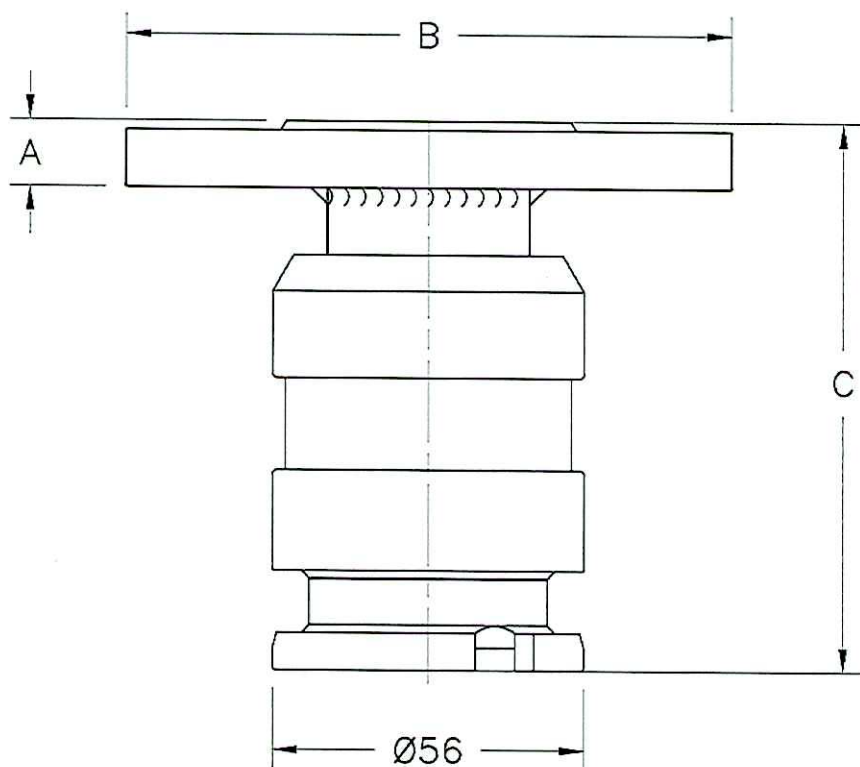
* NPT thread is a tapered pipe thread, tightening on the tread. Therefore there is no flat seal.

**Sealing material, see page 4

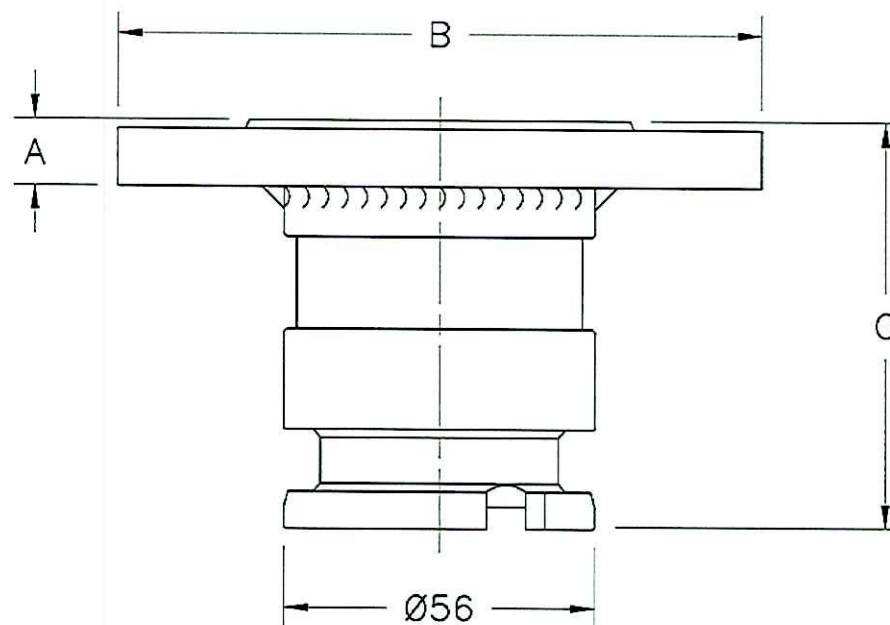
DN / Size	B (connection)	Material	Code No.	Weight	WP Bar / Psi	TP Bar / Psi	TYPE	A	C	D	E	F	G	H
19 / $\varnothing 56$	3/4" BSP (ISO 228-G 3/4)	Aluminium	5823A-11**	0,3 kg / 0,7 lb	10 / 145	15 / 220	-	12	86,5	42	47	-	-	-
19 / $\varnothing 56$	3/4" BSP (ISO 228-G 3/4)	Brass	5823A-22**	0,9 kg / 2,0 lb	10 / 145	15 / 220	-	12	86,5	42	47	-	-	-
19 / $\varnothing 56$	3/4" BSP (ISO 228-G 3/4)	Stainless steel	5823A-44**	0,8 kg / 1,8 lb	25 / 365	37,5 / 545	-	12	86,5	42	47	-	-	-
19 / $\varnothing 56$	3/4" NPT (ANSI B2.1) *	Aluminium	7450A-11**	0,3 kg / 0,7 lb	10 / 145	15 / 220	-	18	92	42	47	-	-	-
19 / $\varnothing 56$	3/4" NPT (ANSI B2.1) *	Brass	7450A-22**	0,9 kg / 2,0 lb	10 / 145	15 / 220	-	18	92	42	47	-	-	-
19 / $\varnothing 56$	3/4" NPT (ANSI B2.1) *	Stainless steel	7450A-44**	0,8 kg / 1,8 lb	25 / 365	37,5 / 545	-	18	92	42	47	-	-	-
25 / $\varnothing 56$	1" BSP (ISO 228-G 1)	Aluminium	4942A-11**	0,2 kg / 0,4 lb	10 / 145	15 / 220	-	12	82,5	42	45	-	-	-
25 / $\varnothing 56$	1" BSP (ISO 228-G 1)	Brass	4942A-22**	0,7 kg / 1,5 lb	10 / 145	15 / 220	-	12	82,5	42	45	-	-	-
25 / $\varnothing 56$	1" BSP (ISO 228-G 1)	Stainless steel	4942A-44**	0,6 kg / 1,3 lb	25 / 365	37,5 / 545	-	12	82,5	42	45	-	-	-
25 / $\varnothing 56$	1" NPT (ANSI B2.1) *	Aluminium	7451A-11**	0,2 kg / 0,4 lb	10 / 145	15 / 220	-	21	91	42	45	-	-	-
25 / $\varnothing 56$	1" NPT (ANSI B2.1) *	Brass	7451A-22**	0,7 kg / 1,5 lb	10 / 145	15 / 220	-	21	91	42	45	-	-	-
25 / $\varnothing 56$	1" NPT (ANSI B2.1) *	Stainless steel	7451A-44**	0,6 kg / 1,3 lb	25 / 365	37,5 / 545	-	21	91	42	45	-	-	-
32 / $\varnothing 56$	1 1/4" BSP (ISO 228-G 1 1/4)	Aluminium	4992A-11**	0,2 kg / 0,4 lb	10 / 145	15 / 220	-	16	94,5	50	55	-	-	-
32 / $\varnothing 56$	1 1/4" BSP (ISO 228-G 1 1/4)	Brass	4992A-22**	0,6 kg / 1,3 lb	10 / 145	15 / 220	-	16	94,5	50	55	-	-	-
32 / $\varnothing 56$	1 1/4" BSP (ISO 228-G 1 1/4)	Stainless steel	4992A-44**	0,5 kg / 1,1 lb	25 / 365	37,5 / 545	-	16	94,5	50	55	-	-	-
32 / $\varnothing 56$	1 1/4" NPT (ANSI B2.1) *	Aluminium	7452A-11**	0,2 kg / 0,4 lb	10 / 145	15 / 220	-	21	99,5	50	55	-	-	-
32 / $\varnothing 56$	1 1/4" NPT (ANSI B2.1) *	Brass	7452A-22**	0,6 kg / 1,3 lb	10 / 145	15 / 220	-	21	99,5	50	55	-	-	-
32 / $\varnothing 56$	1 1/4" NPT (ANSI B2.1) *	Stainless steel	7452A-44**	0,5 kg / 1,1 lb	25 / 365	37,5 / 545	-	21	99,5	50	55	-	-	-

TODO-MATIC Tank Units - couplings $\varnothing 56$

TYPE 1



TYPE 2

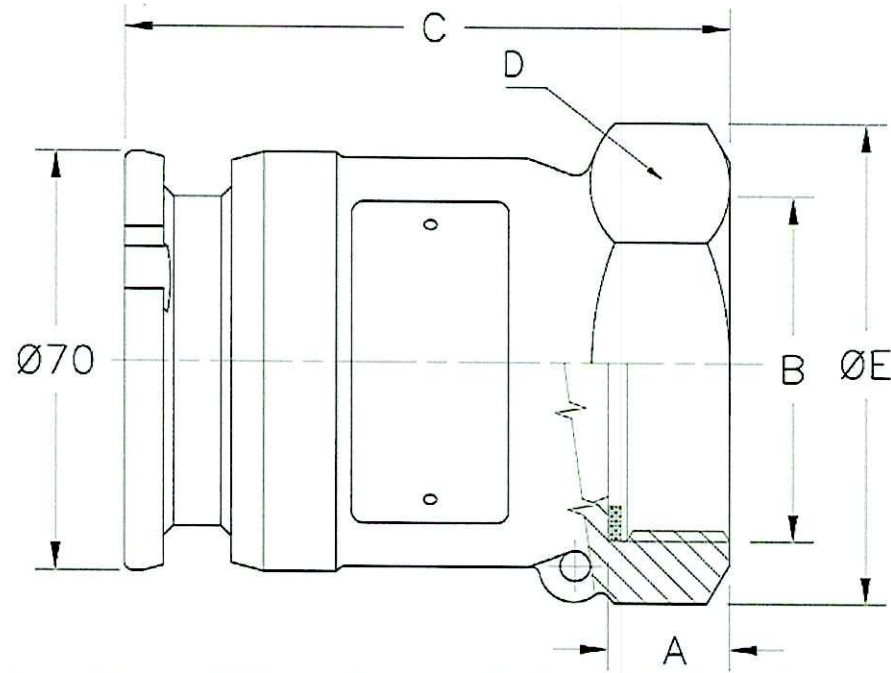


Max coupling pressure: 7 bar / 102 psi.

**Sealing material, see page 4

DN / Size	B (connection)	Material	Code No.	Weight	WP _{Bar / Psi}	TP _{Bar / Psi}	TYPE	A	C	D	E	F	G	H
20 / $\varnothing 56$	EN 1092-1 PN 10/16 - 25/40 Type B	Stainless steel	4867A-44**	1,4 kg / 3,1 lb	25 / 365	37,5 / 545	1	16	103	-	-	-	-	-
25 / $\varnothing 56$	EN 1092-1 PN 10/16 - 25/40 Type B	Stainless steel	4868A-44**	1,4 kg / 3,1 lb	25 / 365	37,5 / 545	2	12	73,5	-	-	-	-	-
40 / $\varnothing 56$	EN 1092-1 PN 10/16 - 25/40 Type B	Stainless steel	4870A-44**	2,0 kg / 4,4 lb	25 / 365	37,5 / 545	2	12	73,5	-	-	-	-	-
50 / $\varnothing 56$	EN 1092-1 PN 10/16 Type B	Stainless steel	4879A-44**	2,9 kg / 6,4 lb	16 / 232	37,5 / 545	2	12	73,5	-	-	-	-	-
25 / $\varnothing 56$	EN 1092-1 PN 10/16 - 25/40 Type C	Stainless steel	4897A-44**	1,4 kg / 3,1 lb	25 / 365	37,5 / 545	2	18	79,5	-	-	-	-	-
50 / $\varnothing 56$	EN 1092-1 PN 25/40 Type E	Stainless steel	7601A-44**	2,6 kg / 5,7 lb	25 / 365	37,5 / 545	2	20	81,5	-	-	-	-	-
- / $\varnothing 56$	ANSI B16.5 3/4" ASA 150 PSI	Stainless steel	4863A-44**	1,2 kg / 2,6 lb	16 / 232	37,5 / 545	1	12	98,5	-	-	-	-	-
- / $\varnothing 56$	ANSI B16.5 1" ASA 150 PSI	Stainless steel	4864A-44**	1,4 kg / 3,1 lb	16 / 232	37,5 / 545	1	12	98,5	-	-	-	-	-
- / $\varnothing 56$	ANSI B16.5 1 1/2" ASA 150 PSI	Stainless steel	4866A-44**	1,4 kg / 3,1 lb	16 / 232	37,5 / 545	2	12	73,5	-	-	-	-	-
- / $\varnothing 56$	ANSI B16.5 1" ASA 300 PSI	Stainless steel	4859A-44**	1,5 kg / 3,3 lb	25 / 365	37,5 / 545	2	17,5	79	-	-	-	-	-

TODO-MATIC Tank Units - couplings $\varnothing 70$



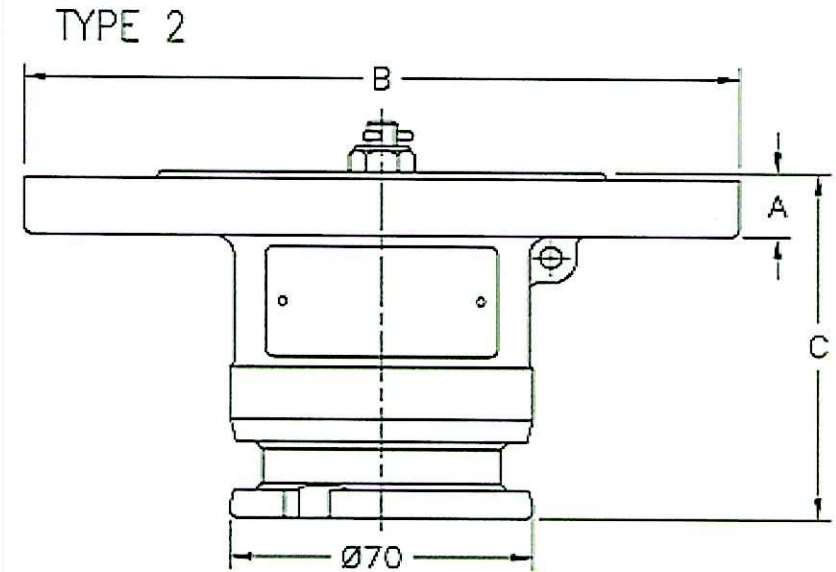
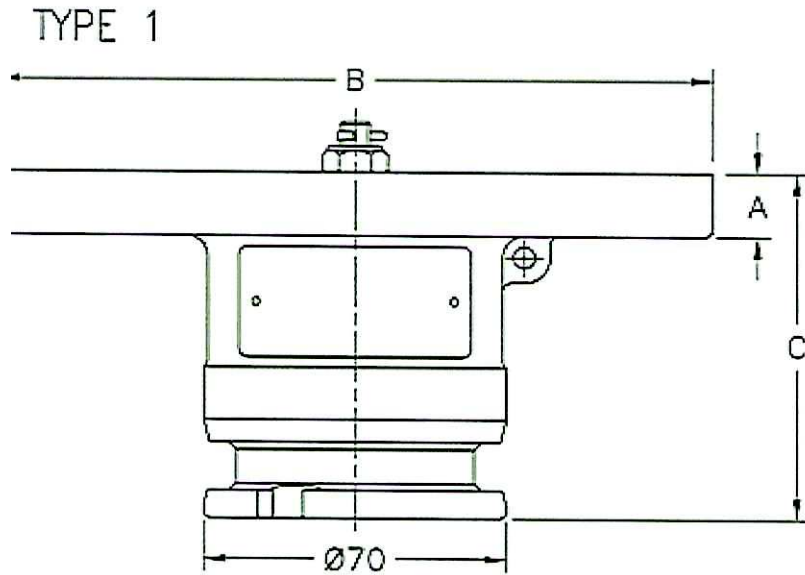
Max coupling pressure: 7 bar / 102 psi.

* NPT thread is a tapered pipe thread, tightening on the tread. Therefore there is no flat seal.

**Sealing material, see page 4

DN / Size	B (connection)	Material	Code No.	Weight	WP _{Bar / Psi}	TP _{Bar / Psi}	TYPE	A	C	D	E	F	G	H
40 / $\varnothing 70$	1 1/2" BSP (ISO 228-G 1 1/2")	Aluminium	5001-11**	0,4 kg / 0,9 lb	10 / 145	15 / 220	-	18	105	57	65	-	-	-
40 / $\varnothing 70$	1 1/2" BSP (ISO 228-G 1 1/2")	Gunmetal	5001-22**	1,2 kg / 2,6 lb	10 / 145	15 / 220	-	18	105	57	65	-	-	-
40 / $\varnothing 70$	1 1/2" BSP (ISO 228-G 1 1/2")	Stainless steel	5001A-44**	1,0 kg / 2,2 lb	25 / 365	37,5 / 545	-	18	108	69	79	-	-	-
- / $\varnothing 70$	1 1/2" NPT (ANSI B2.1) *	Aluminium	7466-11**	0,5 kg / 1,1 lb	10 / 145	15 / 220	-	21	107	57	65	-	-	-
- / $\varnothing 70$	1 1/2" NPT (ANSI B2.1) *	Gunmetal	7466-22**	1,2 kg / 2,6 lb	10 / 145	15 / 220	-	21	107	57	65	-	-	-
- / $\varnothing 70$	1 1/2" NPT (ANSI B2.1) *	Stainless steel	7466A-44**	1,0 kg / 2,2 lb	25 / 365	37,5 / 545	-	21	110	69	79	-	-	-
50 / $\varnothing 70$	2" BSP (ISO 228-G 2)	Aluminium	5002-11**	0,5 kg / 1,1 lb	10 / 145	15 / 220	-	19	100	69	79	-	-	-
50 / $\varnothing 70$	2" BSP (ISO 228-G 2)	Gunmetal	5002-22**	1,3 kg / 2,9 lb	10 / 145	15 / 220	-	19	100	69	79	-	-	-
50 / $\varnothing 70$	2" BSP (ISO 228-G 2)	Stainless steel	5002A-44**	1,1 kg / 2,4 lb	25 / 365	37,5 / 545	-	19	100	69	79	-	-	-
- / $\varnothing 70$	2" NPT (ANSI B2.1) *	Aluminium	7467-11**	0,5 kg / 1,1 lb	10 / 145	15 / 220	-	21,5	102	69	79	-	-	-
- / $\varnothing 70$	2" NPT (ANSI B2.1) *	Gunmetal	7467-22**	1,3 kg / 2,9 lb	10 / 145	15 / 220	-	21,5	102	69	79	-	-	-
- / $\varnothing 70$	2" NPT (ANSI B2.1) *	Stainless steel	7467A-44**	1,1 kg / 2,4 lb	25 / 365	37,5 / 545	-	21,5	103	69	79	-	-	-
50 / $\varnothing 70$	S60 x 6	Aluminium	7095-11**	1,7 kg / 3,7 lb	10 / 145	15 / 220	-	19	103	70	75	-	-	-
50 / $\varnothing 70$	S60 x 6	Stainless steel	7095-44**	3,7 kg / 8,2 lb	25 / 365	37,5 / 545	-	19	103	70	75	-	-	-
50 / $\varnothing 70$	W2" - 7 Female Threads	Aluminium	8298-11**	0,5 kg / 1,1 lb	10 / 145	15 / 220	-	19	100	68	80	-	-	-
50 / $\varnothing 70$	W2" - 7 Female Threads	Gunmetal	8298-22**	1,4 kg / 3,1 lb	10 / 145	15 / 220	-	19	100	68	80	-	-	-

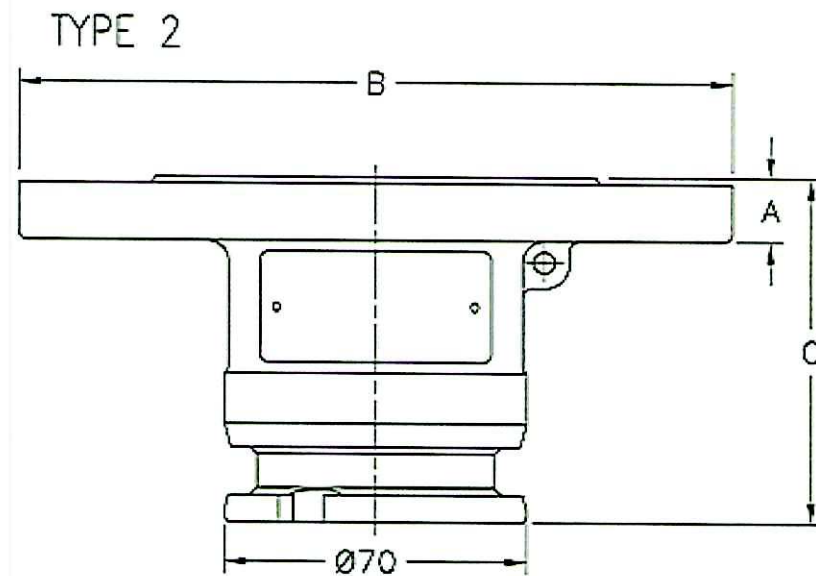
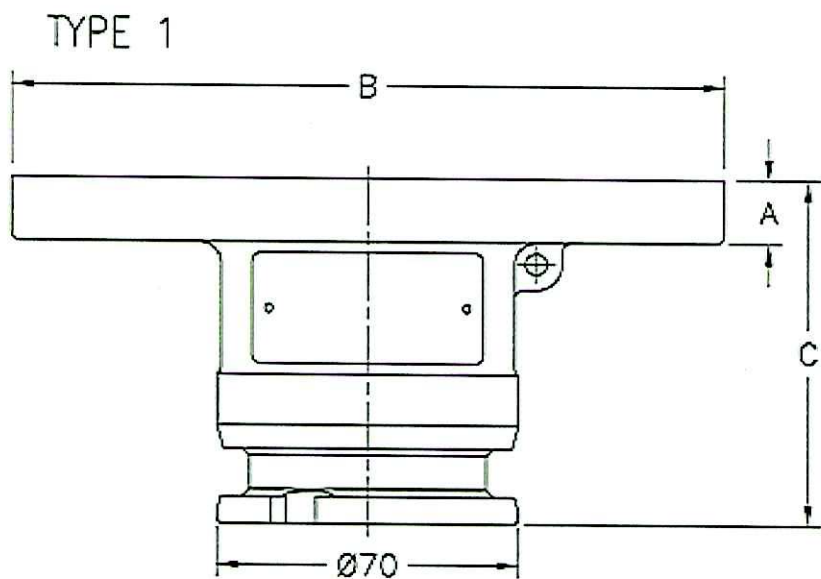
TODO-MATIC Tank Units - couplings $\varnothing 70$



Max coupling pressure: 7 bar / 102 psi. *Drilled according to Standard only
 **Sealing material, see page 4

DN / Size	B (connection)	Material	Code No.	Weight	WP _{Bar / Psi}	TP _{Bar / Psi}	TYPE	A	C	D	E	F	G	H
-- / $\varnothing 70$	Undrilled $\varnothing 165$	Aluminium	5000-11**	1,1 kg / 2,4 lb	10 / 145	15 / 220	1	15	81	-	-	-	-	-
-- / $\varnothing 70$	Undrilled $\varnothing 165$	Gunmetal	5000-22**	3,4 kg / 7,5 lb	10 / 145	15 / 220	1	15	81	-	-	-	-	-
40 / $\varnothing 70$	ANSI B16.5 1½" ASA 150 PSI	Aluminium	5025-11**	0,7 kg / 1,5 lb	10 / 145	15 / 220	2	15	81	-	-	-	-	-
40 / $\varnothing 70$	ANSI B16.5 1½" ASA 150 PSI	Gunmetal	5025-22**	2,0 kg / 4,4 lb	10 / 145	15 / 220	2	15	81	-	-	-	-	-
80 / $\varnothing 70$	TW1 (DIN 28459)	Aluminium	5108-11**	0,8 kg / 1,8 lb	10 / 145	15 / 220	1	15	81	-	-	-	-	-
80 / $\varnothing 70$	TW1 (DIN 28459)	Gunmetal	5108-22**	2,2 kg / 4,9 lb	10 / 145	15 / 220	1	15	81	-	-	-	-	-
-- / $\varnothing 70$	ANSI B16.5 2" ASA 150 PSI	Aluminium	5109-11**	0,9 kg / 2,0 lb	10 / 145	15 / 220	2	15	81	-	-	-	-	-
-- / $\varnothing 70$	ANSI B16.5 2" ASA 150 PSI	Gunmetal	5109-22**	2,8 kg / 6,2 lb	10 / 145	15 / 220	2	15	81	-	-	-	-	-
40 / $\varnothing 70$	EN 1092-1* PN 10/16 Type B	Aluminium	5113-11**	0,9 kg / 2,0 lb	10 / 145	15 / 220	2	15	81	-	-	-	-	-
40 / $\varnothing 70$	EN 1092-1* PN 10/16 Type B	Gunmetal	5113-22**	2,8 kg / 6,2 lb	10 / 145	15 / 220	2	15	81	-	-	-	-	-
50 / $\varnothing 70$	EN 1092-1* PN 10/16 Type B	Aluminium	5114-11**	1,0 kg / 2,2 lb	10 / 145	15 / 220	2	15	81	-	-	-	-	-
50 / $\varnothing 70$	EN 1092-1* PN 10/16 Type B	Gunmetal	5114-22**	3,1 kg / 6,8 lb	10 / 145	15 / 220	2	15	81	-	-	-	-	-

TODO-MATIC Tank Units - couplings $\varnothing 70$

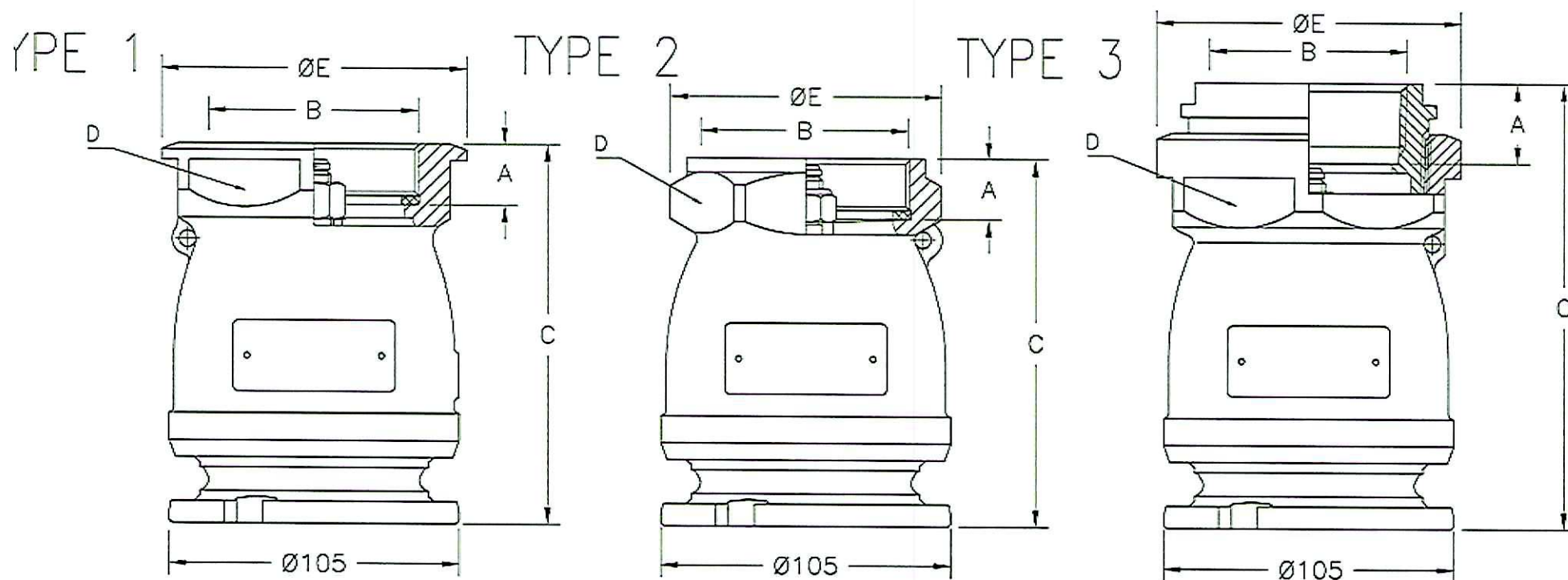


Max coupling pressure: 7 bar / 102 psi.

**Sealing material, see page 4

DN / Size	B (connection)	Material	Code No.	Weight	WP _{Bar / Psi}	TP _{Bar / Psi}	TYPE	A	C	D	E	F	G	H
-- / $\varnothing 70$	Undrilled $\varnothing 165$	Stainless steel	5000A-44**	4,1 kg / 9,0 lb	25 / 365	37,5 / 545	1	20	86	-	-	-	-	-
-- / $\varnothing 70$	ANSI B16.5 1 1/2" ASA 150 PSI	Stainless steel	5025A-44**	2,8 kg / 6,2 lb	16 / 232	37,5 / 545	2	20	86	-	-	-	-	-
80 / $\varnothing 70$	TW1 (DIN 28459)	Stainless steel	5108A-44**	3,5 kg / 7,7 lb	10 / 145	37,5 / 545	1	20	86	-	-	-	-	-
-- / $\varnothing 70$	ANSI B16.5 2" ASA 150 PSI	Stainless steel	5109A-44**	3,5 kg / 7,7 lb	16 / 232	37,5 / 545	2	20	86	-	-	-	-	-
40 / $\varnothing 70$	EN 1092-1 PN 10/16 - 25/40 Type B	Stainless steel	5113A-44**	3,5 kg / 7,7 lb	25 / 365	37,5 / 545	2	20	86	-	-	-	-	-
50 / $\varnothing 70$	EN 1092-1 PN 10/16 Type B	Stainless steel	5114A-44**	4,0 kg / 8,8 lb	16 / 232	37,5 / 545	2	20	86	-	-	-	-	-
-- / $\varnothing 70$	ANSI B16.5 2" ASA 300 PSI	Stainless steel	7109A-44**	3,9 kg / 8,6 lb	25 / 365	37,5 / 545	2	20	86	-	-	-	-	-
-- / $\varnothing 70$	ANSI B16.5 1 1/2" ASA 300 PSI	Stainless steel	5300A-44**	3,5 kg / 7,7 lb	25 / 365	37,5 / 545	2	20	86	-	-	-	-	-
50 / $\varnothing 70$	EN 1092-1 PN 25/40 Type F	Stainless steel	7500A-44**	3,5 kg / 7,7 lb	25 / 365	37,5 / 545	2	20	86	-	-	-	-	-
50 / $\varnothing 70$	EN 1092-1 PN 25/40 Type E	Stainless steel	7501A-44**	3,5 kg / 7,7 lb	25 / 365	37,5 / 545	2	20	86	-	-	-	-	-
50 / $\varnothing 70$	EN 1092-1 PN 25/40 Type B	Stainless steel	7502A-44**	3,5 kg / 7,7 lb	25 / 365	37,5 / 545	2	20	86	-	-	-	-	-

TODO-MATIC Tank Units - couplings \varnothing 105

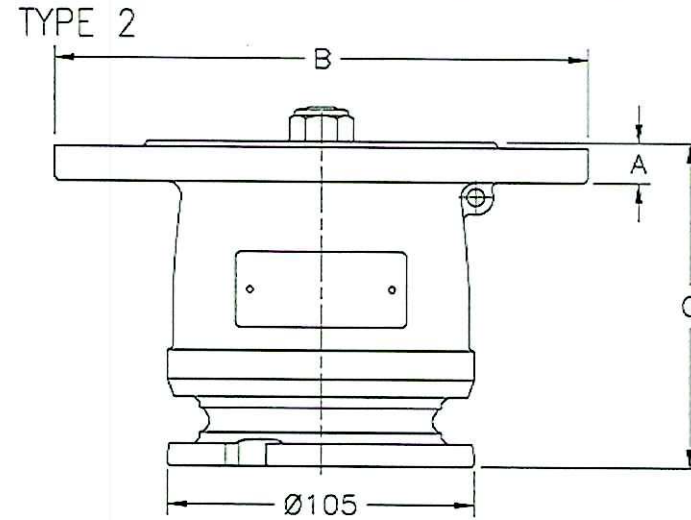
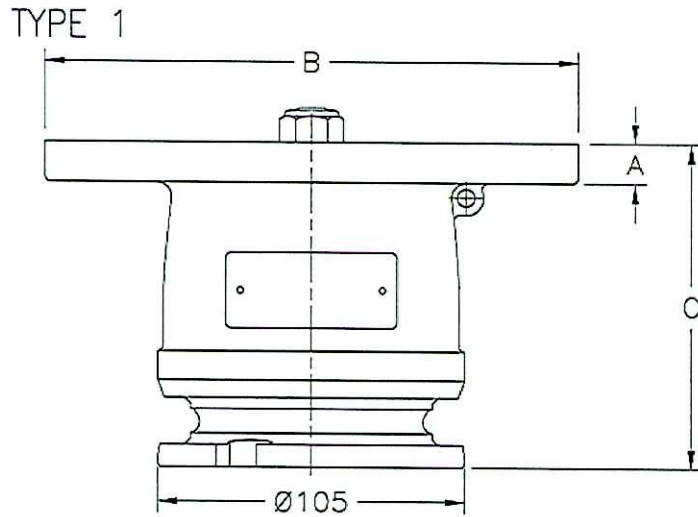


Coupling pressure: 7 bar / 102 psi.
 Coupling material, see page 4

* NPT thread is a tapered pipe thread, tightening on the tread. Therefore there is no flat seal.

DN / Size	B (connection)	Material	Code No.	Weight	WP Bar / Psi	TP Bar / Psi	TYPE	A	C	D	E	F	G	H
65 / \varnothing 105	2 1/2" BSP (ISO 228-G 2 1/2)	Aluminium	5331C-11**	1,0 kg / 2,2 lb	10 / 145	15 / 220	2	22	134	86	98	-	-	-
65 / \varnothing 105	2 1/2" BSP (ISO 228-G 2 1/2)	Gunmetal	5331C-22**	3,0 kg / 6,6 lb	10 / 145	15 / 220	2	22	134	86	98	-	-	-
65 / \varnothing 105	2 1/2" BSP (ISO 228-G 2 1/2)	Stainless steel	5331X-44**	2,9 kg / 6,4 lb	25 / 365	37,5 / 545	1	22,5	138	98	110	-	-	-
-- / \varnothing 105	2 1/2" NPT (ANSI B2.1) *	Aluminium	7470C-11**	1,6 kg / 3,5 lb	10 / 145	15 / 220	3	29	162	98	110	-	-	-
-- / \varnothing 105	2 1/2" NPT (ANSI B2.1) *	Gunmetal	7470C-22**	3,4 kg / 7,5 lb	10 / 145	15 / 220	3	29	162	98	110	-	-	-
-- / \varnothing 105	2 1/2" NPT (ANSI B2.1) *	Stainless steel	7470X-44**	3,0 kg / 6,6 lb	25 / 365	37,5 / 545	3	29	162	98	110	-	-	-
80 / \varnothing 105	3" BSP (ISO 228-G 3)	Aluminium	5431C-11**	0,9 kg / 2,0 lb	10 / 145	15 / 220	1	22	134	98	110	-	-	-
80 / \varnothing 105	3" BSP (ISO 228-G 3)	Gunmetal	5431C-22**	2,9 kg / 6,4 lb	10 / 145	15 / 220	1	22	134	98	110	-	-	-
80 / \varnothing 105	3" BSP (ISO 228-G 3)	Stainless steel	5431X-44**	2,7 kg / 6,0 lb	25 / 365	37,5 / 545	1	22	134	98	110	-	-	-
-- / \varnothing 105	3" NPT (ANSI B2.1) *	Aluminium	7471C-11**	0,9 kg / 2,0 lb	10 / 145	15 / 220	1	32	144	98	110	-	-	-
-- / \varnothing 105	3" NPT (ANSI B2.1) *	Gunmetal	7471C-22**	2,8 kg / 6,2 lb	10 / 145	15 / 220	1	32	144	98	110	-	-	-
-- / \varnothing 105	3" NPT (ANSI B2.1) *	Stainless steel	7471X-44**	2,5 kg / 5,5 lb	25 / 365	37,5 / 545	1	32	144	98	110	-	-	-

TODO-MATIC Tank Units - couplings ø 105

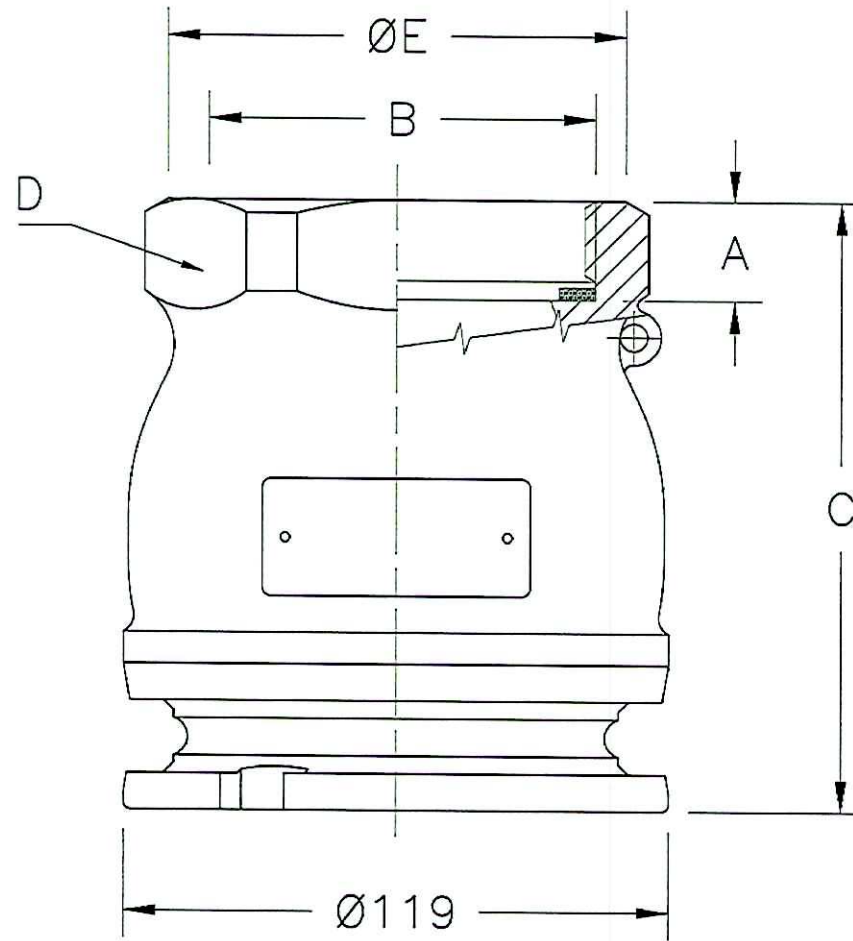


ix coupling pressure: 7 bar / 102 psi. *Drilled according to Standard only

**Sealing material, see page 4

DN / Size	B (connection)	Material	Code No.	Weight	WP _{Bar / Psi}	TP _{Bar / Psi}	TYPE	A	C	D	E	F	G	H
-- / ø105	Undrilled ø182	Aluminium	5400C-11**	1,6 kg / 3,5 lb	10 / 145	15 / 220	1	14	112	-	-	-	-	-
-- / ø105	Undrilled ø182	Gunmetal	5400C-22**	4,8 kg / 10,6 lb	10 / 145	15 / 220	1	14	112	-	-	-	-	-
-- / ø105	Undrilled ø182	Stainless steel	5400C-44**	4,2 kg / 9,3 lb	25 / 365	37,5 / 545	1	14	112	-	-	-	-	-
65 / ø105	EN 1092-1* PN 10/16 Type B	Aluminium	5329C-11**	1,4 kg / 3,1 lb	10 / 145	15 / 220	2	14	112	-	-	-	-	-
65 / ø105	EN 1092-1* PN 10/16 Type B	Gunmetal	5329C-22**	4,4 kg / 9,7 lb	10 / 145	15 / 220	2	14	112	-	-	-	-	-
65 / ø105	EN 1092-1 PN 10/16 Type B	Stainless steel	5329C-44**	3,9 kg / 8,6 lb	16 / 232	37,5 / 545	2	14	112	-	-	-	-	-
-- / ø105	ANSI B16.5 2 1/2" ASA 150 PSI	Aluminium	5306C-11**	1,5 kg / 3,3 lb	10 / 145	15 / 220	2	14	112	-	-	-	-	-
-- / ø105	ANSI B16.5 2 1/2" ASA 150 PSI	Gunmetal	5306C-22**	4,6 kg / 10,1 lb	10 / 145	15 / 220	2	14	112	-	-	-	-	-
-- / ø105	ANSI B16.5 2 1/2" ASA 150 PSI	Stainless steel	5306C-44**	4,0 kg / 8,8 lb	16 / 232	37,5 / 545	2	14	112	-	-	-	-	-
80 / ø105	EN 1092-1* PN 10/16 Type B	Aluminium	5340C-11**	1,7 kg / 3,7 lb	10 / 145	15 / 220	2	14	112	-	-	-	-	-
80 / ø105	EN 1092-1* PN 10/16 Type B	Gunmetal	5340C-22**	5,2 kg / 11,5 lb	10 / 145	15 / 220	2	14	112	-	-	-	-	-
80 / ø105	EN 1092-1 PN 10/16 Type B	Stainless steel	5340C-44**	4,6 kg / 10,1 lb	16 / 232	37,5 / 545	2	14	112	-	-	-	-	-
-- / ø105	ANSI B16.5 3" ASA 150 PSI	Aluminium	5405C-11**	1,5 kg / 3,3 lb	10 / 145	15 / 220	2	14	112	-	-	-	-	-
-- / ø105	ANSI B16.5 3" ASA 150 PSI	Gunmetal	5405 C-22**	4,6 kg / 10,1 lb	10 / 145	15 / 220	2	14	112	-	-	-	-	-
-- / ø105	ANSI B16.5 3" ASA 150 PSI	Stainless steel	5405C-44**	4,0 kg / 8,8 lb	16 / 232	37,5 / 545	2	14	112	-	-	-	-	-
80 / ø105	TW1 (DIN 28459)	Aluminium	5330C-11**	1,3 kg / 2,9 lb	10 / 145	15 / 220	1	14	112	-	-	-	-	-
80 / ø105	TW1 (DIN 28459)	Gunmetal	5330C-22**	3,8 kg / 8,4 lb	10 / 145	15 / 220	1	14	112	-	-	-	-	-
80 / ø105	TW1 (DIN 28459)	Stainless steel	5330C-44**	3,3 kg / 7,3 lb	10 / 145	37,5 / 545	1	14	112	-	-	-	-	-
100 / ø105	TW3 (DIN 28459)	Aluminium	7137C-11**	1,4 kg / 3,1 lb	10 / 145	15 / 220	1	14	112					
100 / ø105	TW3 (DIN 28459)	Gunmetal	7137C-11**	4,5 kg / 9,9 lb	10 / 145	15 / 220	1	14	112					

TODO-MATIC Tank Units - couplings \varnothing 119



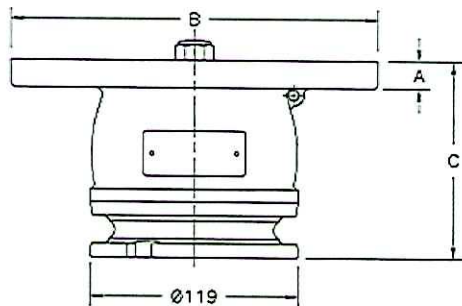
coupling pressure: 7 bar / 102 psi.
 coupling material, see page 4

* NPT thread is a tapered pipe thread, tightening on the tread. Therefore there is no flat seal.

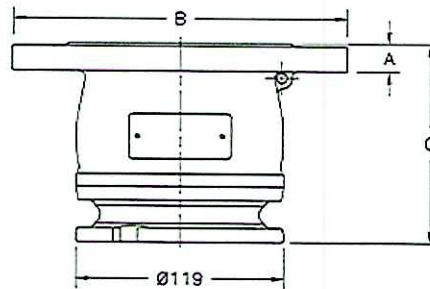
DN / Size	B (connection)	Material	Code No.	Weight	WP Bar / Psi	TP Bar / Psi	TYPE	A	C	D	E	F	G	H
80 / \varnothing 119	3" BSP (ISO 228 -G 3)	Aluminium	5531C-11**	1,2 kg / 2,6 lb	10 / 145	15 / 220	-	22	134	101	110	-	-	-
80 / \varnothing 119	3" BSP (ISO 228 -G 3)	Gunmetal	5531C-22**	3,8 kg / 8,4 lb	10 / 145	15 / 220	-	22	134	101	110	-	-	-
80 / \varnothing 119	3" BSP (ISO 228 -G 3)	Stainless steel	5531X-44**	3,7 kg / 8,2 lb	25 / 365	37,5 / 545	-	22	134	101	110	-	-	-
- / \varnothing 119	3" NPT (ANSI B2.1) *	Aluminium	7474C-11**	1,2 kg / 2,6 lb	10 / 145	15 / 220	-	32	144	101	110	-	-	-
- / \varnothing 119	3" NPT (ANSI B2.1) *	Gunmetal	7474C-22**	3,8 kg / 8,4 lb	10 / 145	15 / 220	-	32	144	101	110	-	-	-
- / \varnothing 119	3" NPT (ANSI B2.1) *	Stainless steel	7474X-44**	3,7 kg / 8,2 lb	25 / 365	37,5 / 545	-	32	144	101	110	-	-	-

TODO-MATIC Tank Units - couplings ø 119

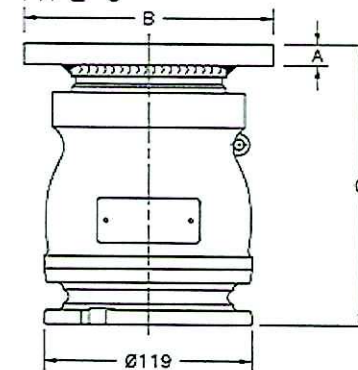
TYPE 1



TYPE 2



TYPE 3



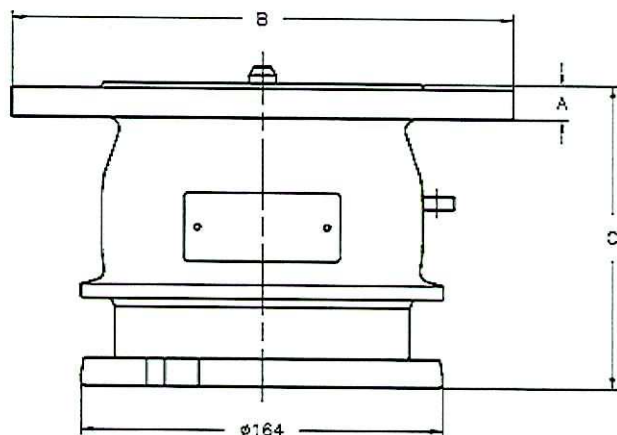
Max coupling pressure: 7 bar / 102 psi. *Drilled according to Standard only

**Sealing material, see page 4

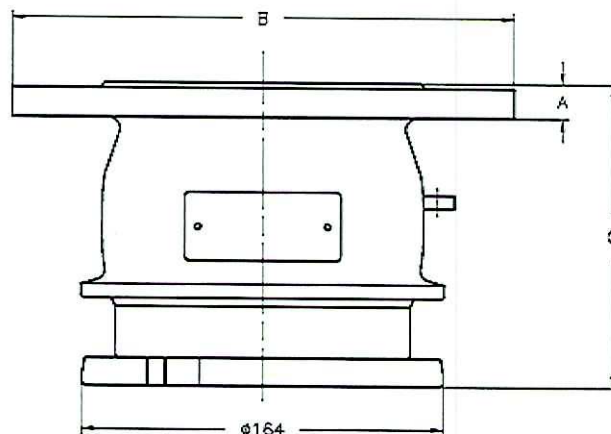
DN / Size	B (connection)	Material	Code No.	Weight	WP Bar / Psi	TP Bar / Psi	TYPE	A	C	D	E	F	G	H
-- / Ø119	Undrilled Ø220	Aluminium	5500C-11**	1,8 kg / 4,0 lb	10 / 145	15 / 220	1	14	112	-	-	-	-	-
-- / Ø119	Undrilled Ø220	Gunmetal	5500C-22**	5,6 kg / 12,3 lb	10 / 145	15 / 220	1	14	112	-	-	-	-	-
-- / Ø119	Undrilled Ø220	Stainless steel	5500D-44**	7,4 kg / 16,3 lb	25 / 365	37,5 / 545	1	16	115	-	-	-	-	-
-- / Ø119	ANSI B16.5 3" ASA 150 PSI	Aluminium	5505C-11**	1,8 kg / 4,0 lb	10 / 145	15 / 220	1	14	112	-	-	-	-	-
-- / Ø119	ANSI B16.5 3" ASA 150 PSI	Gunmetal	5505C-22**	5,6 kg / 12,3 lb	10 / 145	15 / 220	1	14	112	-	-	-	-	-
-- / Ø119	ANSI B16.5 3" ASA 150 PSI	Stainless steel	5505D-44**	7,4 kg / 16,3 lb	16 / 232	37,5 / 545	2	16	115	-	-	-	-	-
80 / Ø119	EN 1092-1* PN 10/16 Type B	Aluminium	5544C-11**	1,7 kg / 3,7 lb	10 / 145	15 / 220	1	14	112	-	-	-	-	-
80 / Ø119	EN 1092-1* PN 10/16 Type B	Gunmetal	5544C-22**	5,0 kg / 11,0 lb	10 / 145	15 / 220	1	14	112	-	-	-	-	-
80 / Ø119	EN 1092-1 PN 10/16 Type B	Stainless steel	5544D-44**	6,0 kg / 13,2 lb	16 / 232	37,5 / 545	2	16	115	-	-	-	-	-
80 / Ø119	TW1 (DIN 28459)	Aluminium	5592C-11**	1,5 kg / 3,3 lb	10 / 145	15 / 220	1	14	112	-	-	-	-	-
80 / Ø119	TW1 (DIN 28459)	Gunmetal	5592C-22**	4,2 kg / 9,3 lb	10 / 145	15 / 220	1	14	112	-	-	-	-	-
80 / Ø119	TW1 (DIN 28459)	Stainless steel	5592D-44**	6,7 kg / 14,8 lb	10 / 145	37,5 / 545	1	16	115	-	-	-	-	-
100 / Ø119	EN 1092-1 PN 10/16 Type B	Stainless steel	6855D-44**	7,0 kg / 15,4 lb	16 / 232	37,5 / 545	2	16	115	-	-	-	-	-
-- / Ø119	ANSI B16.5 3" ASA 300 PSI	Stainless steel	7505D-44**	7,2 kg / 15,9 lb	25 / 365	37,5 / 545	2	29	115	-	-	-	-	-
80 / Ø119	EN 1092-1 PN 25/40 Type F	Stainless steel	5498D-44**	7,1 kg / 15,7 lb	25 / 365	37,5 / 545	2	29	115	-	-	-	-	-
80 / Ø119	EN 1092-1 PN 25/40 Type B	Stainless steel	5503D-44**	8,4 kg / 18,5 lb	25 / 365	37,5 / 545	2	29	115	-	-	-	-	-
80 / Ø119	EN 1092-1 PN 25/40 Type E	Stainless steel	5501D-44	8,0 kg / 17,6 lb	25 / 365	37,5 / 545	2	29	115	-	-	-	-	-
100 / Ø119	TW3 (DIN 28459)	Aluminium	5546C-11**	1,7 kg / 3,7 lb	10 / 145	15 / 220	1	14	112	-	-	-	-	-
100 / Ø119	TW3 (DIN 28459)	Gunmetal	5546C-22**	4,4 kg / 9,7 lb	10 / 145	15 / 220	1	14	112	-	-	-	-	-
100 / Ø119	TW3 (DIN 28459)	Stainless steel	5546D-44**	6,5 kg / 14,3 lb	10 / 145	37,5 / 545	1	16	115	-	-	-	-	-
-- / Ø119	4" T.T.M.A (RP No. 28)	Aluminium	5820C-11**	1,7 kg / 3,7 lb	10 / 145	15 / 220	1	14	112	-	-	-	-	-
-- / Ø119	4" T.T.M.A (RP No. 28)	Gunmetal	5820C-22**	4,4 kg / 9,7 lb	10 / 145	15 / 220	1	14	112	-	-	-	-	-
-- / Ø119	4" T.T.M.A (RP No. 28)	Stainless steel	5820D-44**	3,9 kg / 8,6 lb	10 / 145	37,5 / 545	1	16	115	-	-	-	-	-
-- / Ø119	3" T.T.M.A (RP No. 28)	Aluminium	5819C-11**	1,5 kg / 3,3 lb	10 / 145	15 / 220	3	12	162	-	-	-	-	-

TODO-MATIC Tank Units - couplings \varnothing 164

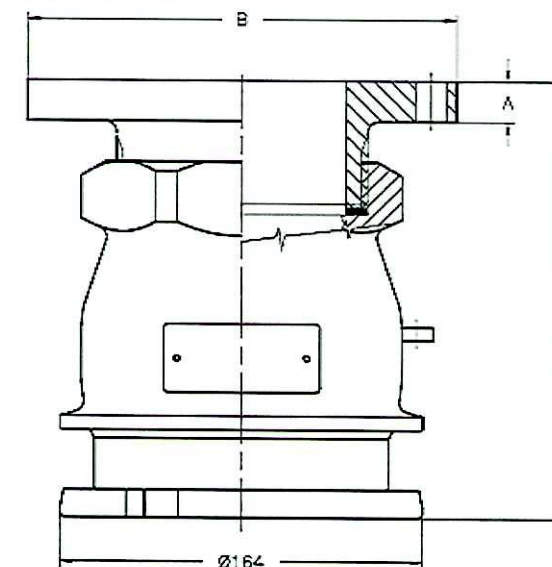
TYPE 1



TYPE 2



TYPE 3

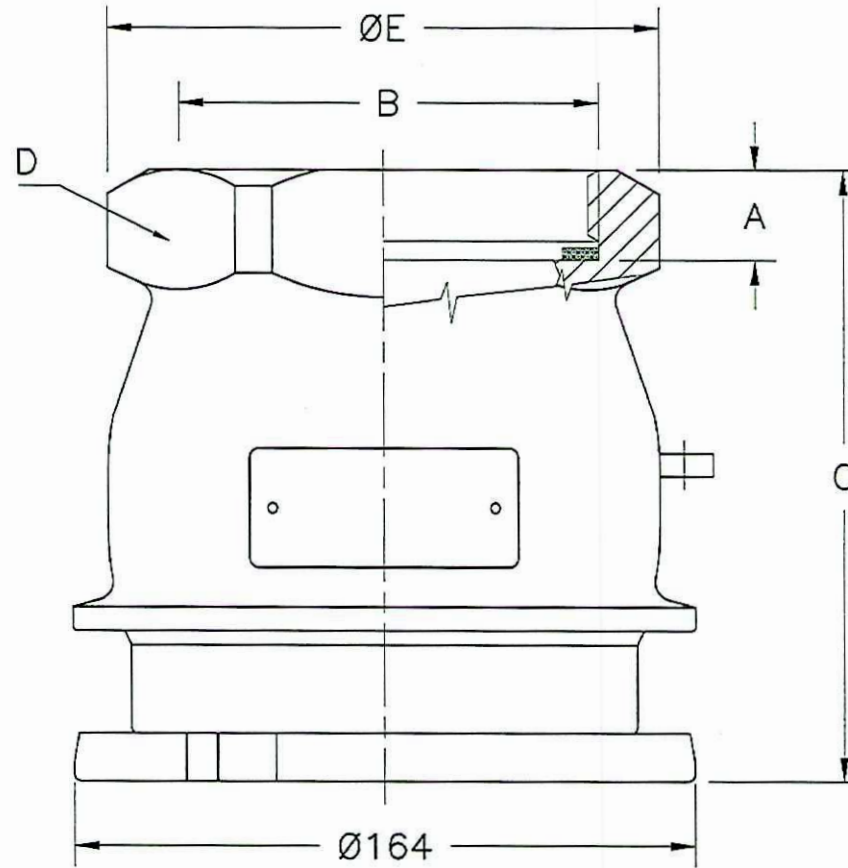


Max coupling pressure: 7 bar / 102 psi. *Drilled according to Standard only

** Sealing material, see page 4

DN / Size	B (connection)	Material	Code No.	Weight	WP _{Bar / Psi}	TP _{Bar / Psi}	TYPE	A	C	D	E	F	G	H
-- / $\varnothing 164$	ANSI B16.5 4" ASA 150 PSI	Aluminium	5600-11**	4,5 kg / 9,9 lb	10 / 145	15 / 220	1	20	138	-	-	-	-	-
-- / $\varnothing 164$	ANSI B16.5 4" ASA 150 PSI	Gunmetal	5600-22**	10,9 kg / 24,0 lb	10 / 145	15 / 220	1	20	138	-	-	-	-	-
-- / $\varnothing 164$	ANSI B16.5 4" ASA 150 PSI	Stainless steel	5800D-44**	12,0 kg / 26,5 lb	16 / 232	37,5 / 545	2	25	148	-	-	-	-	-
100 / $\varnothing 164$	EN 1092-1* PN 10/16 Type B	Aluminium	5695-11**	4,3 kg / 9,5 lb	10 / 145	15 / 220	1	20	138	-	-	-	-	-
100 / $\varnothing 164$	EN 1092-1* PN 10/16 Type B	Gunmetal	5695-22**	10,7 kg / 23,6 lb	10 / 145	15 / 220	1	20	138	-	-	-	-	-
100 / $\varnothing 164$	EN 1092-1 PN 10/16 Type B	Stainless steel	6600D-44**	11,7 kg / 25,8 lb	16 / 232	37,5 / 545	2	25	148	-	-	-	-	-
100 / $\varnothing 164$	TW3 (DIN 28459)	Aluminium	5696-11**	4,3 kg / 9,5 lb	10 / 145	15 / 220	3	15	192	-	-	-	-	-
100 / $\varnothing 164$	TW3 (DIN 28459)	Gunmetal	5696-22**	10,0 kg / 22,0 lb	10 / 145	15 / 220	3	15	192	-	-	-	-	-
-- / $\varnothing 164$	Undrilled $\varnothing 230$	Aluminium	5700-11**	4,6 kg / 10,1 lb	10 / 145	15 / 220	1	20	138	-	-	-	-	-
-- / $\varnothing 164$	Undrilled $\varnothing 230$	Gunmetal	5700-22**	11,9 kg / 26,2 lb	10 / 145	15 / 220	1	20	138	-	-	-	-	-
-- / $\varnothing 164$	Undrilled $\varnothing 230$	Stainless steel	6300D-44**	12,8 kg / 28,2 lb	25 / 365	37,5 / 545	2	25	148	-	-	-	-	-
-- / $\varnothing 164$	4" T.T.M.A (RP No. 28)	Stainless steel	5674D-44**	10,8 kg / 23,8 lb	10 / 145	37,5 / 545	2	25	140	-	-	-	-	-
-- / $\varnothing 164$	4" T.T.M.A (RP No. 28)	Aluminium	7147-11**	4,3 kg / 9,5 lb	10 / 145	15 / 220	3	15	192	-	-	-	-	-

TODO-MATIC Tank Units - couplings \varnothing 164



Max coupling pressure: 7 bar / 102 psi.

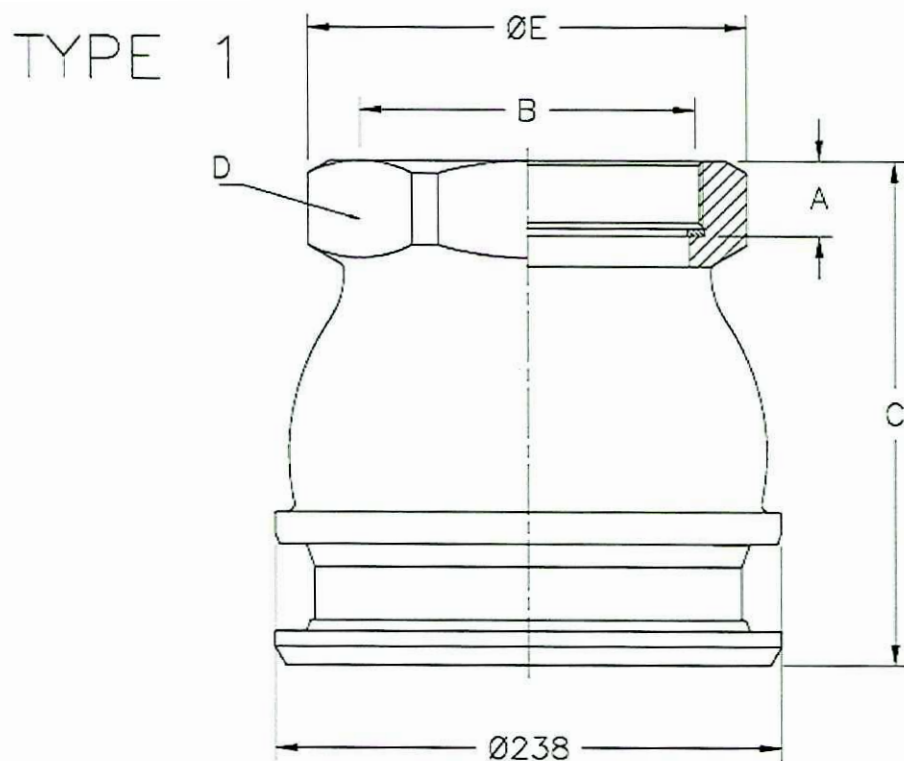
* NPT thread is a tapered pipe thread, tightening on the tread. Therefore there is no flat seal.

** Sealing material, see page 4

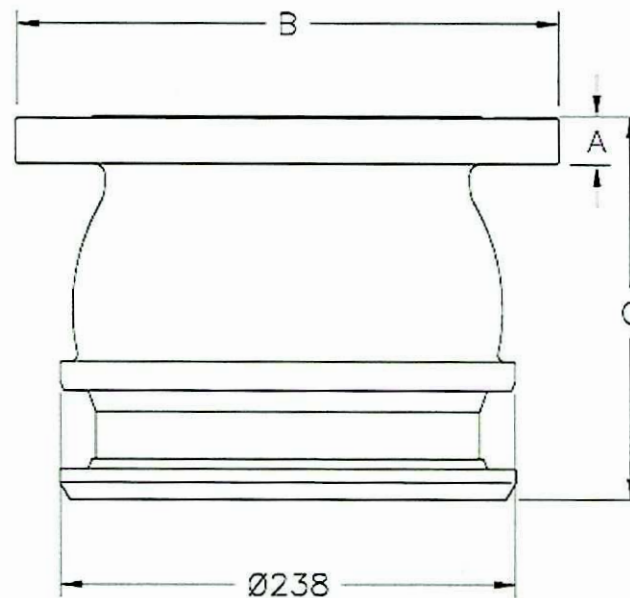
*** A = Changeable coupling flange. B = Unchangeable coupling flange.

DN / Size	B (connection)	Material	Code No.	Weight	WP Bar / Psi	TP Bar / Psi	TYPE	A	C	D	E	F	G	H
100 / \varnothing 164	4" BSP (ISO 228-G 4)	Aluminium	5631-11**	3,4 kg / 7,5 lb	10 / 145	15 / 220	A ***	24	162	130	162	-	-	-
100 / \varnothing 164	4" BSP (ISO 228-G 4)	Gunmetal	5631-22**	7,5 kg / 16,5 lb	10 / 145	15 / 220	A ***	24	162	130	162	-	-	-
100 / \varnothing 164	4" BSP (ISO 228-G 4)	Stainless steel	5830A-44**	6,9 kg / 15,2 lb	25 / 365	37,5 / 545	B ***	24	164	130	164	-	-	-
- / \varnothing 164	4" NPT (ANSI B2.1) *	Aluminium	7476-11**	3,4 kg / 7,5 lb	10 / 145	15 / 220	A ***	34	172	130	172	-	-	-
- / \varnothing 164	4" NPT (ANSI B2.1) *	Gunmetal	7476-22**	7,5 kg / 16,5 lb	10 / 145	15 / 220	A ***	34	172	130	172	-	-	-
- / \varnothing 164	4" NPT (ANSI B2.1) *	Stainless steel	7480A-44**	6,9 kg / 15,2 lb	25 / 365	37,5 / 545	B ***	34	172	130	173	-	-	-

TODO-MATIC Tank Units - couplings \varnothing 238



TYPE 2



Max coupling pressure: 7 bar / 102 psi.

***Drilled according to Standard only

* NPT thread is a tapered pipe thread, tightening on the tread. Therefore there is no flat seal.

** Sealing material, see page 4

DN / Size	B (connection)	Material	Code No.	Weight	WP Bar / Psi	TP Bar / Psi	TYPE	A	C	D	E	F	G	H
150 / \varnothing 238	6" BSP (ISO 228-G 6)	Aluminium	7210-11**	11,5 kg / 25,4 lb	10 / 145	15 / 220	1	35	239	190	200	-	-	-
150 / \varnothing 238	6" BSP (ISO 228-G 6)	Gunmetal	7210-22**	25,0 kg / 55,1 lb	10 / 145	15 / 220	1	35	239	190	200	-	-	-
-- / \varnothing 238	6" NPT (ANSI B2.1) *	Aluminium	7211-11**	10,7 kg / 23,6 lb	10 / 145	15 / 220	1	40	239	190	200	-	-	-
-- / \varnothing 238	6" NPT (ANSI B2.1) *	Gunmetal	7211-22**	25,0 kg / 55,1 lb	10 / 145	15 / 220	1	40	239	190	200	-	-	-
150 / \varnothing 238	EN 1092-1*** PN 10/16 Type B	Aluminium	7212-11**	13,0 kg / 28,7 lb	10 / 145	15 / 220	2	24	200	-	-	-	-	-
150 / \varnothing 238	EN 1092-1*** PN 10/16 Type B	Gunmetal	7212-22**	28,0 kg / 61,7 lb	10 / 145	15 / 220	2	24	200	-	-	-	-	-
150 / \varnothing 238	EN 1092-1 PN 10/16 Type B	Stainless steel	7212A-44**	26,0 kg / 57,3 lb	16 / 232	15 / 220	2	24	200	-	-	-	-	-
150 / \varnothing 238	ANSI B16.5 6" ASA 150 PSI	Aluminium	7212-11**	13,0 kg / 28,7 lb	10 / 145	15 / 220	2	24	200	-	-	-	-	-
150 / \varnothing 238	ANSI B16.5 6" ASA 150 PSI	Gunmetal	7212-22**	28,0 kg / 61,7 lb	10 / 145	15 / 220	2	24	200	-	-	-	-	-
150 / \varnothing 238	ANSI B16.5 6" ASA 150 PSI	Stainless steel	7212A-44**	26,0 kg / 57,3 lb	16 / 232	15 / 220	2	24	200	-	-	-	-	-