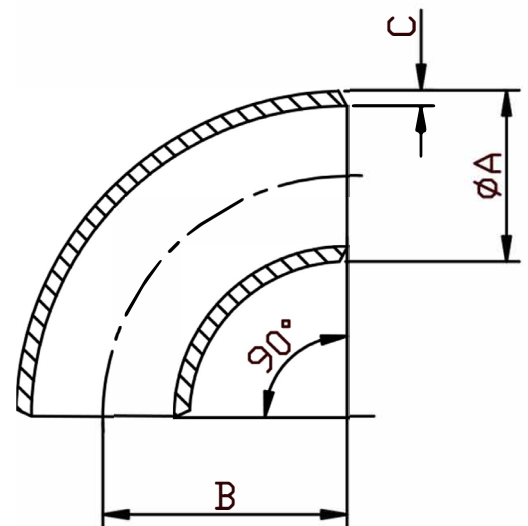


Butt Weld Pipe Fittings

Short Radius Elbow 90° Sch10 316/L

- Conforming to ASTM A403, ANSI B16.9, ANSI B16.28 and MSS SP-43
- Sizes 1/2" to 10"
- Larger sizes available
- Thicker wall sizes available
- Seamless fittings available



SIZE N.B	PART NUMBER	A	B	C	Kg/100
3/4	SSBWSR9012	26.7	28.6	2.11	7.6
1	SSBWSR9016	33.4	25.4	2.77	9.4
1 1/4	SSBWSR9020	42.1	31.8	2.77	15.2
1 1/2	SSBWSR9024	48.1	38.1	2.77	18.9
2	SSBWSR9032	60.3	50.8	2.77	31.8
2 1/2	SSBWSR9040	73.0	63.5	3.05	54.1
3	SSBWSR9048	88.9	76.2	3.05	76.1
4	SSBWSR9064	114.3	101.6	3.05	131