



Product description Distributor ZE-E

APPLICATION

The ZE-E lubricant metering elements are designed for single-line centralized lubrication systems. The quantity of lubricant to be metered is delivered after each pressure stroke.

PRODUCT CHARACTERISTICS

- Single-line distributor
- Oil
- 1 outlet
- Metered volumes 10; 25; 50; 100 and 200 mm³
- Dynamic distributor
- Material: steel

ADVANTAGES

- Precise metering
- Installation at any position
- No dripping
- Free of wear

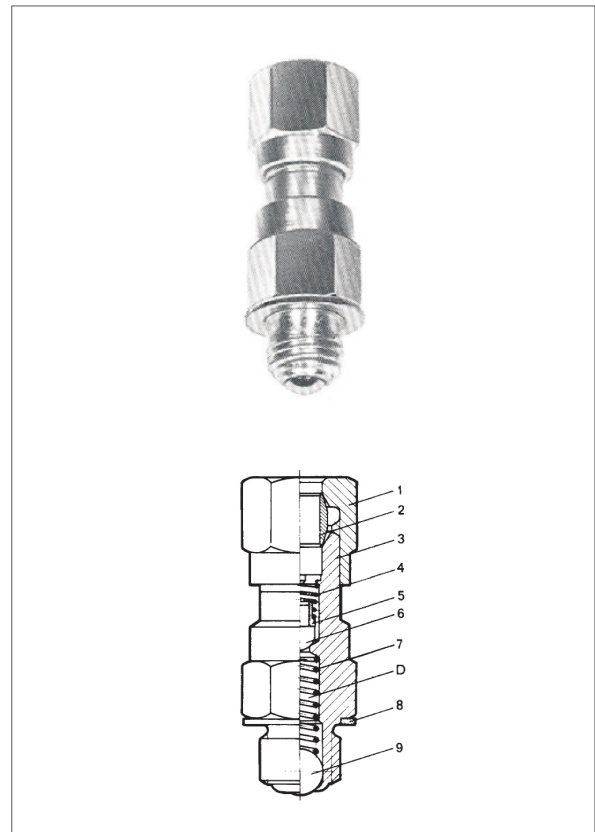
DESIGN AND FUNCTION

The metering elements are fixed on the manifold. (See separately product description with the following code: P_2006_1_GB_VZE).

Each element is suitable for 4 mm dia. pipe connection.

During the pressure stroke the ball (9) is lifted from its seat in the housing (3) and pushed up to the top against the spring force (7), and at the same time the non-return valve (5 and 6) is lifted against the spring pressure (4) thus discharging the lubricant to the greasing points.

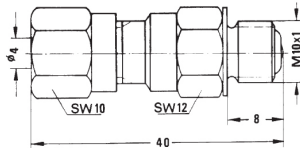
When de-pressurizing the non-return valve (5 and 6) closes first. The relief valve of the pump maintains a residual pressure of 0.8 bar in the main line. Against this pressure the ball (9) is returned to its end position by spring (7). The lubricant which remains in front of the ball (9) is being returned to the chamber (D), ready for the next cycle. The time for re-charging the lubricant is mainly determined by the operational viscosity, discharge volume and other factors. The necessary interval between two cycles ranges from 0.13 to 30 sec.





A. DISTRIBUTOR TYPE	Code
	ZEE

B. METERED VOLUME	Code
10 mm ³	01
25 mm ³	03
50 mm ³	05
100 mm ³	10
200 mm ³	20



C. REVISION	Code
Status A	A





SPECIFICATION

Working pressure : _____ 10 to 30 bar
 Relief pressure max.: _____ 0.8 bar
 Metered volume : _____ 10; 25; 50; 100 and 200 mm³
 Installation position : _____ optional
 Temperature range : _____ - 20 °C to + 80 °C
 Suitable oils : _____ 30 to 2000 mm²s⁻¹ at operating temperature
 Material : _____ steel, surface protected

EXAMPLE OF ORDER

Code				
Z	E	E	20	A

Distributor type ZE-E Code: ZEE
Metered volume Code: 20
 200 mm³
Revision Code: A
 Status A

