



G Lubricator

Remote Mounting, Sealed

Operation

The G Lubricator is a sealed piston pump that can be fed from an independent oil reservoir. In normal operation, oil is gravity-fed from reservoir to the pump. The unit may be operated by an eccentric cam or a reciprocating part of the machinery being lubricated.

Application

This model may be used independently to dispense oil to a single point or in conjunction with single line resistance type flow devices to control the oil feed to multiple points.

Technical Data

Oil Viscosity	100 to 8000 SSU (<i>contact Bijur Delimon for other viscosities</i>)
Piston Diameter	1.0"
Maximum Discharge Pressure	90 psi maximum (at full compression) 30 psi maximum (at end of stroke)
Maximum Safe Stroke Travel*	.663"
Materials	Brass body, aluminum piston, Buna N seals, Monel push rod, cast iron bracket
*Note: Stroke in excess of .72" will damage pump from piston "bottoming."	

Discharge at Various Stroke Settings

Stroke	CC per 100 Stroke	Max. Discharge Pressure
0.12"	120	40 psi
0.25"	240	50 psi
0.37"	360	61 psi
0.50"	480	72 psi
0.66" (maximum)	640	82 psi

How to Order

Name	Part #
G Lubricator	21346

When ordering, specify by name and part number, e.g. G Lubricator, Part #21346.



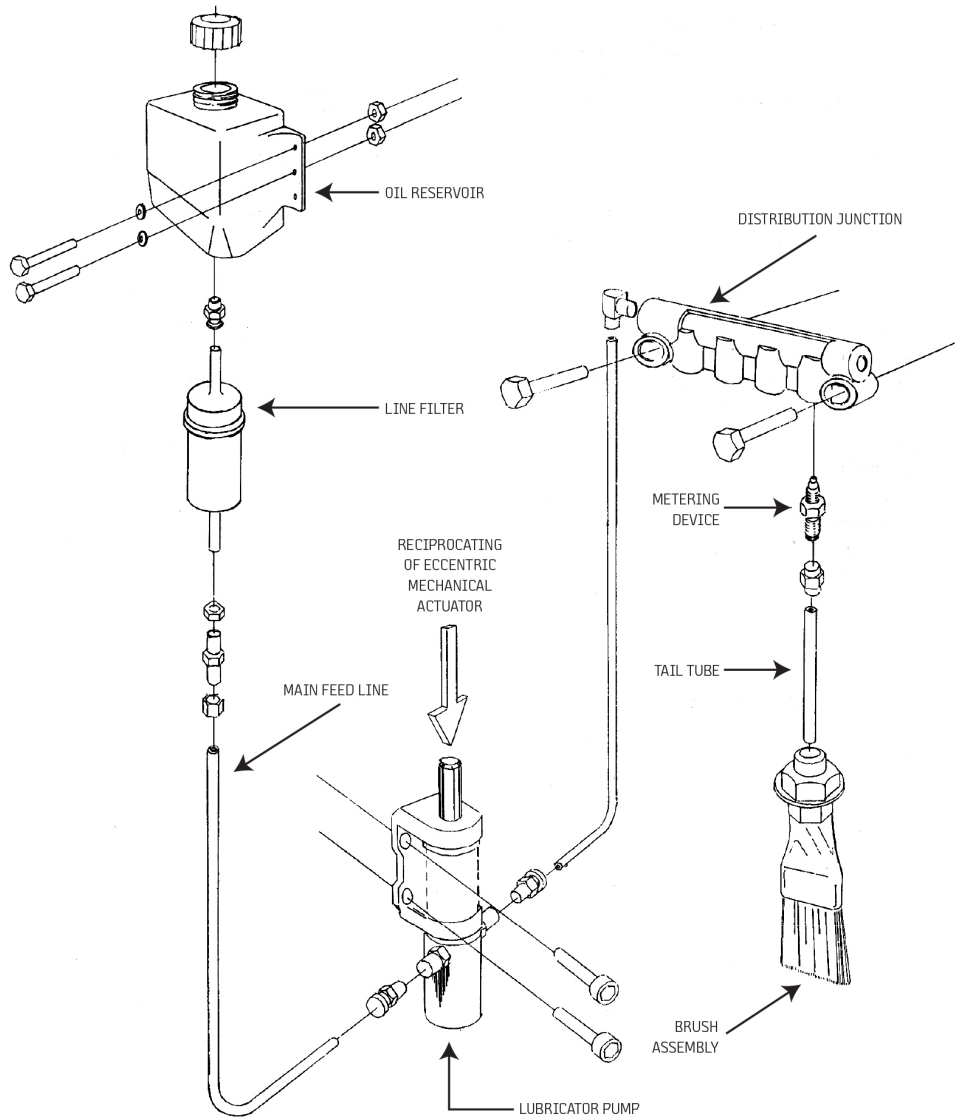
Parts Available:
+ REPAIR KIT P.N. 26348



Installation

Pump may be mounted in any orientation, provided inlet check valve is below the bottom of oil reservoir.

Installation Schematic



Customized kits available on request

Illustrations and specifications are not binding in detail. Designs are subject to modification and improvement without notice.

Drawing not to scale.

Dimensional Schematics

