

# Polypropylene Series: Cable Reels



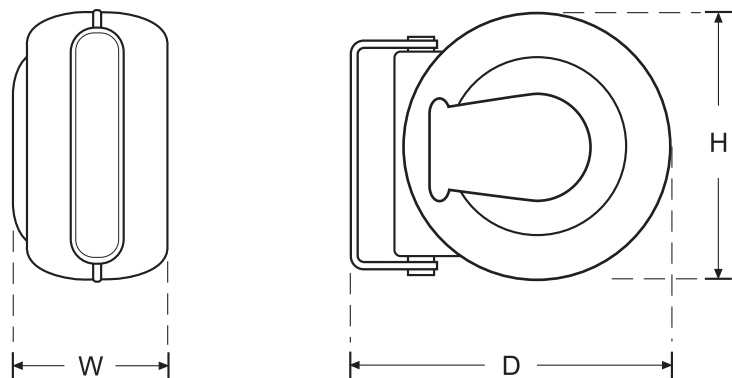
## Kiowa Roll Minor Cable Reel

The Kiowa Roll Minor compact spring rewind cable reel offers exceptional quality and value; used for storage of electrical cable. Their compact size makes them ideal for workshops, garages & assembly lines where space is limited. Units are supplied ready for fitting with main cable assembly and inlet cable as standard.

These reels are constructed in UV stabilised Polypropylene for long trouble free service.

Supplied with integral wall / overhead mounting bracket. Cable supplied: 6m x 3 Core x 1.5mm<sup>2</sup> including UK plug and trailing socket. Suitable for use with power tools, low voltage inspection lamps and other electrical appliances.

### Applications



### Features and Benefits

- Constructed in tough UV stabilised Polypropylene
- Supplied with 6m fitted cable
- Latching of cable at any length
- Free run option available
- Low-effort rewind tension
- Pivoting wall bracket as standard
- Ideal for workshops and assembly lines
- Virtually maintenance free
- Supplied with UK standard plug & trailing socket
- 12 month manufacturer's warranty

Product Code	Cable Length m	Max Voltage v	Cores	Max Wattage w	Weight kg	Height (H) mm	Width (W) mm	Depth (D) mm
HR-C-6-3-C	6	240	3 core x 1.5mm <sup>2</sup>	800/2000	2	180	130	225