

Hi-Visibility: Hose Reels



Kiowa Hi-Visibility 80 Bar Hose Reel

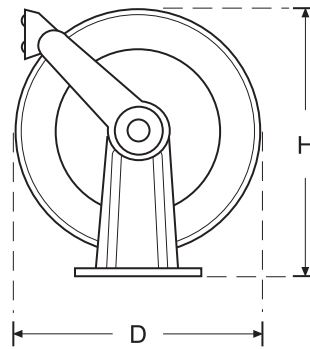
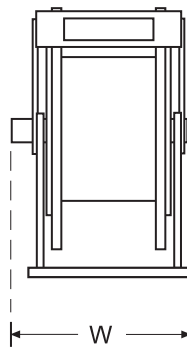
The Kiowa, Hi-Visibility spring rewind hose reels are constructed in heavy gauge powder coated Mild Steel. The superior twin pedestal design and quality component parts give long term, trouble free service for all industry standards. Adjustable full width roller guides will prolong the hose assembly's working life. Ribbed guide arms give ultimate rigidity during hose pay out and retrieval. Durable Nylon hub assemblies allow the main drum to rotate straight and true. Pressures are standard up to 1160psi (80 Bar). All units are supplied as bare reels. Please contact our sales team for various hose combinations.

Applications

-  AIR
-  HOT WATER
-  OIL
-  COLD WATER
-  DIESEL

Features and Benefits

- Constructed in heavy duty powder coated Mild Steel
- Twin pedestal design
- Full width roller guide
- Optional pivoting wall brackets also available
- Choice of floor, wall or ceiling mount positions
- 1160psi (80 Bar) working pressure
- Durable Nylon bearing assemblies
- Yellow, Hi-Vis, powder coated paint finish
- Various optional hose assemblies available on request
- 12 month manufacturer's warranty



Product Code	Hose ID mm	Hose Length m	Working Pressure Bar	Inlet BSP	Outlet BSP	Weight kg	Height (H) mm	Width (W) mm	Depth (D) mm
HR-AV1200FE	19	10-12	80	1" (M)	3/4" (F)	14	480	290	500
HR-AV1200-1FE	25	6-8	80	1" (M)	1" (F)	14	480	290	500
HR-AV1300FE	19	15-18	80	1" (M)	3/4" (F)	22	480	480	500
HR-AV1300FE	25	12-15	80	1" (M)	1" (F)	22	480	480	500
HR-AV3501FE	19	18-20	80	1" (M)	3/4" (F)	28	600	310	590
HR-AV3502FE	19	22-25	80	1" (M)	3/4" (F)	28	600	360	590

*It is possible to reduce metres of hose fitted to a reel to be below the maximum capacity. On some reels we can fit a longer length of a smaller bore hose as highlighted.