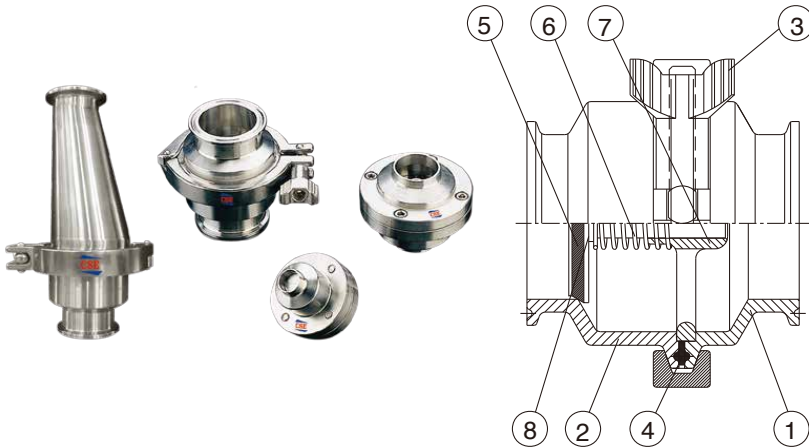


Non Return Valve (Check Valve)



NO.	NAME
1	Short Body
2	Long Body
3	Clamp
4	13PG
5	Seal-Ring
6	ST.ST Spring
7	Flow Support Plate
8	Disc



CSE Check Valve :

Materials

Steel parts : Stainless steel SS316(L)
 Seal rings : EPDM Rubber or Silicone/Viton (FKM)
 Finish : OD \leq 0.8 , ID \leq 0.8 or 0.4 μ m

Connections

The valve is available with welding ends for tubing according to 3A, SMS, BS, DIN 11851

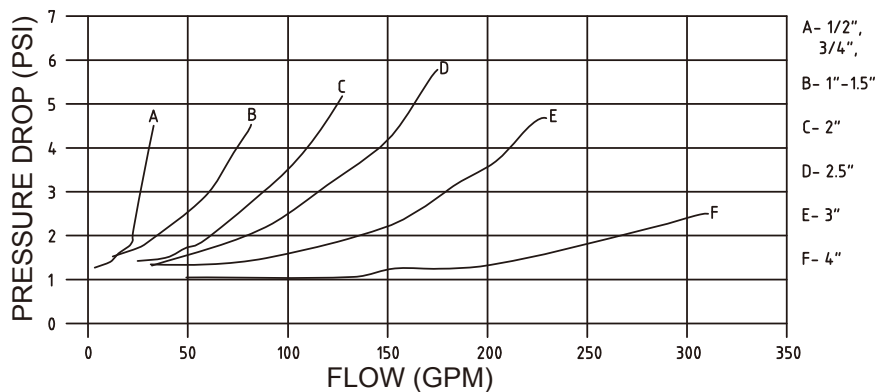
Technical data

Required different pressure for opening the valve fitted in a vertical pipe, as shown in fig.3, the open pressure Max. product pressure : 1000kpa(10bar)

Material grades

Gasket-Body:EPDM/Silicone/Viton (FKM)/NBR/PTFE
 Flow Area-EPDM/Silicone/Viton (FKM)

SPRING CHECK VALVE flow rate (fig 3)



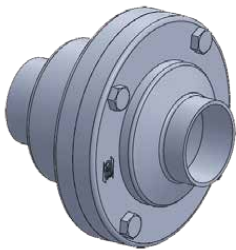
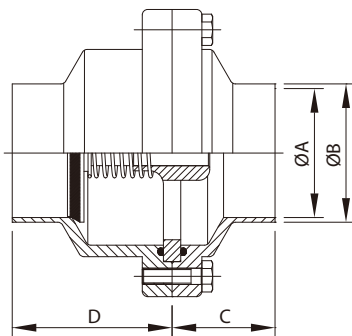
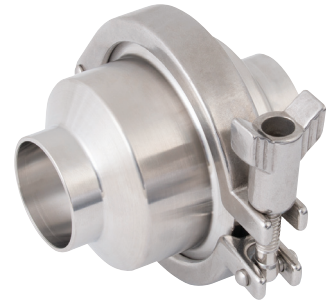
Note:
 For the diagram the following applies:
 Medium : Water(20°C)

Oper pressure (PSI)

1/2"	3/4"	1"	1 1/2"	2"	2 1/2"	3"	4"
0.5	0.5	3.0	1.6	0.6	1.3	0.8	0.9

Open Pressure (fig.1)

Non Return Valve (Check Valve)



CHECK VALVE MIDDLE FLANGE TYPE/WELD END

3A/BS	ØA	ØB	C	D
1/2"	9.4	12.7	23	34
3/4"	15.8	19.05	23	34
1"	22.1	25.4	34	48
1.5"	34.8	38.1	36	48
2"	47.5	50.8	36	48
2.5"	60.2	63.5	36	48
3"	72.9	76.2	36	48
4"	97.6	101.6	47	54

SMS	ØA	ØB	C	D
DN25	22.5	25	34	48
DN38	35.5	38	36	48
DN50	48.5	51	36	48
DN63	60.3	63.5	36	48
DN76	72.1	76.1	36	48
DN100	100	104	47	54

DIN	ØA	ØB	C	D
DN25	25	28	34	48
DN32	31	34	36	48
DN40	37	40	36	48
DN50	49	52	36	48
DN65	66	70	36	48
DN100	100	104	47	54