



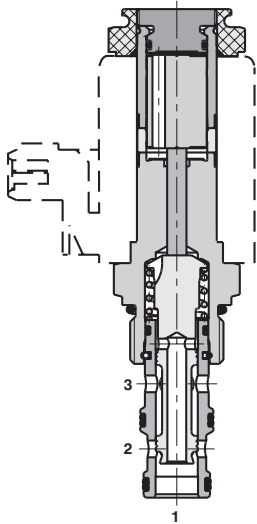
## SD2E-B3

### 3/2 Directional Valve, Solenoid Operated, Spool-Type, Direct-Acting



- 7/8-14 UNF
- $Q_{\max}$  60 l/min (16 GPM)
- $p_{\max}$  350 bar (5100 PSI)

## Lightline



## Technical Features

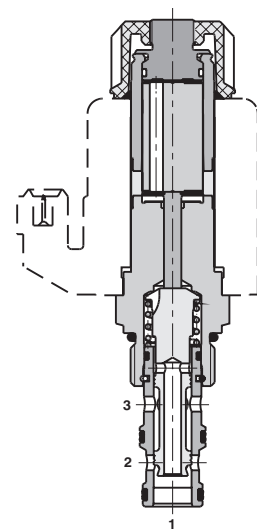
- › Hardened precision parts
- › High flow capacity
- › High transmitted hydraulic power
- › Wide range of manual overrides available
- › All ports may be fully pressurized
- › Variety of optional spools available
- › Coil interchangeability among SD\*-B\* product line
- › Standard version zinc-coated with surface protection acc. to ISO 9227 (240 h salt spray)

## Functional Description

3-way, 2-position high pressure directional spool valve in form of a screw-in cartridge. The valve is used mainly to direct flow to actuators.

Model Code	2D21	2D25	2D26
Symbol			

## High performance



## Technical Data

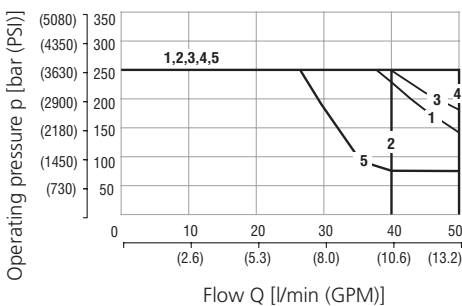
Valve size / Cartridge cavity		7/8-14 UNF-2A / B3	
		Lightline	High performance
Max. flow	l/min (GPM)	50 (13.2)	60 (15.9)
Max. operating pressure	bar (PSI)	250 (3630)	350 (5080)
Fluid temperature range	°C (°F)	-20...60 (-4...140)	-20...80 (-4...176)
Ambient temperature range	°C (°F)	-20...50 (-4...122)	-20...80 (-4...176)
Supply voltage tolerance	%	AC, DC: ± 10	AC, DC: ± 15
Max. switching frequency	1/h	15 000	
Mass without coil	kg (lbs)	0.24 (0.53)	0.31 (0.68)

		Datasheet	Type	
General information		GI_0060	Products and operating conditions	
Coil types		C_8007	C19B*	C22B*
Valve bodies	In-line mounted	SB_0018	SB-B3*	
	Sandwich mounted	SB-04(06)_0028	SB-*B3*	
Cavity details / Form tools		SMT_0019	SMT-B3*	
Spare parts		SP_8010		

## Characteristics measured at v = 32 mm<sup>2</sup>/s (156 SUS)

### Operating limits - Lightline

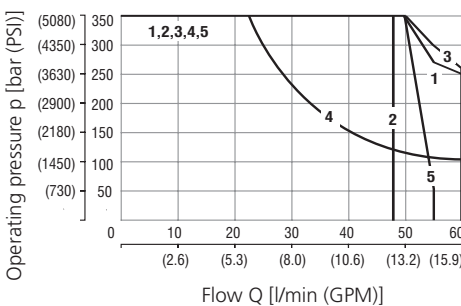
Oil 60 °C (140 °F) / Ambient temperature  
50 °C (122 °F) / Voltage U<sub>n</sub> -10% (21.6 VDC)



	Model	Connection
1	2D21	3→2
2	2D21	2→1
3	2D25	3→2
4	2D25	2→1
5	2D26	3→2
2	2D26	2→1

### Operating limits - High performance

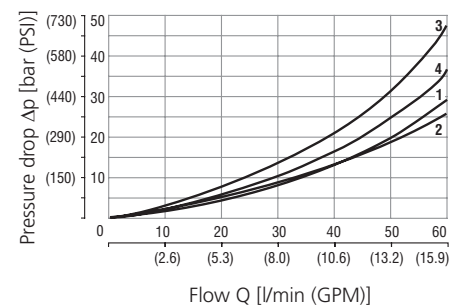
Oil 80 °C (176 °F) / Ambient temperature  
50 °C (122 °F) / Voltage U<sub>n</sub> -10% (21.6 VDC)



	Model	Connection
1	2D21	3→2
2	2D21	2→1
3	2D25	3→2
5	2D25	2→1
4	2D26	3→2
5	2D26	2→1

### Pressure drop related to flow rate

- Lightline, High performance

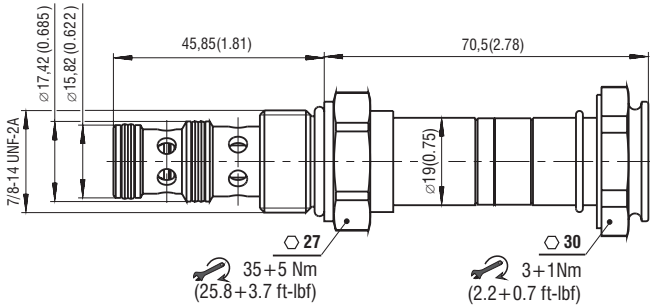


	Model	Connection
1	2D21	2→1
2	2D21	3→2
3	2D25	3→2
4	2D25	2→1
1	2D26	3→2
1	2D26	2→1

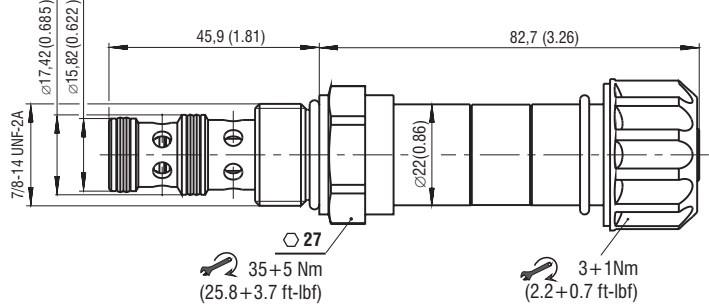
For operating limits under conditions and flow directions other than shown contact our technical support.

**Dimensions** in millimeters (inches)

**Lightline**



**High performance**



**Manual Override** in millimeters (inches)

No designation - standard	Designation M2 - rubber boot protected	Designation M5 - socket head screw, size 2.5	Designation M9 - without manual override
<p>L ~ 70,5 (2.78) H ~ 82,7 (3.26)</p>	<p>L ~ 82,0 (3.23) H ~ 100,0 (3.94)</p>	<p>L ~ 78,1 (3.07) H ~ 84,8 (3.34)</p>	<p>L ~ 70,5 (2.78) H ~ 82,7 (3.26)</p>

In case of solenoid malfunction or power failure, the spool of the valve can be shifted by manual override as long as the pressure in port T does not exceed 25 bar (363 PSI). For alternative manual overrides contact our technical support.

**Ordering Code**

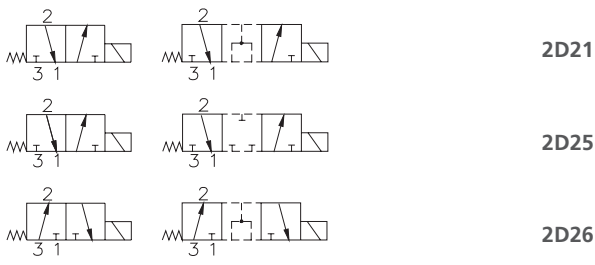
**SD2E-B3** /     -

**3/2 directional valve, solenoid operated, spool-type, direct-acting, 7/8-14 UNF**

Lightline  
High performance

L  
H

**Model**



**Surface treatment**  
**A** zinc-coated (ZnCr-3), ISO 9227 (240 h)  
**B** zinc-coated (ZnNi), ISO 9227 (520 h)

**No designation**  
**V**

**Seals**  
 NBR  
 FPM (Viton)

**No designation**  
**M2**  
**M5**  
**M9**

**Manual override**  
 standard  
 rubber boot protected  
 socket head screw  
 without manual override