



## SR1A-A2

### Pressure Relief Valve, Poppet-Type, Direct-Acting



- 3/4-16 UNF
- $Q_{\max}$  30 l/min (8 GPM)
- $p_{\max}$  350 bar (5100 PSI)

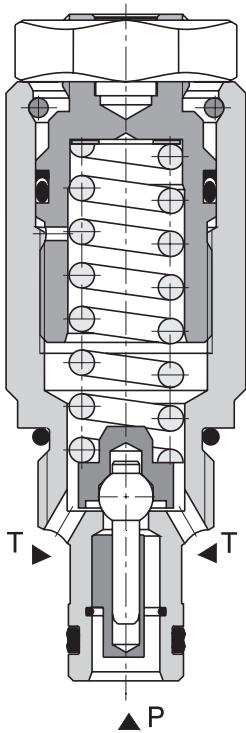
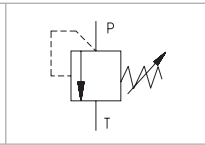
## Technical Features

- › Excellent stability throughout flow range with rapid response to dynamic pressure changes
- › Low hysteresis, accurate pressure control and low pressure drop through CFD optimized flow paths
- › Wide pressure range up to 350 bar
- › Hardened precision parts
- › Sharp-edged steel seats for dirt-tolerant performance
- › Leak-free closing, suitable for fast cycling with long life
- › Adjustable by allen key or hand screw
- › In the standard version, the valve is zinc-coated for 240 h protection acc. to ISO 9227

## Functional Description

A poppet-type, direct-acting hydraulic relief valve in the form of a screw-in cartridge intended for use as a pressure limiting device for common hydraulic circuit protection. The spring acts on the poppet and presses it onto the valve seat. If the hydraulic pressure is below the pre-set value, the valve is closed. If the hydraulic force exceeds the pre-set value the valve opens and flow passes to the tank port until the system pressure falls below the spring pre-set value and the valve closes again.

Symbol



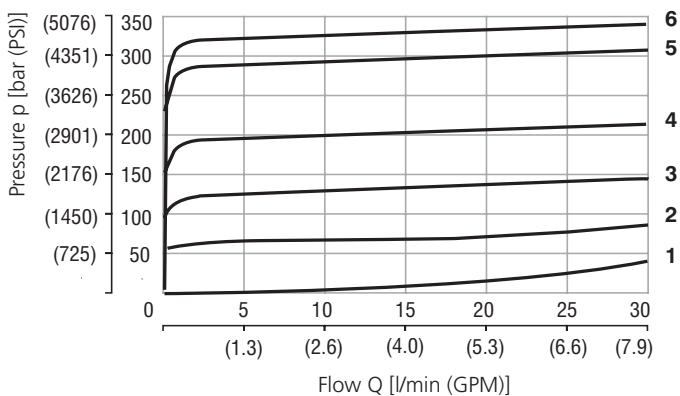
## Technical Data

Valve size / Cartridge cavity		3/4-16 UNF-2A / A2
Max. flow	l/min (GPM)	30 (7.9)
Max. operating pressure	bar (PSI)	350 (5080)
Max. pressure (port T)	bar (PSI)	160 (2320)
Fluid temperature range (NBR)	°C (°F)	-30 ... +100 (-22 ... 212)
Fluid temperature range (FPM)	°C (°F)	-20 ... +120 (-4 ... 248)
Mass	kg (lbs)	0.13 (0.29)

		Datasheet	Type
General information		GI_0060	Products and operating conditions
Valve bodies	In-line mounted	SB_0018	SB-A2*
	Sandwich mounted	SB-04(06)_0028	SB-*A2*
Cavity details / Form tools		SMT_0019	SMT-A2*
Spare parts		SP_8010	

**Characteristics** measured at  $v = 32 \text{ mm}^2/\text{s}$  (156 SUS)

### Relief pressure related to flow rate



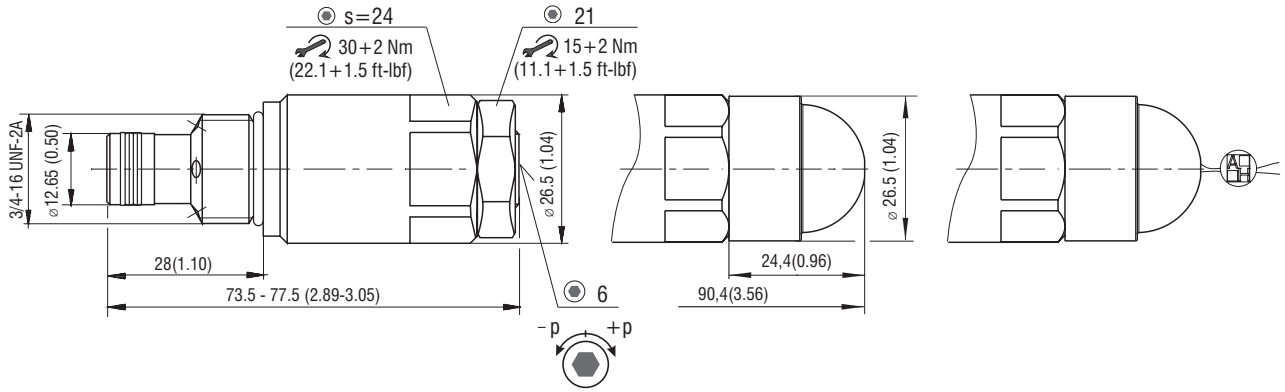
	Pressure range
6	35
5	25
4	16
3	10
2	6
1	Min. pressure setting

**Dimensions** in millimeters (inches)

Model S

Model T

Model L



**Ordering Code**

SR1A-A2 /     -

Pressure relief valve, poppet-type, direct-acting  
3/4-16 UNF

Model  
Lightline

**Pressure range**  
up to 63 bar (914 PSI)  
up to 100 bar (1450 PSI)  
up to 160 bar (2320 PSI)  
up to 250 bar (3630 PSI)  
up to 350 bar (5080 PSI)

6  
10  
16  
25  
35

No designation  
V

S  
T  
L

**Adjustment option**  
allen key (hex. 6), without protective cap  
allen key (hex. 6), with protective cap  
allen key (hex. 6), with protective cap, sealable (lockwire holes)

**Surface treatment**

A zinc-coated (ZnCr-3), ISO 9227 (240 h)  
B zinc-coated (ZnNi), ISO 9227 (520 h)

**Seals**

NBR  
FPM (Viton)