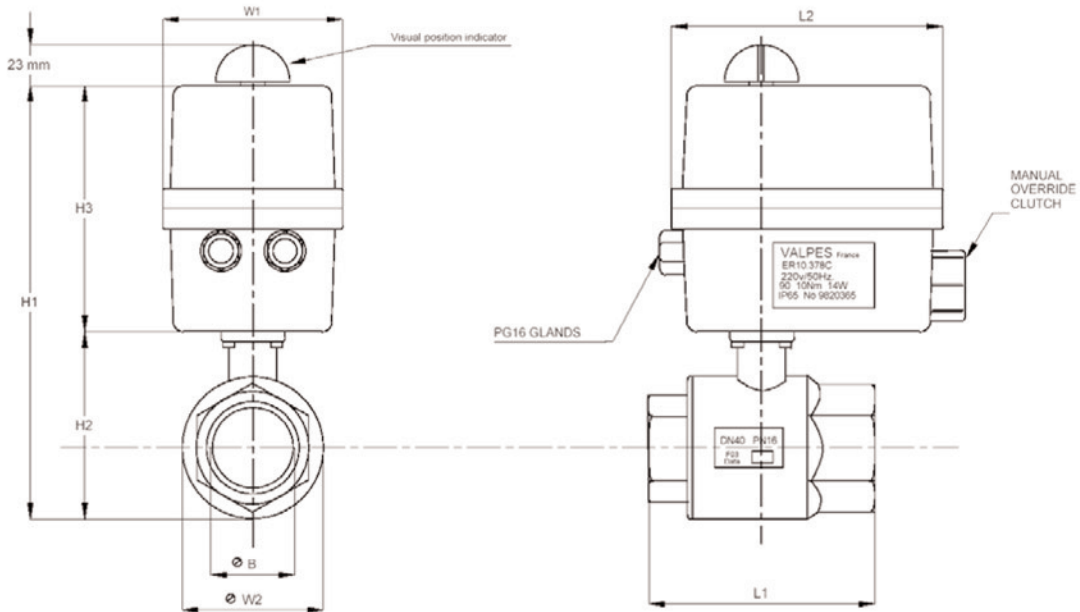


E101

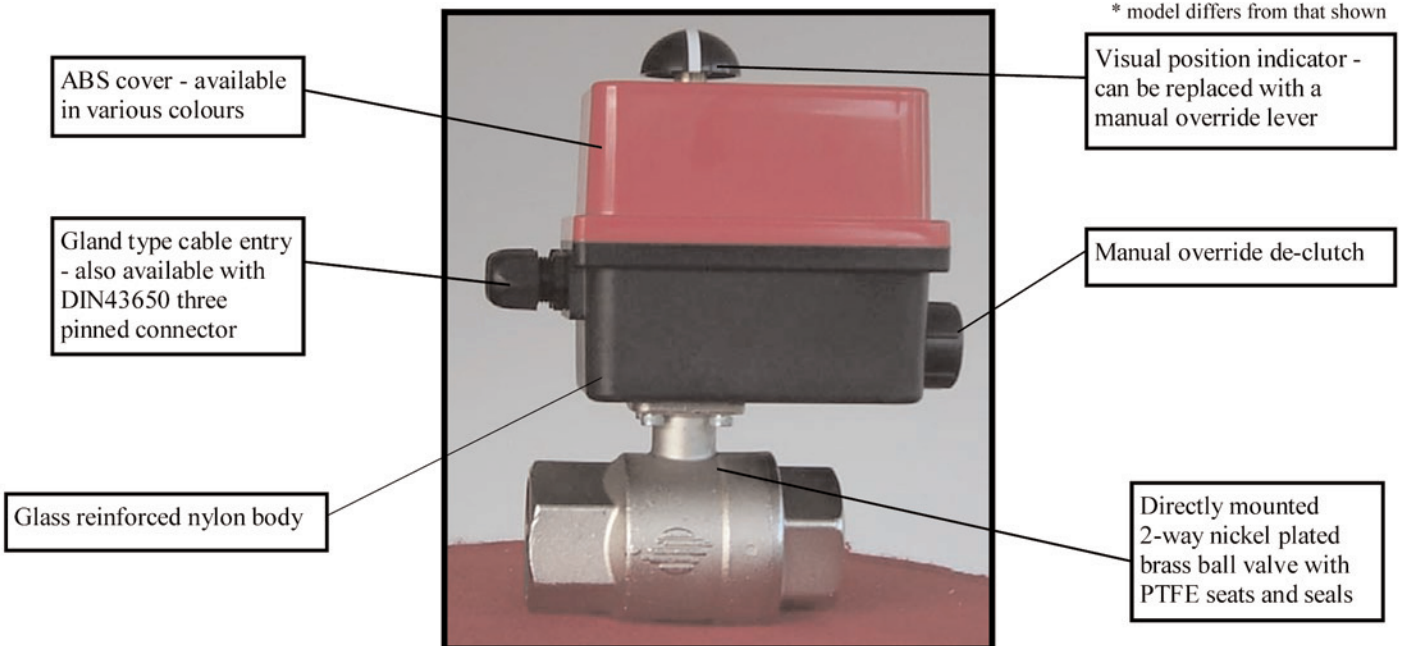
ELECTRIC ACTUATOR & NICKEL PLATED BRASS BALL



Dimensions

PART REFERENCE	E101H003	E101H004	E101H005	E101H006	E101H007	E101H008	E101H009	E101H010	E101H011
ACTUATOR TYPE	ER10	ER10	ER10	ER20	ER20	ER35	ER45	ER100	VS150 *
Size	3/8"	1/2"	3/4"	1"	1 1/4"	1 1/2"	2"	2 1/2"	3"
øB	10	15	20	25	32	40	50	50	50
L1	69	69	77	89	103	114	134	161	185
L2	136	136	136	136	136	136	151	151	Ø170
H1	170.4	170.4	180.3	188.2	205.5	217.3	233.6	291	315.7
H2	46.4	46.4	56.3	64.2	81.5	93.3	109.6	139.0	163.7
H3	124	124	124	124	124	124	152	152	258
W1	92	92	92	92	92	92	128	128	Ø170
øW2	31.8	31.8	40.0	48.0	60.0	70.6	88.5	112.0	138.4
Operating Time 230-110V 50Hz	25 secs	25 secs	25 secs	20 secs	20 secs	35 secs	20 secs	35 secs	30 secs
Operating Time 24V AC/DC	10 secs	10 secs	10 secs	4 secs	4 secs	8 secs	10 secs	30 secs	30 secs
Operating Time 12V AC/DC	25 secs	25 secs	25 secs	8 secs	8 secs	16 secs	20 secs	45 secs	30 secs

* model differs from that shown

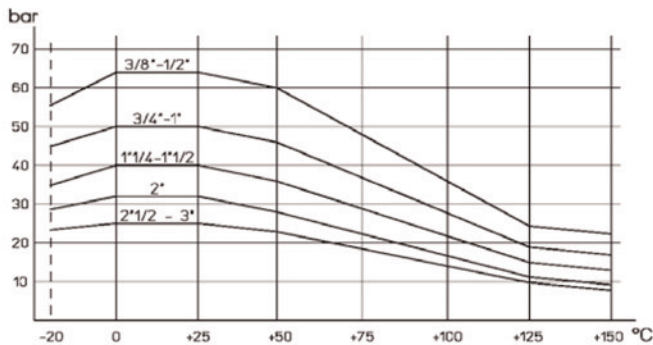


E101

ELECTRIC ACTUATOR & NICKEL PLATED BRASS BALL

Valve Features

- 2-way nickel plated ball valve. Full-bore.
- The valve is suitable for medium pressures on condition that non-aggressive fluids are used.
- Working temperature: from -20°C to +150°C for fluids. Working pressure: see diagram below.
- Suitable for use with water, oil, gas and light applications.



Valve Materials			
1	Shaft	Brass-nickel plated	JUNI 5706-65
2	O-Ring	Viton	
3	Top sealing	PTFE	
4	O-Ring	Viton	
5	Seals	PTFE	
6	Ball	Brass-chrome plated	JUNI 5706-65
7	Body	Brass-nickel plated	JUNI 5706-65
8	Threaded end	Brass-nickel plated	JUNI 5706-65

Actuator Features

- 90° ABS cover & glass reinforced nylon body
- Working temperature -10°C to +55°C
- Available in 230/110V AC (50% duty) or 24/12V AC/DC (30% duty)
- Enclosure rating: IP65
- Standard equipment: CE marked
- 2 adjustable limit switches with SPDT volt free contacts
- Visual position indicator/manual override handle
- Torque limiter

Options

- ATEX explosion proof actuator
- Electrical connectors to DIN 43650
- 10W anti-condensation heater
- 4-20mA/0-10v positioning system
- Failsafe module
- Potentiometer for position feedback
- 3 position system

